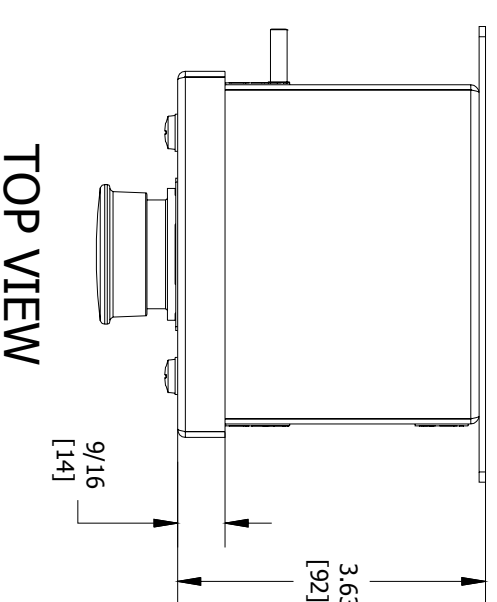


| ENCLOSURE INFORMATION               |  |
|-------------------------------------|--|
| P/N:                                | DESCRIPTION:                                   |
| 23831GBAM                           | BOX SST 1F 1b, 3/4 NPT BOTTOM                  |
| 23804BAB                            | COVER SST 1F 1b, ONE DEVICE                    |
| HKHMBRKT                            | HKH PANEL MOUNT BRACKET, C. B. & P. L. (1 PL.) |
| MOUNT METHOD:                       |  |
| HKH1BSP2M11BK8                      |  |
| AC690V 16A AC-12                    |  |
| AC230V 16A AC-15                    |  |
| 50-60HZ                             |  |
| DC60V 5A DC-13                      |  |
| TERMINALS RATED FOR 1-2 CONDUCTORS  |  |
| #22-10 AWG. (0.5-4mm <sup>2</sup> ) |  |
| P/N:                                | DESCRIPTION:                                   |
| HKHBMNR                             | MOMENTARY PUSHBUTTON, MUSHROOM HD, RED         |
| 2322SCAB                            | STOP   |
| LOCKOUT ACY:                        |  |
| NONE                                |  |
| CONTACT 1:                          |  |
| HKHINO20P                           | CONTACT BLCK, FACT SEALED N.O. PM, 20A         |
| CONTACT 2:                          |  |
| HKHINC20P                           | CONTACT BLCK, FACT SEALED N.O. PM, 20A         |

CONTACT BLOCK RATINGS:  
690 VAC, 20A, 50-60  
60 VDC, 5A, 110VDC, 1.5A

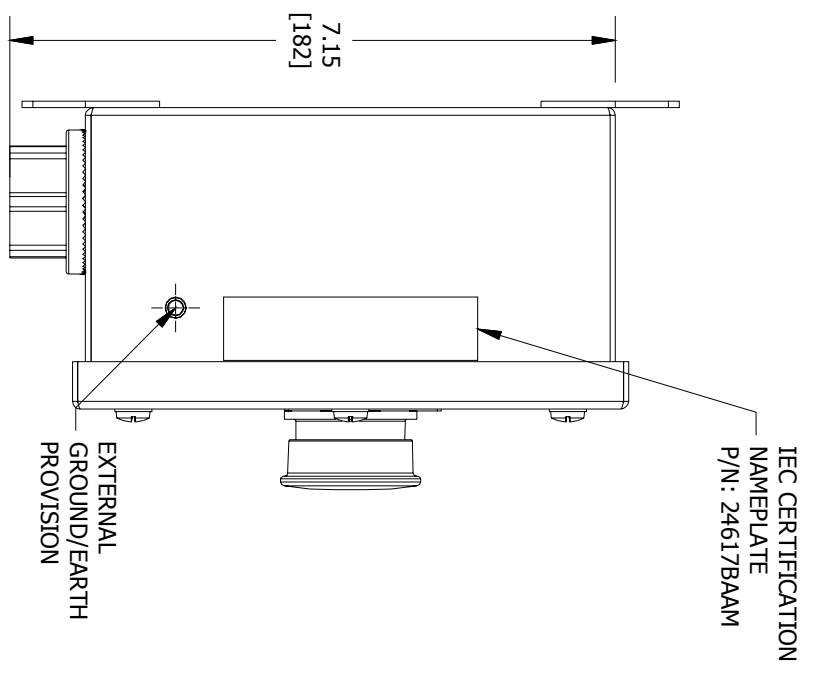
1/2 HP @ 120 VAC, 1 HP @ 208/240/277VAC  
NEMA A600/P600 - PILOT DUTY  
350VAC, 20A - TUNGSTEN  
AC690V 16A AC-12  
AC230V 16A AC-15

TERMINALS RATED FOR 1-2 CONDUCTORS  
#22-10 AWG. (0.5-4mm<sup>2</sup>)

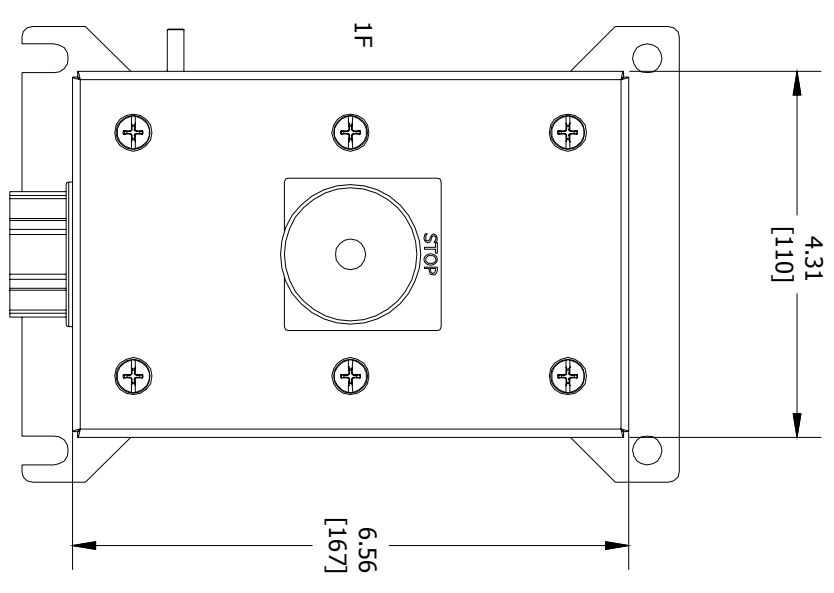


TOP VIEW

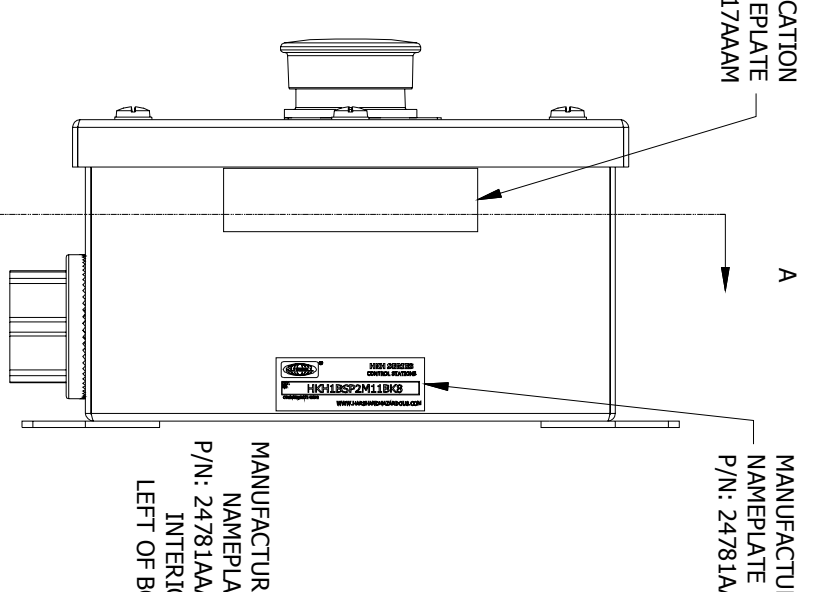
|  |  |                      |               |
|--|--|----------------------|---------------|
|  | CAT. NO.   | <b>HKHMOD Series</b> | DATE CODE/S/N |
|  | Harsh & Hazardous<br>WWW.HARSHANDHAZARDOUS.COM   |                      |               |
|  | INDUSTRIAL CONTROL EQUIPMENT FOR USE IN ZONE CLASSIFIED HAZ. LOCS.<br>CLASS I, ZONE 1, AEx de IIC T6...T4 Gb; Ex de IIC T6...T4 Gb<br>ZONE 21, AEx tb IIC T85°C...T135°C Db IP66; Ex tb IIIC T85°C...T135°C Db IP66<br>CLASS I, DIV 2, GRPS. A,B,C,D; CLASS II, DIV.1, GRPS. E,F,G (CANADA ONLY)<br>CLASS II, DIV.2, GROUPS E,F,G; CLASS III<br>CLASS III; TYPE 3/4/4X/12/13; -50°C ≤T <sub>a</sub> ≤+60°C |                      |               |
|  | SEE IOM FORM K1466 FOR ELECTRICAL RATINGS.   |                      |               |
|  | TR RU C-US; MIO62.B.04167 IEX 16:0079 INMETRO  |                      |               |
|  | SEE IOM FORM K1466 FOR ELECTRICAL RATINGS.   |                      |               |



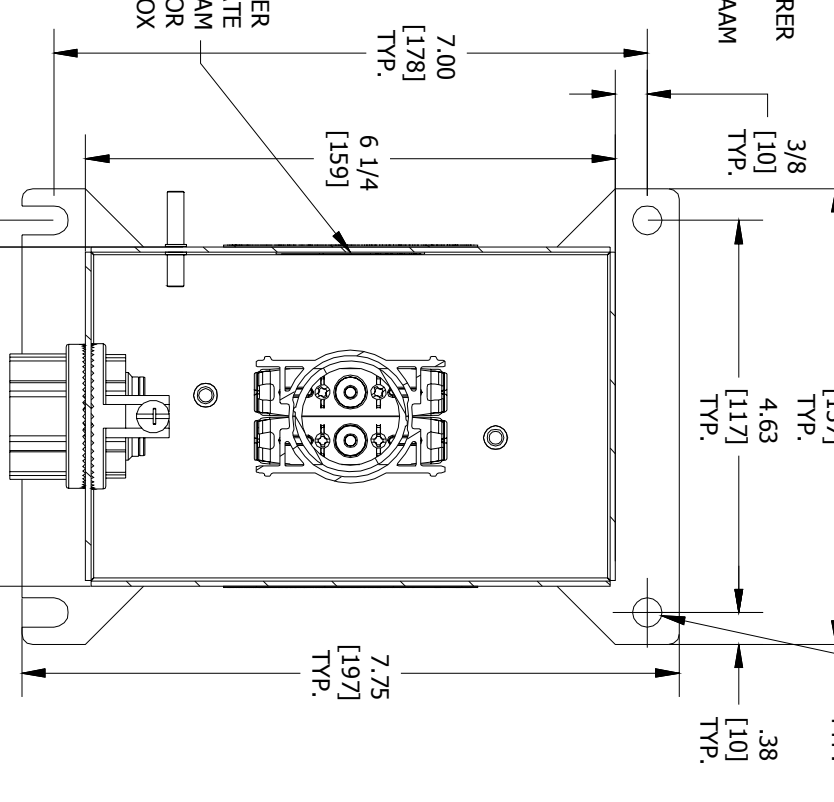
LEFT SIDE VIEW



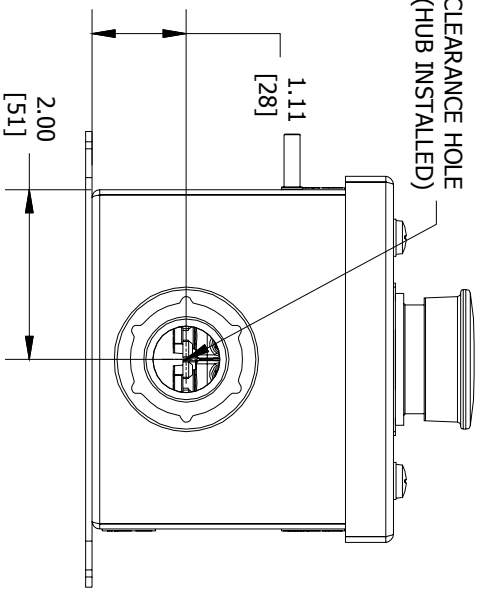
FRONT VIEW



RIGHT SIDE VIEW



SECTION A-A VIEW



BOTTOM VIEW

|          |      |       |   |           |            |                |       |
|----------|------|-------|---|-----------|------------|----------------|-------|
| COMMENT: | SGN: | DATE: | ACCEPTANCE:   | DRAWN BY: | DATE:      | DWG NUMBER:    | ITEM: |
|          |      |       | CODE 1: APPROVED (NO COMMENTS)                                      | PR        | 10-04-2016 | HKH1BSP2M11BK8 | N/A   |
|          |      |       | CODE 2: APPROVED FOR MANUFACTURING WITH COMMENTS TO BE INCORPORATED |           |            |                |       |
|          |      |       | CODE 3: NOT APPROVED RE-SUBMIT                                      |           |            |                |       |
|          |      |       | CODE 4: FOR INFORMATION ONLY  |           |            |                |       |

| ENTRY HUB/GLAND SELECTION CHART* |             |
|----------------------------------|-------------|
| ENTRY NO.                        | HUB/GLAND:  |
| ENTRY 1                          | K8: WH-2SSG |

\*HUBS & CABLE GLANDS ARE SHIPPED WITH ENCLOSURE

HKH SERIES  
CONTROL STATIONS

CONTROL NO.: **HKH1BSP2M11BK8**

COUNT/DATE CODE

WWW.HARSHANDHAZARDOUS.COM

MFG. NAME PLATE (REF.)

|   |   |          |   |              |
|---|---|----------|---|--------------|
| REVISION  | 3 | REVISION | 2 | SHEET 1 OF 1 |
| <b>KILLARK</b><br><small>THIS DOCUMENT IS THE PROPERTY OF HUBBELL - KILLARK. IT IS LOANED TO YOU AND MUST NOT BE USED IN ANY WAY DETRIMENTAL TO THE INTEREST HUBBELL - KILLARK.</small> |   |          |   |              |