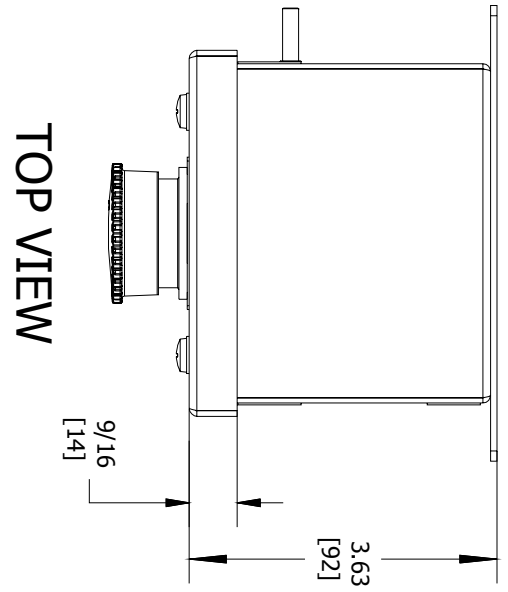
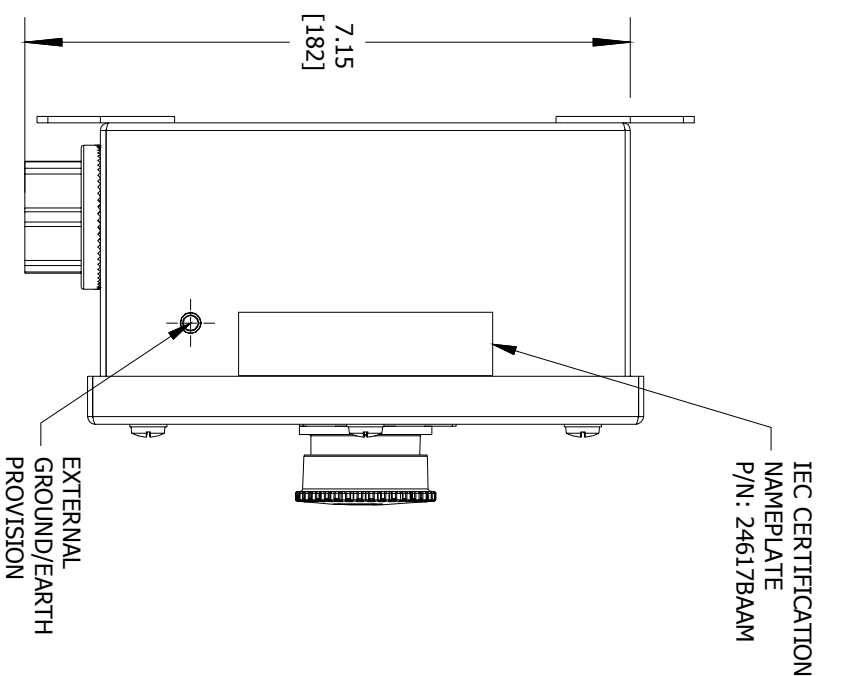


| ENCLOSURE INFORMATION | |
|------------------------|--|
| P/N: | DESCRIPTION: |
| 23831GBAM | BOX SST IF 1b, 3/4 NPT BOTTOM |
| 23804BAB | COVER SST IF 1b, ONE DEVICE |
| HKHMBRKT | HKH PANEL MOUNT BRACKET, C. B. & P. L. (1 PL.) |
| MOUNT METHOD: | |
| DEVICE 1 ASSEMBLY (1F) | |
| P/N: | DESCRIPTION: |
| HKHB1TMR | MAINTAINED P. B. TWIST REL, MUSH HD, RED |
| 23225TAB | LAM, EMERGENCY STOP |
| LOCKOUT DEV.: | |
| N/A | |
| CONTACT 1: | CONTACT BLOCK, FACT SEALED N.O. PM, 20A |
| CONTACT 2: | CONTACT BLOCK, FACT SEALED N.O. PM, 20A |

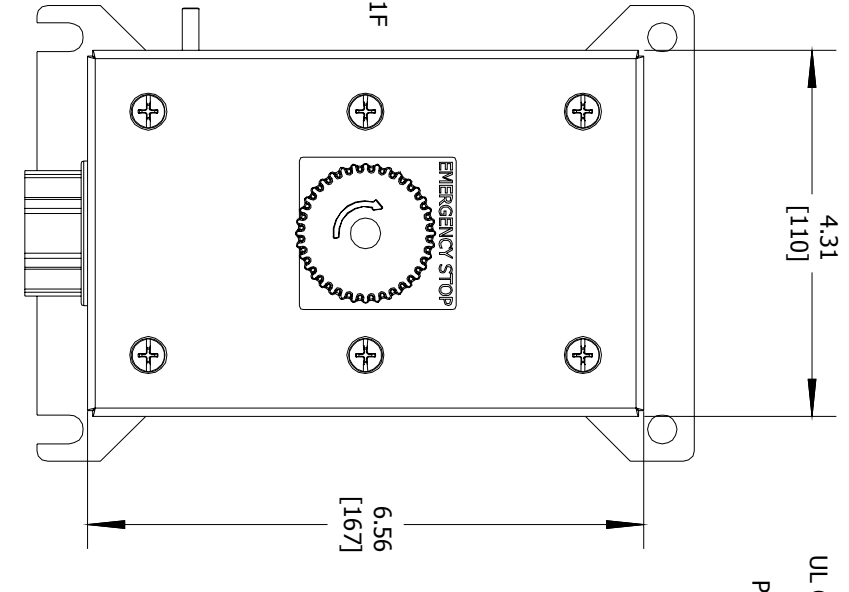
CONTACT BLOCK RATINGS:
690 VAC, 20A, 50-60
60 VDC, 5A, 110VDC, 1.5A
1/2 HP @ 120 VAC, 1 HP @ 208/240/277VAC
NEMA A600/P600 - PILOT DUTY
350VAC, 20A - TUNGSTEN
AC690V 16A AC-12
AC230V 16A AC-15
50-60HZ
DC60V 5A DC-13
TERMINALS RATED FOR 1-2 CONDUCTORS
#22-10 AWG (0.5-4mm²)



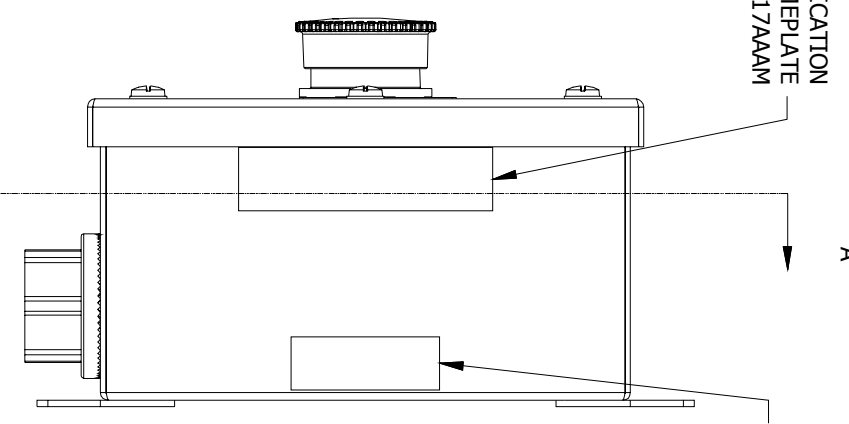
TOP VIEW



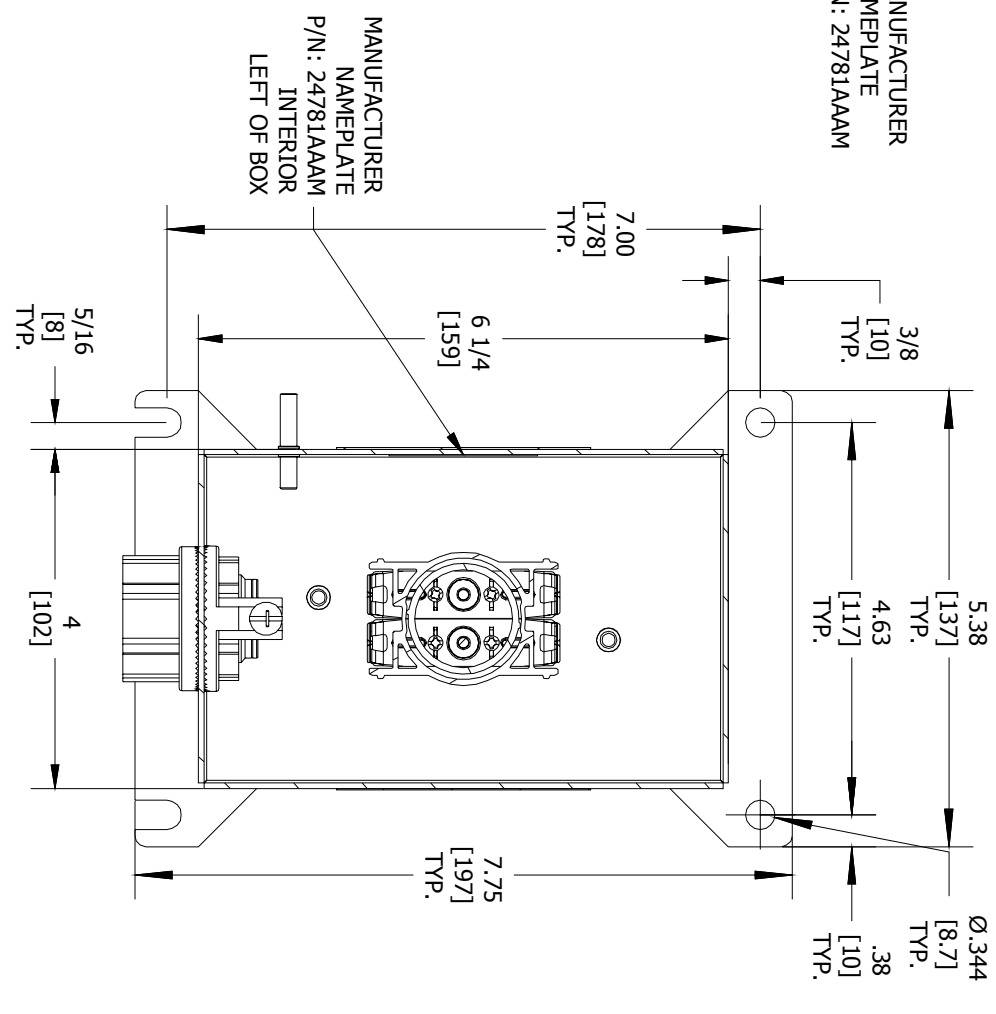
LEFT SIDE VIEW



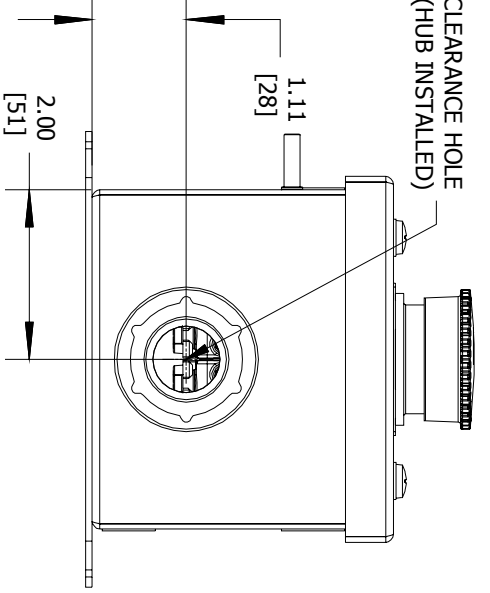
FRONT VIEW



RIGHT SIDE VIEW



SECTION A-A VIEW



BOTTOM VIEW

| | | |
|---|--|--|
| Harsh & Hazardous CAT. NO. HKHMOD Series WWW.HARSHANDHAZARDOUS.COM | | DATE CODE-S/N ST. LOUIS, MO 63113 |
| INDUSTRIAL CONTROL EQUIPMENT FOR USE IN ZONE CLASSIFIED HAZ. LOCs. CLASS I, ZONE 1, AEx de IIC T6...T4 Gb; Ex de IIC T6...T4 Gb ZONE 21, AEx tb IIC T85°C...T135°C Db IP66; Ex tb IIC T85°C...T135°C Db IP66 CLASS I, DIV.2, GRPS. A,B,C,D; CLASS II, DIV.1, GRPS. E,F,G (CANADA ONLY) CLASS II, DIV.2, GROUPS E,F,G; CLASS III CLASS III: TYPE 3/4/4X/12/13; -50°C ≤Tas≤+60°C | | |
| SEE IOM FORM K1466 FOR ELECTRICAL RATINGS. | | TR RU C-US; MIO62B.04167 IEX 16.0079 INMETRO |

CERTIFICATION NAME PLATES

| COMMENT: | SGN: | DATE: | ACCEPTANCE: | DRAWN BY: | DATE: | DWG NUMBER: | ENTRY NO. | HUB/GLAND: | ENTRY 1 | K8: | WH: | ZSSG | HUBS & CABLE GLANDS ARE SHIPPED WITH ENCLOSURE |
|----------|------|-------|---|-----------|-------|-------------|-----------|------------|---------|-----|-----|------|--|
| | | | CODE 1: APPROVED (NO COMMENTS) | | | | | | | | | | |
| | | | CODE 2: APPROVED FOR MANUFACTURING WITH COMMENTS TO BE INCORPORATED | | | | | | | | | | |
| | | | CODE 3: NOT APPROVED RE-SUBMIT | | | | | | | | | | |
| | | | CODE 4: FOR INFORMATION ONLY | | | | | | | | | | |

| | | | | | | | | | | | | | |
|----------|--|--|--|--|--|--|--|--|--|--|--|--|--|
| REVISION | | | | | | | | | | | | | |
|----------|--|--|--|--|--|--|--|--|--|--|--|--|--|

| | | | | | | | | | | | | | |
|----------|--|--|--|--|--|--|--|--|--|--|--|--|--|
| REVISION | | | | | | | | | | | | | |
|----------|--|--|--|--|--|--|--|--|--|--|--|--|--|

| | |
|--------------------------------------|-----------------------|
| HKH SERIES CONTROL STATION | |
| CAT. NO. | HKH1BSP2M71EK8 |
| WWW.HARSHANDHAZARDOUS.COM | |

| | | | | | | | | | | | | | |
|----------|--|--|--|--|--|--|--|--|--|--|--|--|--|
| REVISION | | | | | | | | | | | | | |
|----------|--|--|--|--|--|--|--|--|--|--|--|--|--|

| | | | | | | | | | | | | | |
|----------|--|--|--|--|--|--|--|--|--|--|--|--|--|
| REVISION | | | | | | | | | | | | | |
|----------|--|--|--|--|--|--|--|--|--|--|--|--|--|