

4

3

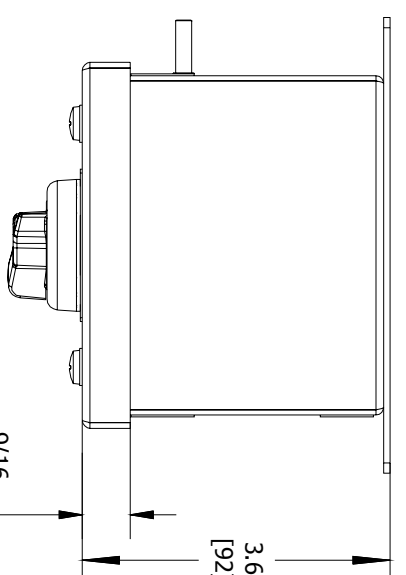
2

1

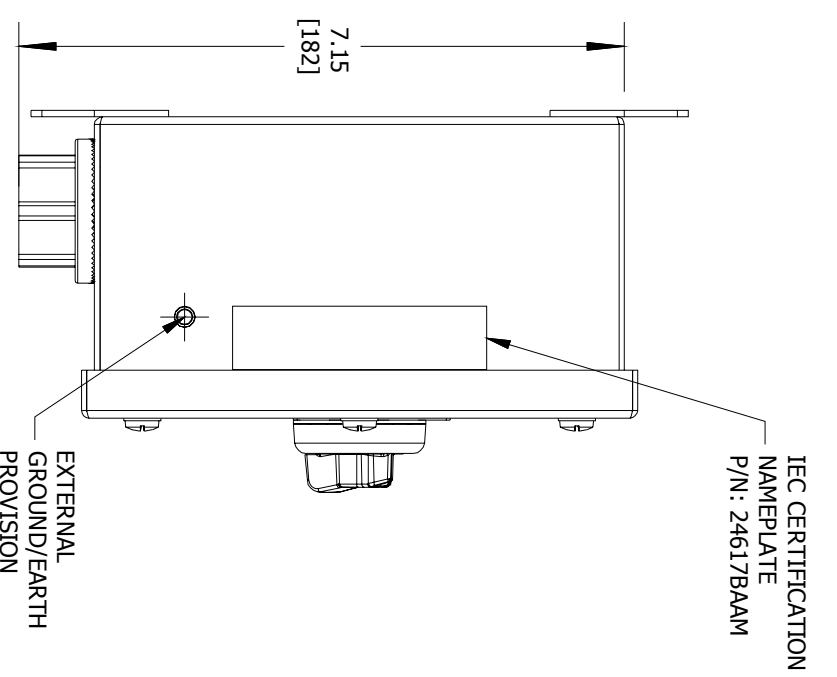
ENCLOSURE INFORMATION	
P/N:	DESCRIPTION:
23831CBAAM	BOX SST 1F 1b, 3/4 NPT BOTTOM
COVER:	COVER SST 1F 1b, ONE DEVICE
23804ABAB	NEMA A600/PE600 - PILOT DUTY
MOUNT METHOD:	HKH PANEL MOUNT BRACKET, C. B. & P. L. (1 PL.)
HKHPMBRKT	AC690V, 16A AC-12
	AC230V, 16A AC-15
	50-60HZ
	DC60V, 5A, DC-13
	TERMINALS RATED FOR 1-2 CONDUCTORS
	#22-10 AWG (0.5-4mm <sup>2</sup> )
DEVICE 1 ASSEMBLY (1F)	
P/N:	DESCRIPTION:
HKH2P5MTH	2 POS SEL SWT MAINTAINED CONTACT, HORIZ
LEGEND PLATE:	LAM, OFF ON
23225ABAB	
LOCKOUT DEV.:	N/A
CONTACT 1:	CONTACT BLCK, FACT SEALED N.O. PM, 20A
HKHINO20P	
CONTACT 2:	CONTACT BLCK, FACT SEALED N.C. PM, 20A
HKHINC20P	

CONTACT BLOCK RATINGS:  
690 VAC, 20A, 50-60  
60 VDC, 5A, 110VDC, 1.5A

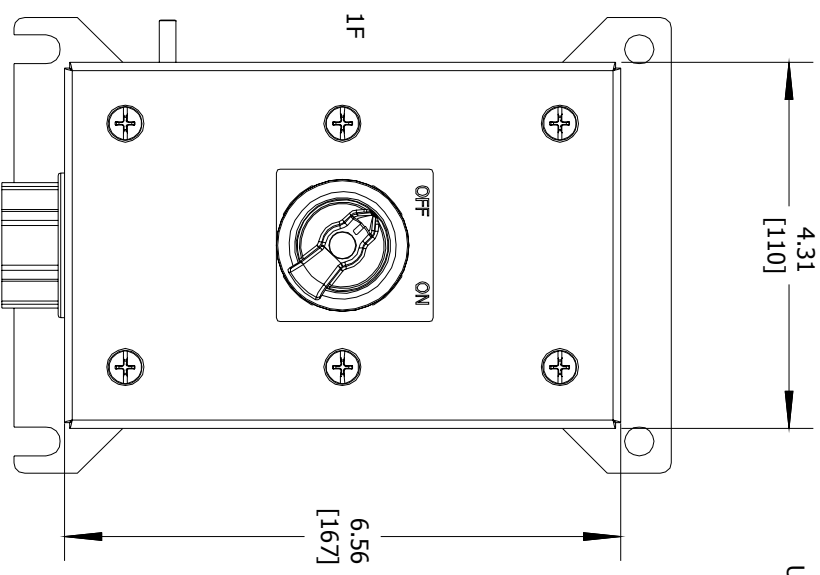
1/2 HP @ 120 VAC, 1 HP @ 208/240/277VAC  
NEMA A600/PE600 - PILOT DUTY  
350VAC, 20A - TUNGSTEN  
AC690V, 16A AC-12  
AC230V, 16A AC-15



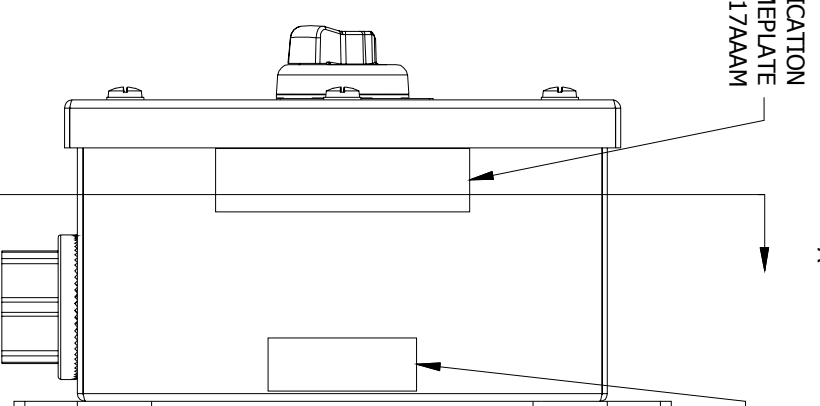
TOP VIEW



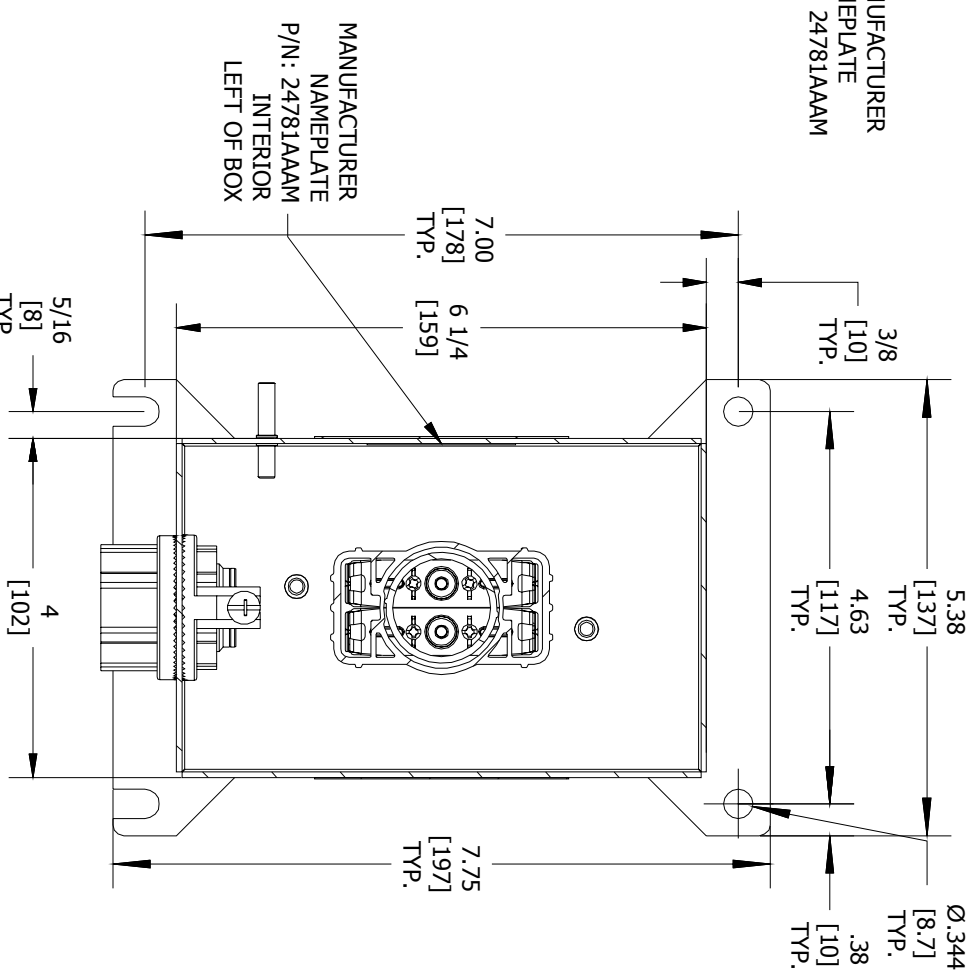
LEFT SIDE VIEW



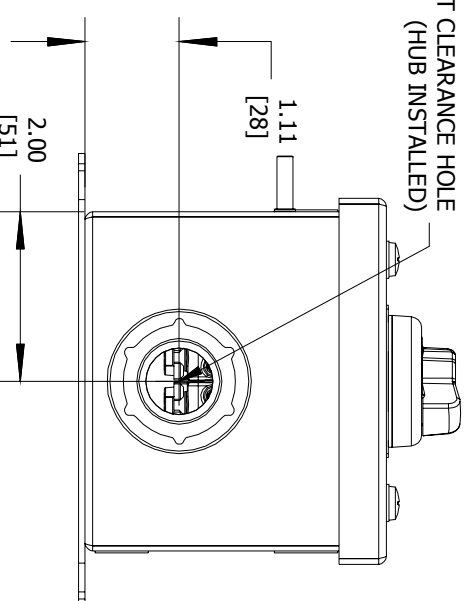
FRONT VIEW



RIGHT SIDE VIEW



SECTION A-A VIEW



BOTTOM VIEW

HUBBEL		CAT. NO. HKHMOD Series		DATE CODE-S/N
Harsh & Hazardous		www.HARSHANDHAZARDOUS.COM		ST. LOUIS, MO 63113
0539	II2G Ex de IIC T6...T4 GP	0539	II2D Ex tb IIC T85°C...T135°C Db IP66	SEE IOM FORM K1466 & K1470 FOR T-CODES AND FOR ELECTRICAL RATINGS.
DEMKO 15 ATEX 140SX		Ex de IIC T6...T4 GP		ST. LOUIS, MO 63113
Ex de IIC T6...T4 GP		Ex de IIC T85°C...T135°C Db IP66		ST. LOUIS, MO 63113
IECEx UL 15,0054X		(-40°C ≤ T <sub>a</sub> ≤ +55°C WITH AMMETER)		TR RU C-US, M1062.B, 04167 IEX 16.0079 INMETRO
(-40°C ≤ T <sub>a</sub> ≤ +55°C WITH AMMETER)				

HUBBEL		CAT. NO. HKHMOD Series		DATE CODE-S/N
Harsh & Hazardous		www.HARSHANDHAZARDOUS.COM		ST. LOUIS, MO 63113
INDUSTRIAL CONTROL EQUIPMENT FOR USE IN ZONE CLASSIFIED HAZ. LOCs.				
CLASS I, ZONE 1, AEx de IIC T6...T4 GP; Ex de IIC T6...T4 GP				
CLASS I, ZONE 1, AEx de IIC T85°C...T135°C Db IP66; Ex de IIC T85°C...T135°C Db IP66				
CLASS I, DIV.2, GRPS. A,B,C,D; CLASS II, DIV.1, GRPS. E,F,G (CANADA ONLY)				
CLASS II, DIV.2, GROUPS E,F,G; CLASS III				
CLASS III; TYPE 3/4/4X/12/13; -50°C ≤ T <sub>a</sub> ≤ +60°C				
SEE IOM FORM K1466 FOR ELECTRICAL RATINGS.				

## CERTIFICATION NAME PLATES

COMMENT:

SGN:

DATE:

ACCEPTANCE:

DRAWN BY:

DATE:

DWG NUMBER:

ENTRY NO. HUB/GLAND:

ITEM:

CODE 1: APPROVED (NO COMMENTS)

CODE 2: APPROVED FOR MANUFACTURING

CODE 3: NOT APPROVED RE-SUBMIT

PR

10/26/2016

SALES/QUOTE NO.:

ENTRY 1 K8: WH-255G

N/A

CODE 2: APPROVED FOR MANUFACTURING

CODE 3: NOT APPROVED RE-SUBMIT

CODE 4: FOR INFORMATION ONLY

TITLE:

HKH MODIFIED ENCLOSURE

N/A

N/A

N/A

A

A

B

C

D

HKH SERIES CONTROL STATION	
CAT. NO.	HKH1BSP2S11SK8
COUNTRY/DATE CODE	
www.HARSHANDHAZARDOUS.COM	

REVISION	DATE	DESCRIPTION
A		REVISION

REVISION	DATE	DESCRIPTION
A		REVISION

4

3

2

1

ENTRY HUB/GLAND SELECTION CHART\*

HUB/GLAND:

K8: WH-255G

\*HUBS &amp; CABLE GLANDS ARE SHIPPED WITH ENCLOSURE

SHEET 1 OF 1

SHEET 1 OF 1

A

B

C

D