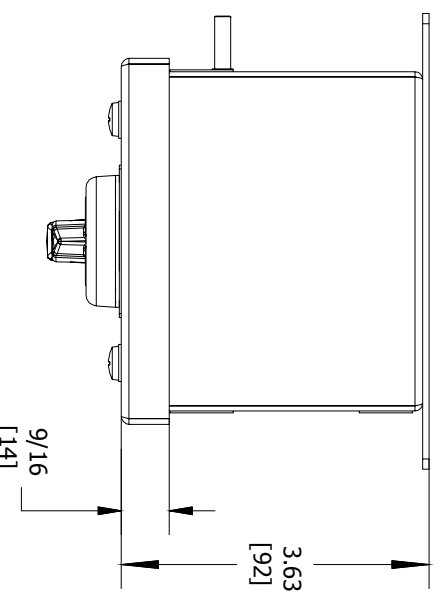
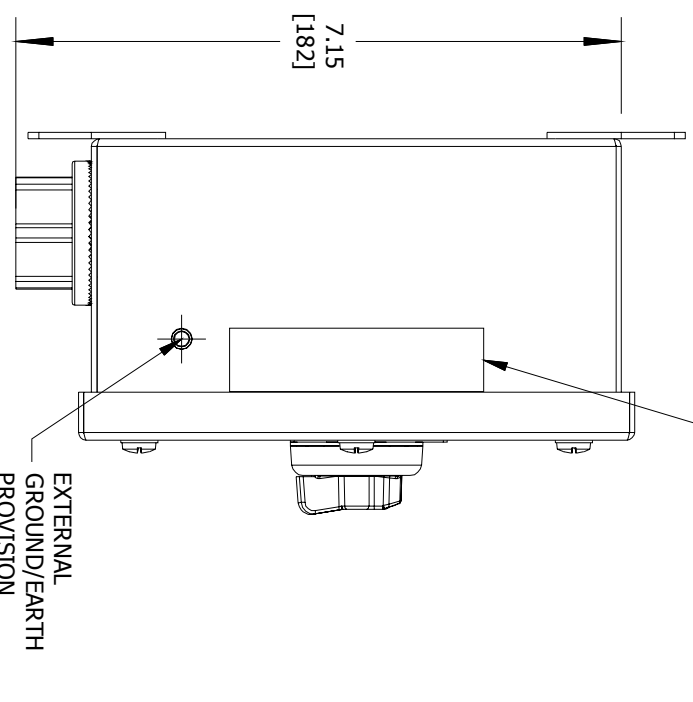


| ENCLOSURE INFORMATION | |
|-----------------------|--|
| P/N: | DESCRIPTION: |
| 23831GBAM | BOX SST IF 1b, 3/4 NPT BOTTOM |
| COVER: | COVER SST IF 1b, ONE DEVICE |
| 23804ABAB | NEMA A600/PE00 - PILOT DUTY |
| MOUNT METHOD: | HKH PANEL MOUNT BRACKET, C. B. & P. L. (1 PL.) |
| HKHPMBRKT | AC690V 16A AC-12 |
| | AC230V 16A AC-15 |
| | 50-60HZ |
| | DC60V 5A DC-13 |
| | TERMINALS RATED FOR 1-2 CONDUCTORS |
| | #22-10 AWG (0.5-4mm ²) |
| P/N: | DESCRIPTION: |
| HKH3P5M1RBH | 3 POS SEL SWT MOM LT/RT, MAINT CTR, HORIZ |
| LEGEND PLATE: | LAM, BLANK |
| LOCKOUT DEV.: | N/A |
| CONTACT 1: | CONTACT BLCK, FACT SEALED N.O. PM, 20A |
| HKHINO20P | |
| CONTACT 2: | CONTACT BLCK, FACT SEALED N.O. PM, 20A |
| HKHINO20P | |

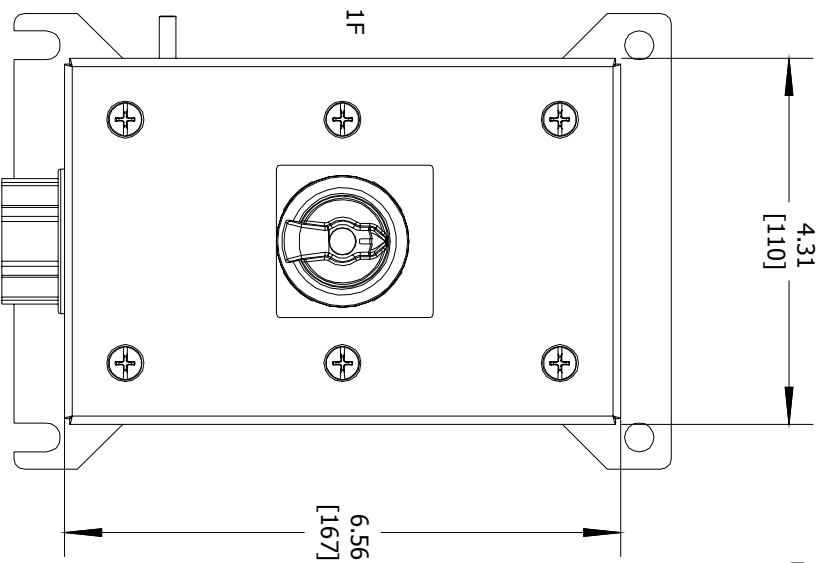
CONTACT BLOCK RATINGS:
690 VAC, 20A, 50-60
60 VDC, 5A, 110VDC, 1.5A
1/2 HP @ 120 VAC, 1 HP @ 208/240/277VAC
NEMA A600/PE00 - PILOT DUTY
350VAC, 20A - TUNGSTEN
AC690V 16A AC-12
AC230V 16A AC-15
50-60HZ
DC60V 5A DC-13
TERMINALS RATED FOR 1-2 CONDUCTORS
#22-10 AWG (0.5-4mm²)



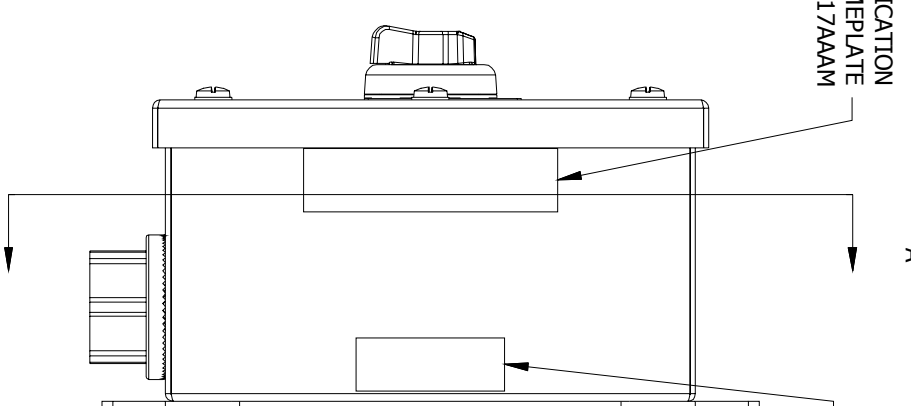
TOP VIEW



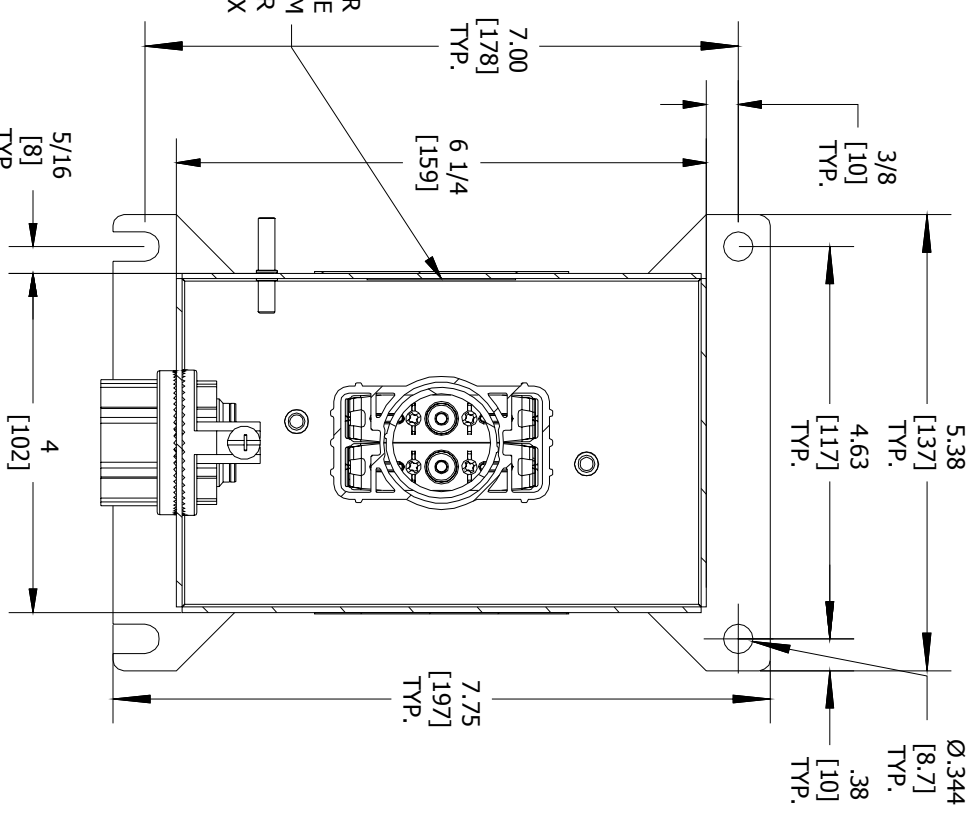
LEFT SIDE VIEW



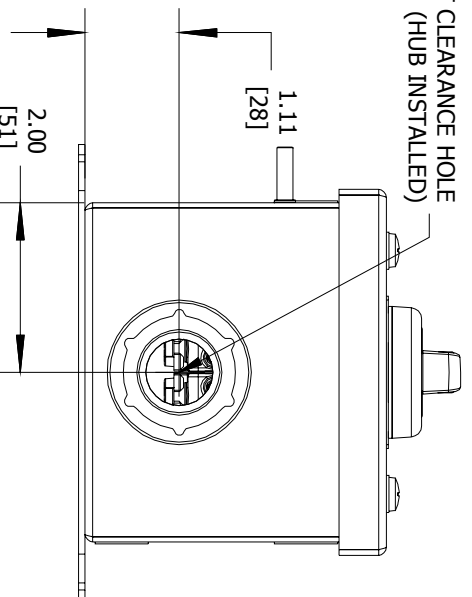
FRONT VIEW



RIGHT SIDE VIEW



SECTION A-A VIEW



BOTTOM VIEW

| | | | | |
|---|--|--|--|---|
| | | HKHMOD Series | | DATE CODE-S/N ST. LOUIS, MO 63113 |
| CAT. NO. HKHMOD Series WWW.HARSHANDHAZARDOUS.COM | | CAT. NO. HKHMOD Series WWW.HARSHANDHAZARDOUS.COM | | ST. LOUIS, MO 63113 LISTED A243 |
| HARSH & Hazardous 0539 I12G Ex de IIC T6...T4 Gb 0539 I12D Ex tb IIC T85°C...T135°C Db IP66 DEMKO 15 ATEX 1405X Ex de IIC T6...T4 Gb Ex de IIC T85°C...T135°C Db IP66 IECEx UL 15,0054X (-40°C ≤Tas+55°C WITH AMMETER) | | INDUSTRIAL CONTROL EQUIPMENT FOR USE IN ZONE CLASSIFIED HAZ. LOCs. CLASS I, ZONE 1, AEx de IIC T6...T4 Gb; Ex de IIC T6...T4 Gb ZONE 21, AEx tb IIC T85°C...T135°C Db IP66; Ex tb IIC T85°C...T135°C Db IP66 CLASS I, DIV.2, GRPS. A,B,C,D; CLASS II, DIV.1, GRPS. E,F,G (CANADA ONLY) CLASS II, DIV.2, GROUPS E,F,G; CLASS III CLASS III; TYPE 3/4/4X/12/13; -50°C ≤Tas+60°C | | TR RU C-US, M1062.B,04167 IEX 16.0079 INMETRO SEE IOM FORM K1466 FOR ELECTRICAL RATINGS. |

CERTIFICATION NAME PLATES

| | | | | | | | |
|----------|------|-------|---|-----------|------------|------------------|---|
| COMMENT: | SGN: | DATE: | ACCEPTANCE: | DRAWN BY: | DATE: | DWG NUMBER: | ENTRY HUB/GLAND SELECTION CHART* |
| | | | CODE 1: APPROVED (NO COMMENTS) | | | HKH1BSP2S440K8 | ENTRY NO. HUB/GLAND: |
| | | | CODE 2: APPROVED FOR MANUFACTURING WITH COMMENTS TO BE INCORPORATED | | 10/27/2016 | SALES/QUOTE NO.: | ENTRY 1 K8: WH-255G |
| | | | CODE 3: NOT APPROVED RE-SUBMIT | | | | *HUBS & CABLE GLANDS ARE SHIPPED WITH ENCLOSURE |
| | | | CODE 4: FOR INFORMATION ONLY | | | | |

COMMENT:

SGN:

DATE:

ACCEPTANCE:

DRAWN BY:

DATE:

DWG NUMBER:

ENTRY HUB/GLAND SELECTION CHART*

ENTRY NO. HUB/GLAND:

ENTRY 1 K8: WH-255G

*HUBS & CABLE GLANDS ARE SHIPPED WITH ENCLOSURE

COMMENT:

SGN:

DATE:

ACCEPTANCE:

DRAWN BY:

DATE:

DWG NUMBER:

ENTRY HUB/GLAND SELECTION CHART*

ENTRY NO. HUB/GLAND:

ENTRY 1 K8: WH-255G

*HUBS & CABLE GLANDS ARE SHIPPED WITH ENCLOSURE

HKH SERIES
CONTROL STATION

CAT. NO. HKH1BSP2S440K8

COUNTRY/DATE CODE

WWW.HARSHANDHAZARDOUS.COM

REVISION



KILLARK

THIS DOCUMENT IS THE PROPERTY OF HUBBELL - KILLARK. IT IS LOANED TO YOU AND MUST NOT BE USED IN ANY WAY DETRIMENTAL TO THE INTEREST HUBBELL - KILLARK.

HKH MODIFIED ENCLOSURE
(HKH1BSP2S440K8)

SHEET 1 OF 2

A

B

C

D

4

3

2

1

4

3

2

1