

4

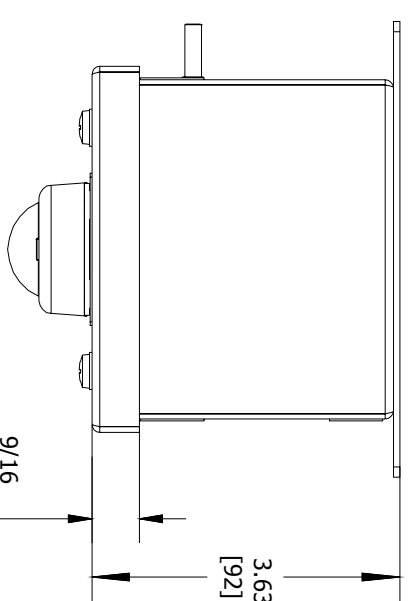
3

2

1

ENCLOSURE INFORMATION	
P/N:	DESCRIPTION:
23831KBAM	BOX SST 1F 1b, M20 BOTTOM
23804ABAB	COVER SST 1F 1b, ONE DEVICE
HKHPRBKCT	HKH PANEL MOUNT BRACKET, C. B. & P. L. (1 PL.)
MOUNT METHOD:	
DEVICE 1 ASSEMBLY (1F)	
P/N:	DESCRIPTION:
HKHPLR	PILOT LIGHT RED LENS ASSEMBLY
23225AAAB	LAM, BLANK
LEGEND PLATE:	
LOCKOUT DEV.:	
N/A	N/A
CONTACT 1:	
HKHPLP	PILOT LIGHT MOD, PM

PILOT LIGHT RATINGS:
 LIGHT EMITTING DIODE
 12-254 VAC/MDC LED
 0.6W/TERMINALS RATED FOR 1-2 CONDUCTORS
 #22-10 AWG. (0.5-4mm²)

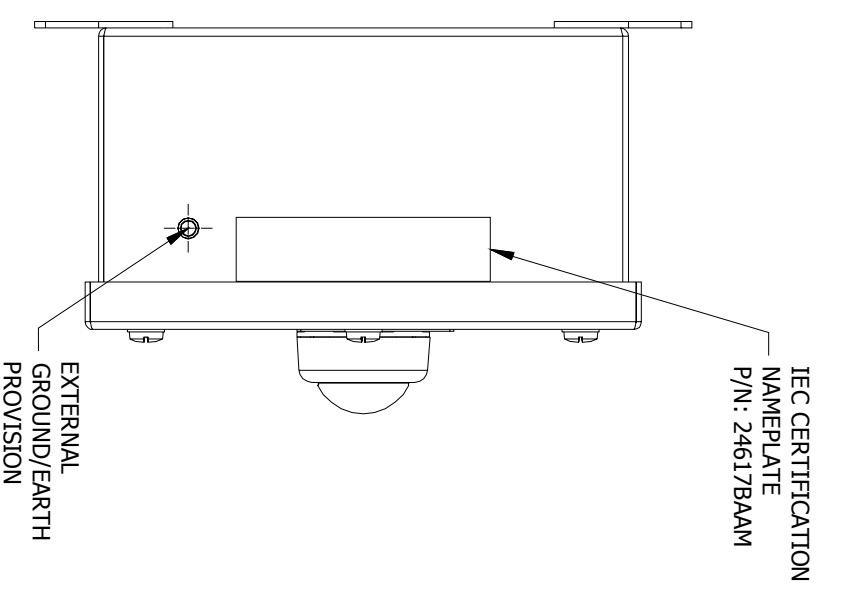


TOP VIEW

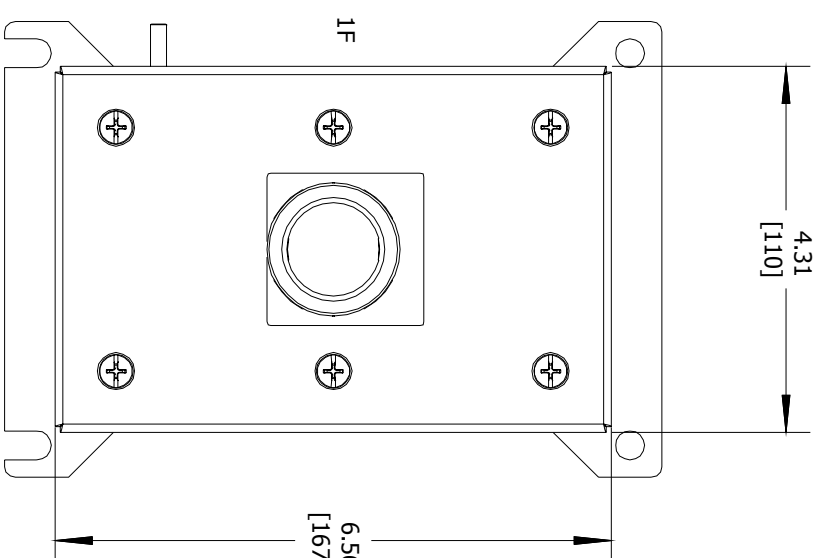
	CAT. NO.	HKHMOD Series	DATE CODE S/N
Harsh & Hazardous	WWW.HARSHANDHAZARDOUS.COM		ST. LOUIS, MO 63113
	CAT. NO.	HKHMOD Series	DATE CODE S/N
INDUSTRIAL CONTROL EQUIPMENT FOR USE IN ZONE CLASSIFIED HAZ. LOCS.	WWW.HARSHANDHAZARDOUS.COM		ST. LOUIS, MO 63113
CLASS I, ZONE 1, AEx de IIC T6..T4 Gb; Ex de IIC T6..T4 Gb			
CLASS II, DIV.2, GRPS. A,B,C,D; CLASS II, DIV.1, GRPS. E,F,G (CANADA ONLY)			
CLASS III, TYPE 3/4/4X/12/13; -50°C STAs+60°C			
SEE IOM FORM K1466 FOR ELECTRICAL RATINGS.			

INDUSTRIAL CONTROL EQUIPMENT FOR USE IN ZONE CLASSIFIED HAZ. LOCS.
 CLASS I, ZONE 1, AEx de IIC T6..T4 Gb; Ex de IIC T6..T4 Gb
 CLASS II, DIV.2, GRPS. A,B,C,D; CLASS II, DIV.1, GRPS. E,F,G (CANADA ONLY)
 CLASS III, TYPE 3/4/4X/12/13; -50°C STAs+60°C
 SEE IOM FORM K1466 FOR ELECTRICAL RATINGS.

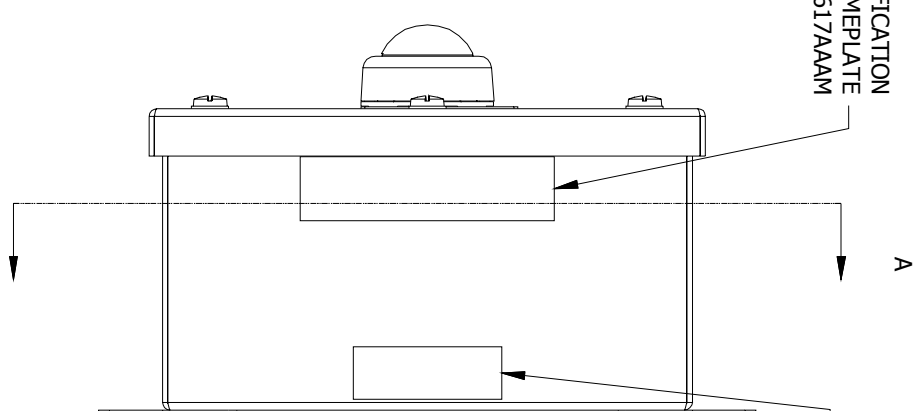
CERTIFICATION NAME PLATES



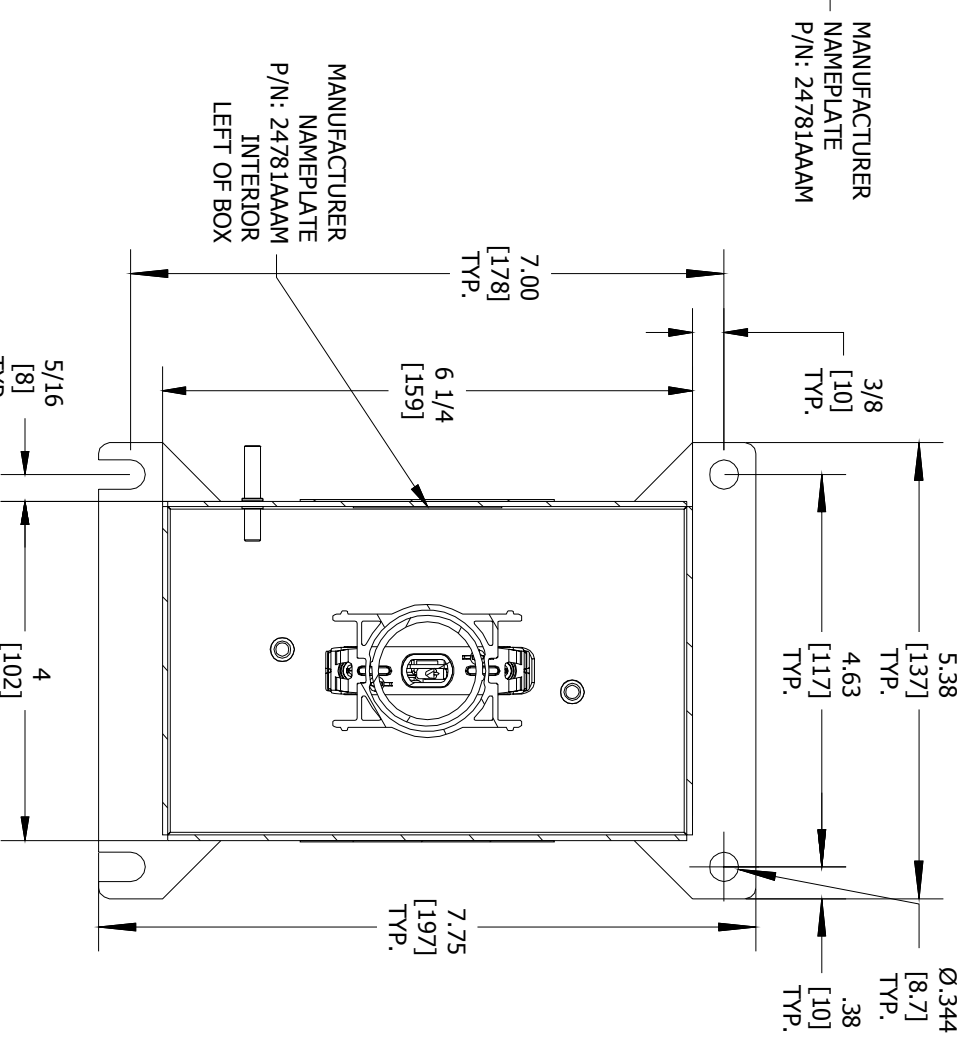
LEFT SIDE VIEW



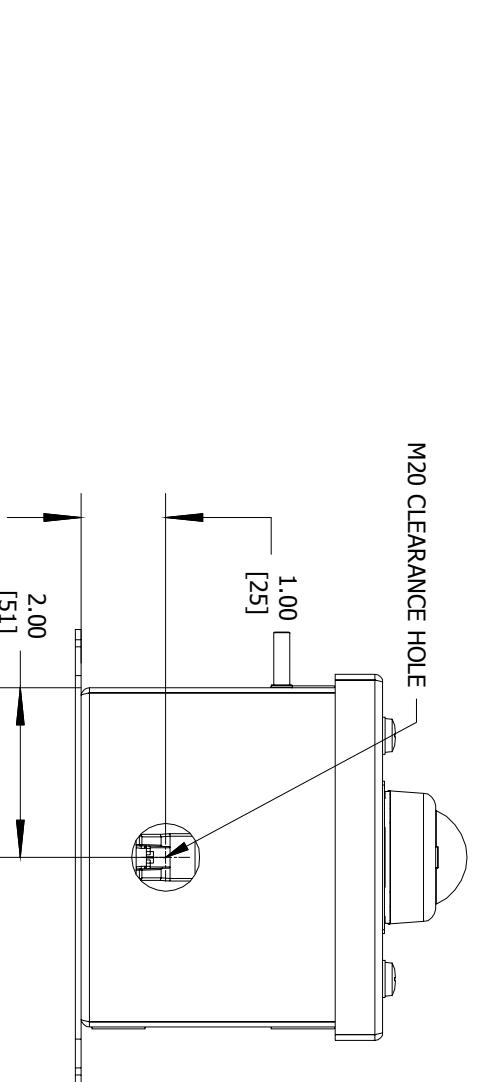
FRONT VIEW



RIGHT SIDE VIEW



SECTION A-A VIEW



BOTTOM VIEW

	HKH SERIES
CAT. NO.	CONTROL STATION
HKH1BSPALR10	
COUNTRY/DATE CODE	WWW.HARSHANDHAZARDOUS.COM

COMMENT:	SGN:	DATE:	ACCEPTANCE:
			CODE 1: APPROVED (NO COMMENTS)
			CODE 2: APPROVED FOR MANUFACTURING
			WITH COMMENTS TO BE INCORPORATED
			CODE 3: NOT APPROVED RE-SUBMIT
			CODE 4: FOR INFORMATION ONLY

DRAWN BY:	DATE:	DWG NUMBER:	ITEM:
PR	10/19/2016	HKH1BSPALR10	N/A
TITLE:			
HKH MODIFIED ENCLOSURE			
(HKH1BSPALR10)			

ENTRY HUB/GLAND SELECTION CHART*	
ENTRY NO.	HUB/GLAND:
ENTRY 1	NONE

*HUBS & CABLE GLANDS ARE SHIPPED WITH ENCLOSURE

REVISION



KILLARK

THIS DOCUMENT IS THE PROPERTY OF HUBBELL - KILLARK. IT IS LOANED TO YOU AND MUST NOT BE USED IN ANY WAY DETRIMENTAL TO THE INTEREST HUBBELL - KILLARK.

SALES/QUOTE NO.:

SHEET 1 OF 2

A

B

C

D

A

B

C

D