

4

3

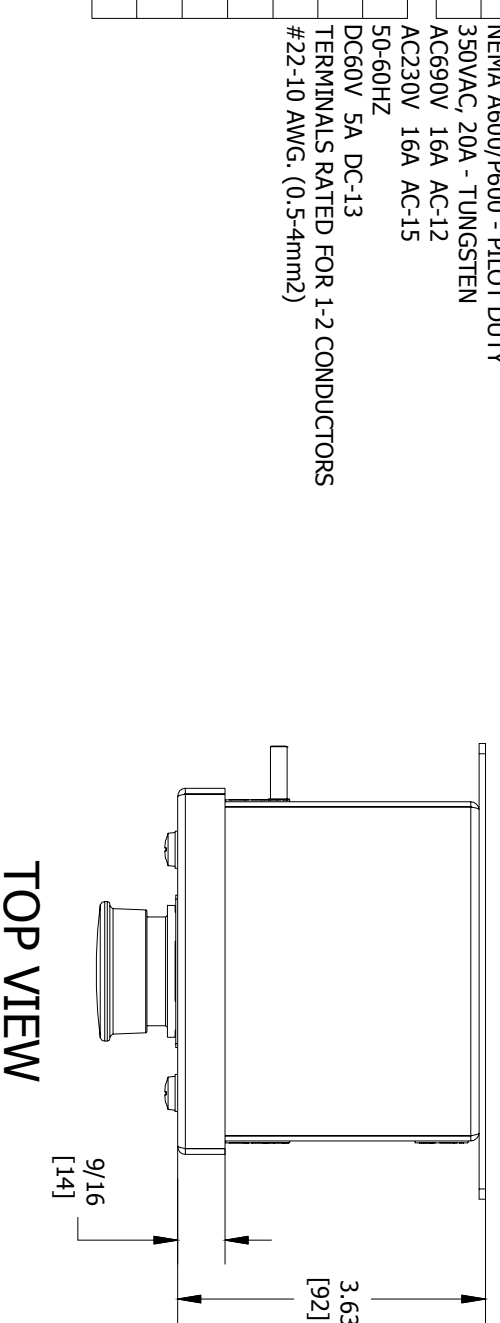
2

1

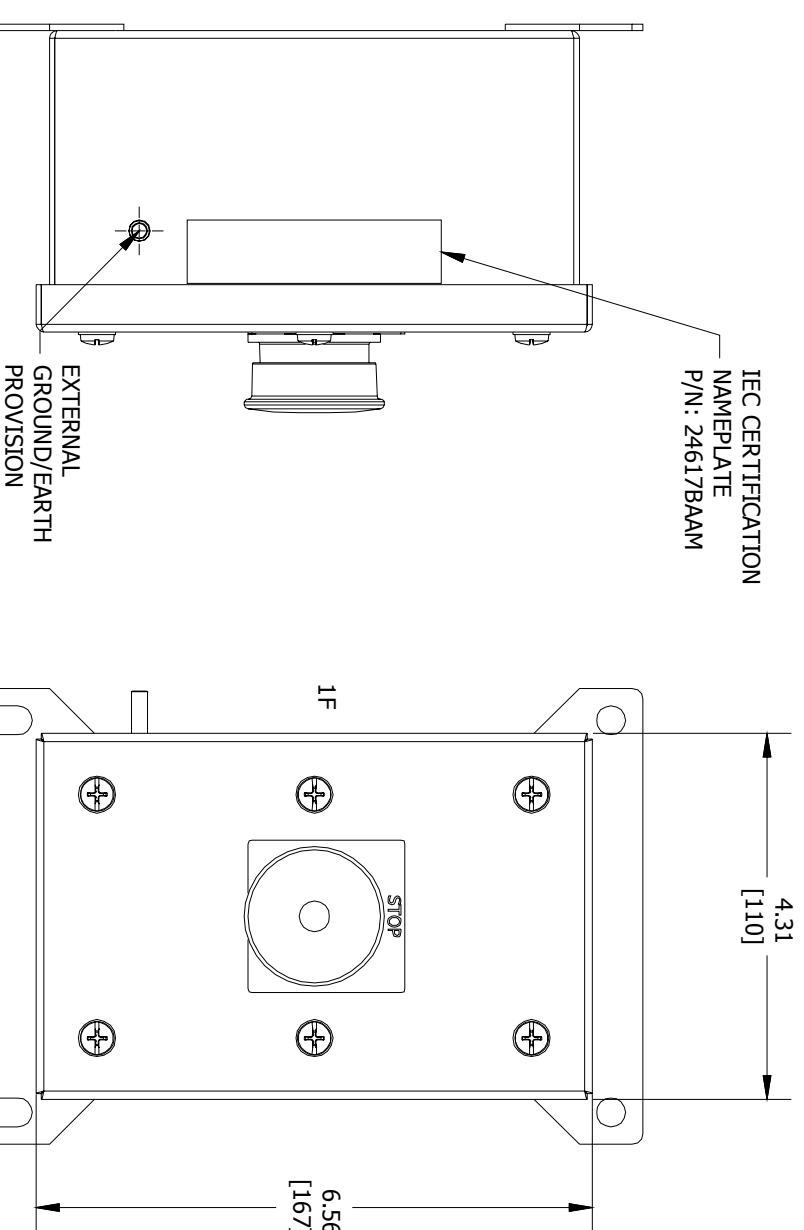
ENCLOSURE INFORMATION	
P/N:	DESCRIPTION:
23831KBAM	BOX SST 1F 1b, M20 BOTTOM
COVER:	COVER SST 1F 1b, ONE DEVICE
23804BAB	HKH PANEL MOUNT BRACKET, C. B. & P. L. (1 PL.)
MOUNT METHOD:	HKHMBRKT
DEVICE 1 ASSEMBLY (1F)	
P/N:	DESCRIPTION:
HKHBMNR	MOMENTARY PUSHBUTTON, MUSHROOM HD, RED
LGND. PLATE:	STOP
LOCKOUT ACVY:	N/A
CONTACT 1:	CONTACT BLCK, FACT SEALED N.O. PM, 20A
CONTACT 2:	CONTACT BLCK, FACT SEALED N.O. PM, 20A

CONTACT BLOCK RATINGS:  
690 VAC, 20A, 50-60  
60 VDC, 5A, 110VDC, 1.5A

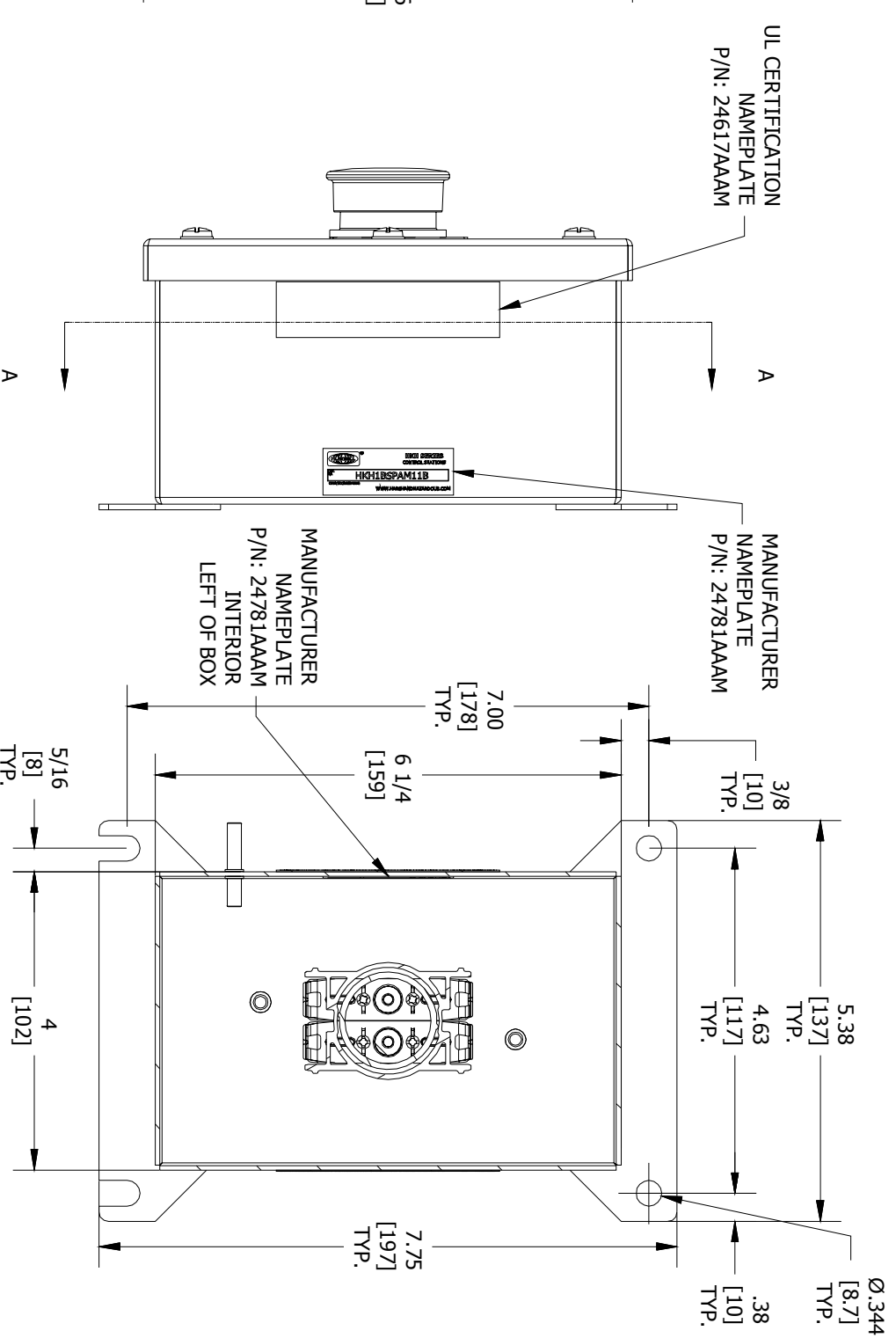
1/2 HP @ 120 VAC, 1 HP @ 208/240/277VAC  
NEMA A600/P600 - PILOT DUTY  
350VAC, 20A - TUNGSSTEN  
AC690V 16A AC-12  
AC230V 16A AC-15  
50-60HZ  
DC60V 5A DC-13  
TERMINALS RATED FOR 1-2 CONDUCTORS  
#22-10 AWG. (0.5-4mm<sup>2</sup>)



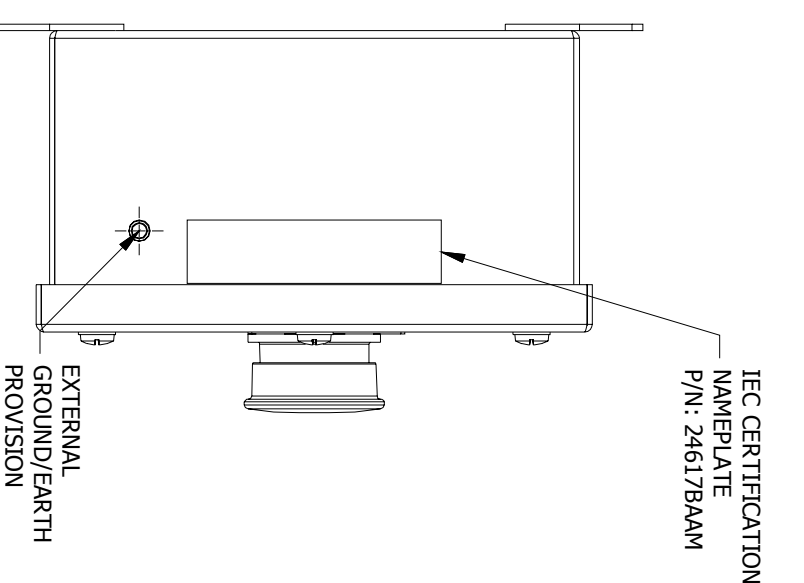
TOP VIEW



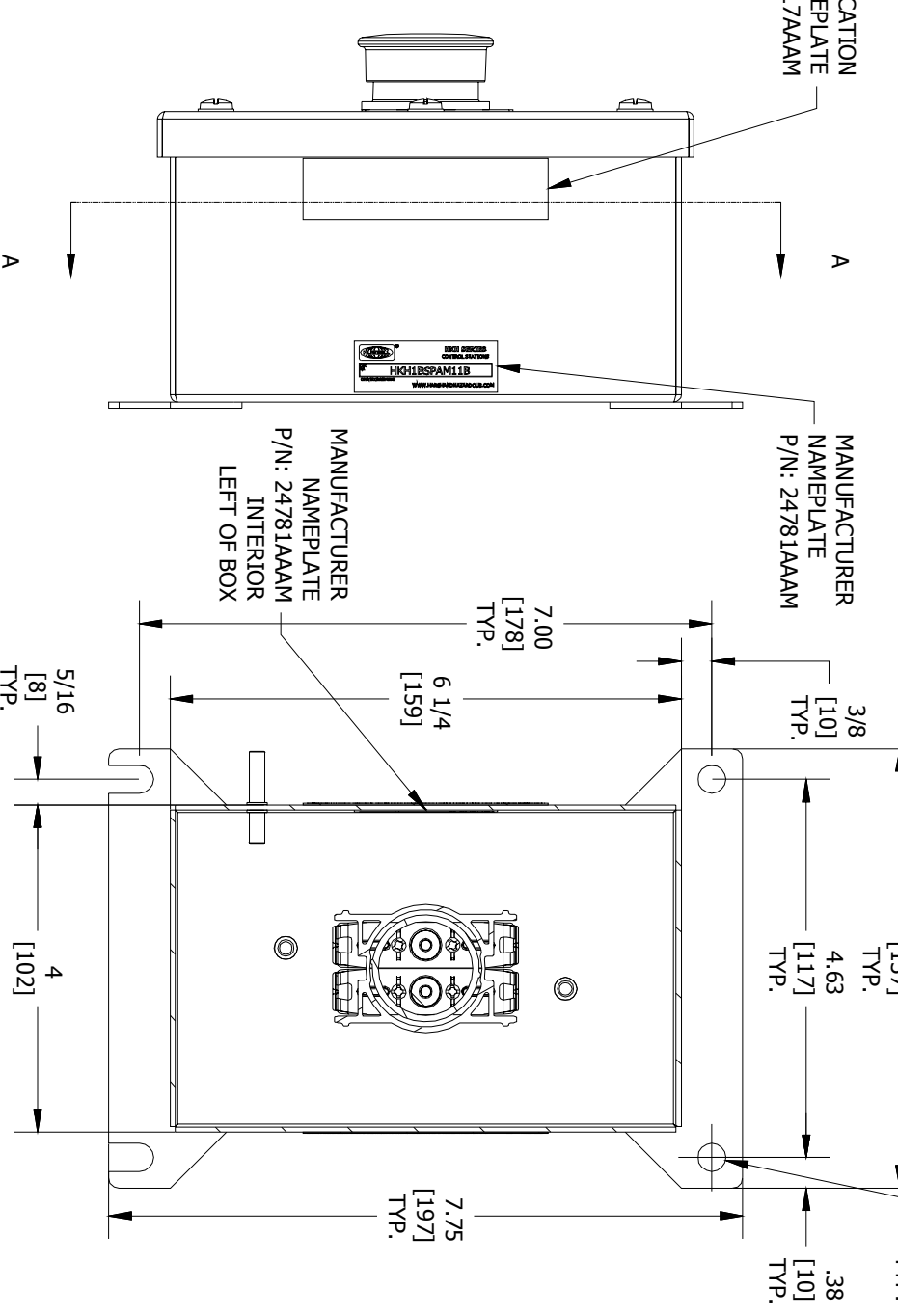
FRONT VIEW



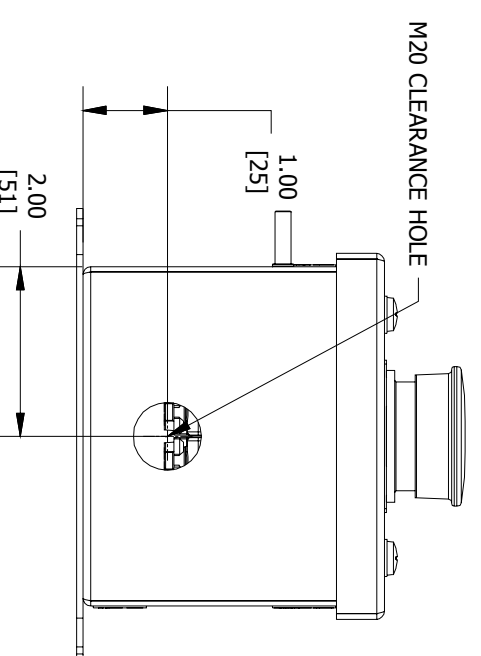
SECTION A-A VIEW



LEFT SIDE VIEW



RIGHT SIDE VIEW



BOTTOM VIEW

**HUBBEL**  
Harsh & Hazardous  
CAT. NO. **HKHMOD Series**  
DATE CODE S/N

INDUSTRIAL CONTROL EQUIPMENT FOR USE IN ZONE CLASSIFIED HAZ. LOCs.  
CLASS I, ZONE 1, AEx de IIC T6...T4 Gb; Ex de IIC T6...T4 Gb  
ZONE 21, AEx tb IIC T85°C...T135°C; Db IP66; Ex tb IIC T85°C...T135°C Db IP66  
CLASS I, DIV 2, GRPS. A,B,C,D; CLASS II, DIV.1, GRPS. E,F,G (CANADA ONLY)  
CLASS II, DIV.2, GROUPS E,F,G; CLASS III  
CLASS III; TYPE 3/4/4X/12/13; -50°C ≤Tas≤+60°C

SEE IOM FORM K1466 FOR ELECTRICAL RATINGS.

ST. LOUIS, MO 63113  
FOR T-CODES AND FOR ELECTRICAL RATINGS.  
S&P  
EX  
EPCOR  
METRO  
CON

TR RU C-US, M1062, B, 04167 IEX 16.0079 INMETRO  
(-40°C ≤Tas≤+55°C WITH AMMETER)

**HUBBEL**  
Harsh & Hazardous  
CAT. NO. **HKHMOD Series**  
DATE CODE S/N

INDUSTRIAL CONTROL EQUIPMENT FOR USE IN ZONE CLASSIFIED HAZ. LOCs.  
CLASS I, ZONE 1, AEx de IIC T6...T4 Gb; Ex de IIC T6...T4 Gb  
ZONE 21, AEx tb IIC T85°C...T135°C; Db IP66; Ex tb IIC T85°C...T135°C Db IP66  
CLASS I, DIV 2, GRPS. A,B,C,D; CLASS II, DIV.1, GRPS. E,F,G (CANADA ONLY)  
CLASS II, DIV.2, GROUPS E,F,G; CLASS III  
CLASS III; TYPE 3/4/4X/12/13; -50°C ≤Tas≤+60°C

SEE IOM FORM K1466 FOR ELECTRICAL RATINGS.

ST. LOUIS, MO 63113  
FOR T-CODES AND FOR ELECTRICAL RATINGS.  
S&P  
EX  
EPCOR  
METRO  
CON

TR RU C-US, M1062, B, 04167 IEX 16.0079 INMETRO  
(-40°C ≤Tas≤+55°C WITH AMMETER)

## CERTIFICATION NAME PLATES

COMMENT:

SGN:

DATE:

ACCEPTANCE:

DRAWN BY:

DATE:

DWG NUMBER:

ENTRY HUB/GLAND SELECTION CHART*	
ENTRY NO.	HUB/GLAND:
ENTRY 1	NONE

\*HUBS & CABLE GLANDS ARE SHIPPED WITH ENCLOSURE

CODE 1: APPROVED (NO COMMENTS)

CODE 2: APPROVED FOR MANUFACTURING WITH COMMENTS TO BE INCORPORATED

CODE 3: NOT APPROVED RE-SUBMIT

CODE 4: FOR INFORMATION ONLY

TITLE:

TITLE:

TITLE:

TITLE:

PR

PR

PR

PR

10-06-2016

SALES/QUOTE NO.:

N/A

N/A

HKH MODIFIED ENCLOSURE (HKH1BSPAM11B)

HKH MODIFIED ENCLOSURE (HKH1BSPAM11B)

HKH MODIFIED ENCLOSURE (HKH1BSPAM11B)

HKH MODIFIED ENCLOSURE (HKH1BSPAM11B)

ITEM: N/A

ITEM: N/A

ITEM: N/A

ITEM: N/A

## ENCLOSURE INFORMATION

P/N:

DESCRIPTION:

BOX SST 1F 1b, M20 BOTTOM

COVER:

23804BAB

MOUNT METHOD:

HKHMBRKT

DEVICE 1 ASSEMBLY (1F)

P/N:

DESCRIPTION:

MOMENTARY PUSHBUTTON, MUSHROOM HD, RED

LGND. PLATE:

STOP

LOCKOUT ACVY:

N/A

CONTACT 1:

CONTACT BLCK, FACT SEALED N.O. PM, 20A

CONTACT 2:

CONTACT BLCK, FACT SEALED N.O. PM, 20A

3

2

1

ITEM: N/A

ITEM: N/A

ITEM: N/A

ITEM: N/A

ITEM: N/A

ITEM: N/A

ITEM: N/A

ITEM: N/A

ITEM: N/A

ITEM: N/A

ITEM: N/A

ITEM: N/A

ITEM: N/A

ITEM: N/A

ITEM: N/A

ITEM: N/A

ITEM: N/A

ITEM: N/A

ITEM: N/A

ITEM: N/A

ITEM: N/A

ITEM: N/A

ITEM: N/A

ITEM: N/A

ITEM: N/A

ITEM: N/A

ITEM: N/A

ITEM: N/A

ITEM: N/A

ITEM: N/A

ITEM: N/A

ITEM: N/A

ITEM: N/A

ITEM: N/A

ITEM: N/A

ITEM: N/A

ITEM: N/A

ITEM: N/A

ITEM: N/A

ITEM: N/A

ITEM: N/A

ITEM: N/A

ITEM: N/A

ITEM: N/A

ITEM: N/A

ITEM: N/A

ITEM: N/A

ITEM: N/A

ITEM: N/A

ITEM: N/A

ITEM: N/A

ITEM: N/A

ITEM: N/A

ITEM: N/A

ITEM: N/A

ITEM: N/A

ITEM: N/A

ITEM: N/A

ITEM: N/A

ITEM: N/A

ITEM: N/A

ITEM: N/A

ITEM: N/A

ITEM: N/A

ITEM: N/A

ITEM: N/A

ITEM: N/A

ITEM: N/A

ITEM: N/A

ITEM: N/A

ITEM: N/A

ITEM: N/A

ITEM: N/A

ITEM: N/A

ITEM: N/A

ITEM: N/A

ITEM: N/A

ITEM: N/A

ITEM: N/A

ITEM: N/A

ITEM: N/A

ITEM: N/A

ITEM: N/A

ITEM: N/A

ITEM: N/A

ITEM: N/A

ITEM: N/A

ITEM: N/A

ITEM: N/A

ITEM: N/A

ITEM: N/A

ITEM: N/A

ITEM: N/A

ITEM: N/A

ITEM: N/A

ITEM: N/A

ITEM: N/A

ITEM: N/A

ITEM: N/A

ITEM: N/A

ITEM: N/A

ITEM: N/A

ITEM: N/A

ITEM: N/A

ITEM: N/A

ITEM: N/A

ITEM: N/A

ITEM: N/A

ITEM: N/A

ITEM: N/A

ITEM: N/A

ITEM: N/A

ITEM: N/A

ITEM: N/A

ITEM: N/A

ITEM: N/A

ITEM: N/A

ITEM: N/A

ITEM: N/A

ITEM: N/A

ITEM: N/A

ITEM: N/A

ITEM: N/A

ITEM: N/A

ITEM: N/A

ITEM: N/A

ITEM: N/A

ITEM: N/A

ITEM: N/A

ITEM: N/A

ITEM: N/A

ITEM: N/A

ITEM: N/A

ITEM: N/A

ITEM: N/A

ITEM: N/A

ITEM: N/A

ITEM: N/A

ITEM: N/A

ITEM: N/A

ITEM: N/A

ITEM: N/A

ITEM: N/A

ITEM: N/A

ITEM: N/A

ITEM: N/A

ITEM: N/A

ITEM: N/A

ITEM: N/A

ITEM: N/A

ITEM: N/A

ITEM: N/A

ITEM: N/A

ITEM: N/A

ITEM: N/A

ITEM: N/A

ITEM: N/A

ITEM: N/A

ITEM: N/A

ITEM: N/A

ITEM: N/A

ITEM: N/A

ITEM: N/A

ITEM: N/A

ITEM: N/A

ITEM: N/A

ITEM: N/A

ITEM: N/A

ITEM: N/A

ITEM: N/A

ITEM: N/A

ITEM: N/A

ITEM: N/A

ITEM: N/A

ITEM: N/A

ITEM: N/A

ITEM: N/A

ITEM: N/A

ITEM: N/A

ITEM: N/A

ITEM: N/A

ITEM: N/A

ITEM: N/A

ITEM: N/A

ITEM: N/A

ITEM: N/A

ITEM: N/A

ITEM: N/A

ITEM: N/A

ITEM: N/A

ITEM: N/A

ITEM: N/A

ITEM: N/A

ITEM: N/A

ITEM: N/A

ITEM: N/A

ITEM: N/A

ITEM: N/A

ITEM: N/A

ITEM: N/A

ITEM: N/A

ITEM: N/A

ITEM: N/A

ITEM: N/A

ITEM: N/A

ITEM: N/A

ITEM: N/A

ITEM: N/A

ITEM: N/A

ITEM: N/A

ITEM: N/A

ITEM: N/A

ITEM: N/A

ITEM: N/A

ITEM: N/A

ITEM: N/A

ITEM: N/A

ITEM: N/A

ITEM: N/A

ITEM: N/A

ITEM: N/A

ITEM: N/A

ITEM: N/A

ITEM: N/A

ITEM: N/A

ITEM: N/A

ITEM: N/A

ITEM: N/A

ITEM: N/A

ITEM: N/A

ITEM: N/A