

4

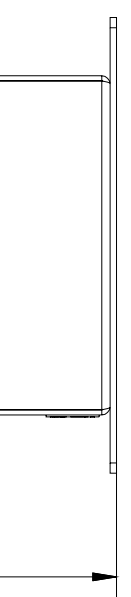
3

2

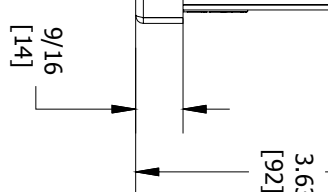
1

ENCLOSURE INFORMATION	
P/N:	23831KBAM
DESCRIPTION:	BOX SST 1F 1b, M20 BOTTOM
BOX:	23804BAB
COVER:	23804BAB
COVER SST 1F 1b, ONE DEVICE	
MOUNT METHOD:	HKH1BSPAM21A
HKH PANEL MOUNT BRACKET, C. B. & P. L. (1 PL.)	
350VAC, 20A - TUNGSSTEN	
AC230V 16A AC-12	
AC230V 16A AC-15	
50-60HZ	
DC60V 5A DC-13	
TERMINALS RATED FOR 1-2 CONDUCTORS	
#22-10 AWG. (0.5-4mm <sup>2</sup> )	

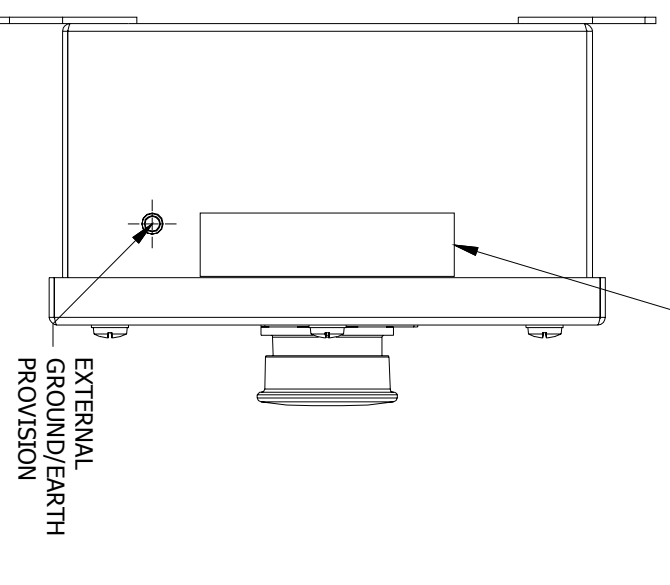
CONTACT BLOCK RATINGS:  
690 VAC, 20A, 50-60  
60 VDC, 5A, 110VDC, 1.5A



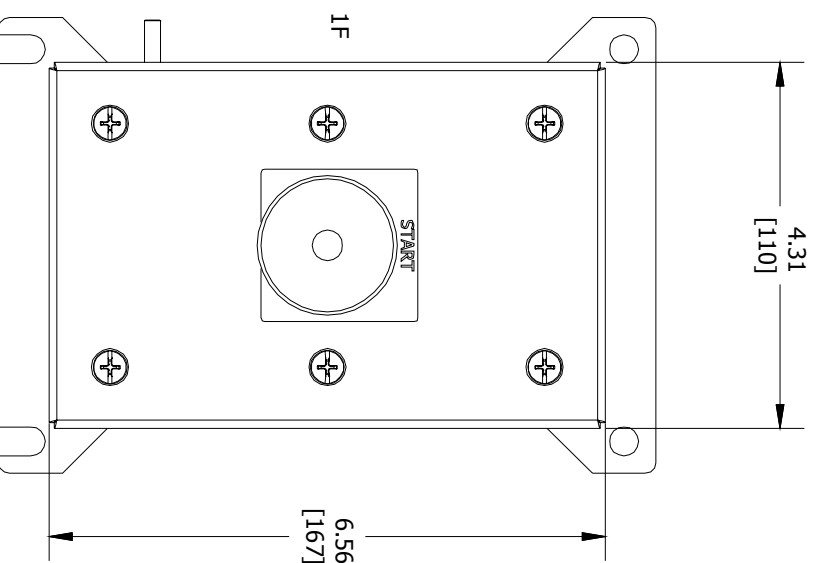
TOP VIEW



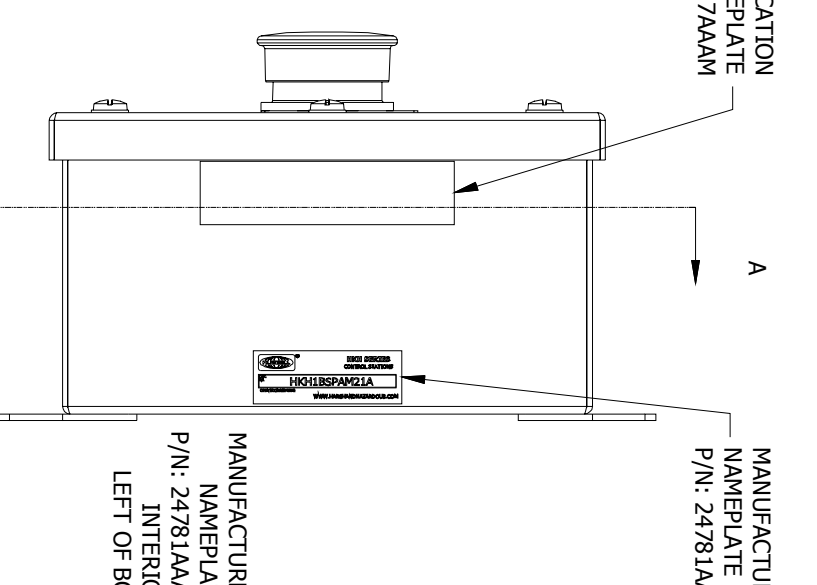
LEFT SIDE VIEW



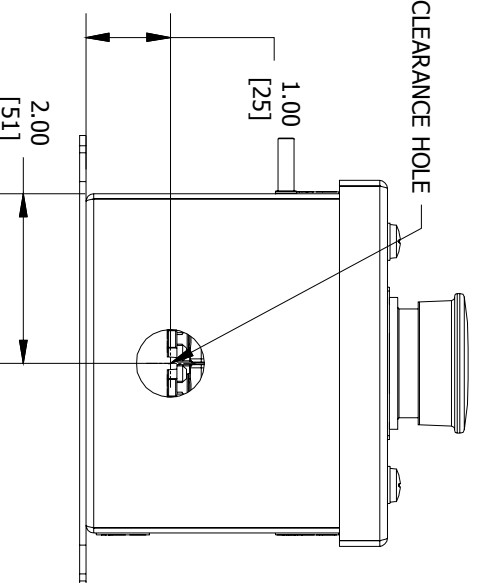
FRONT VIEW



RIGHT SIDE VIEW

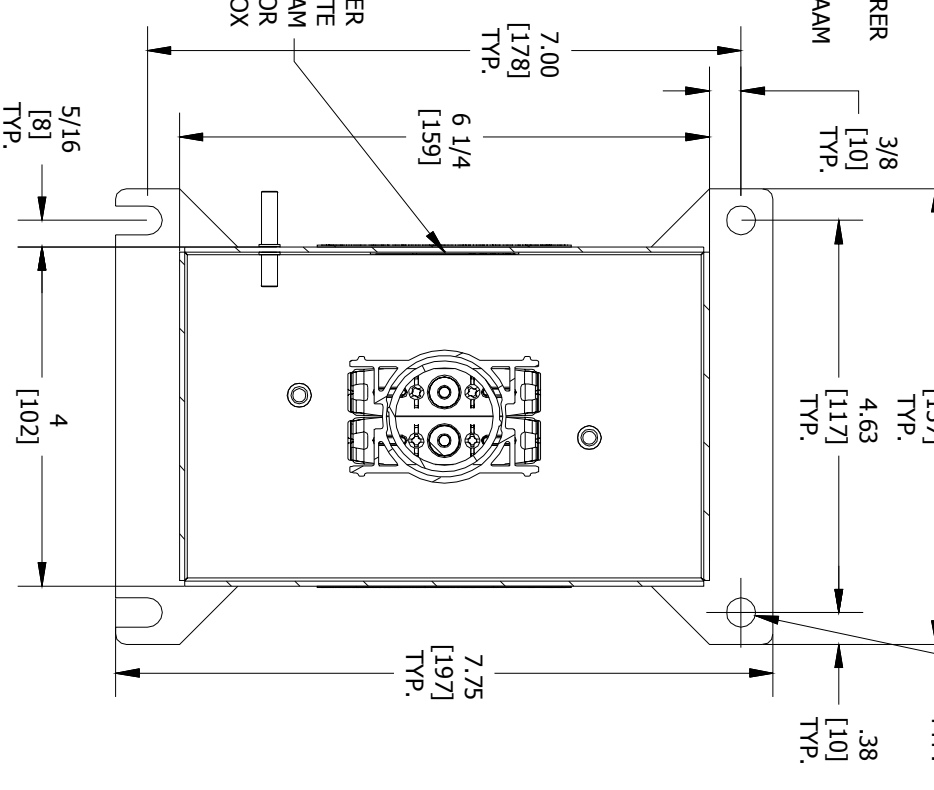
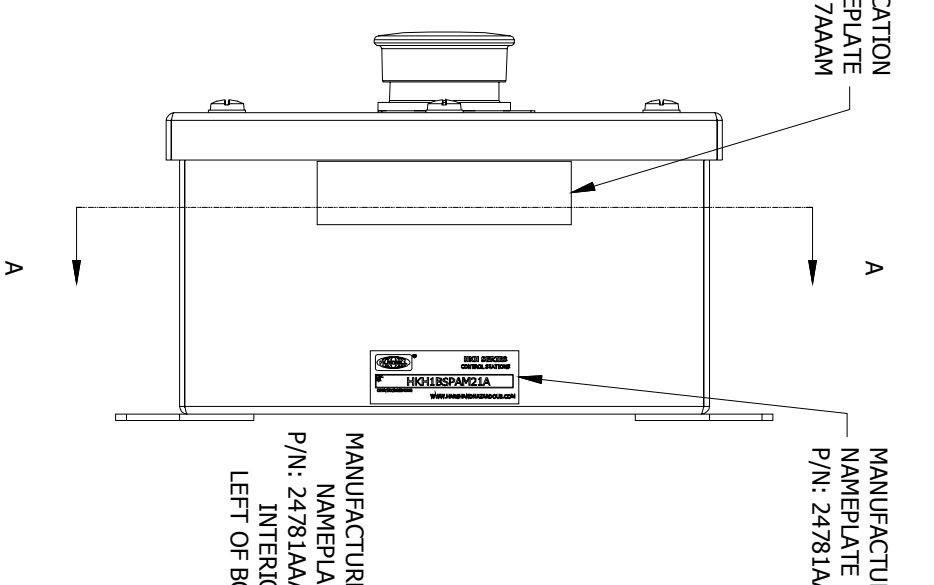
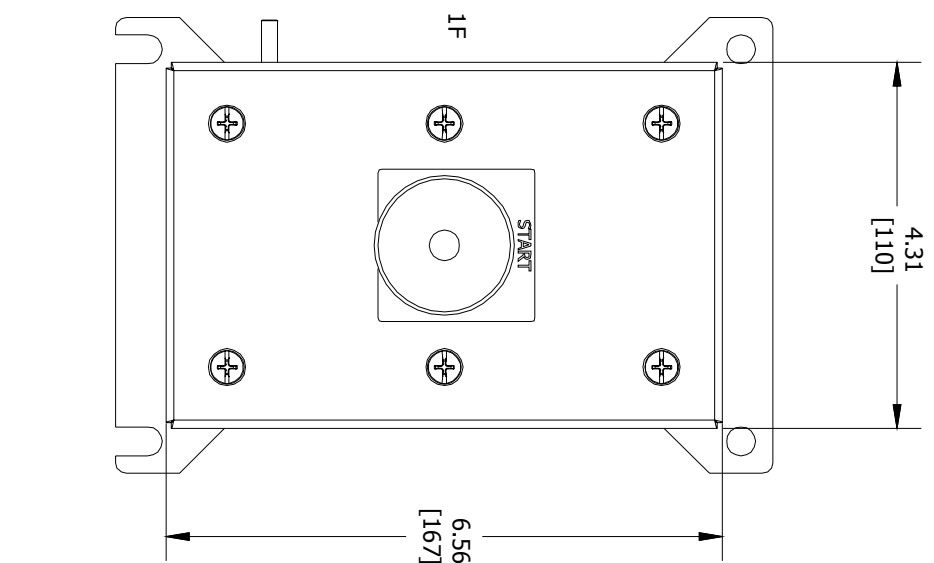
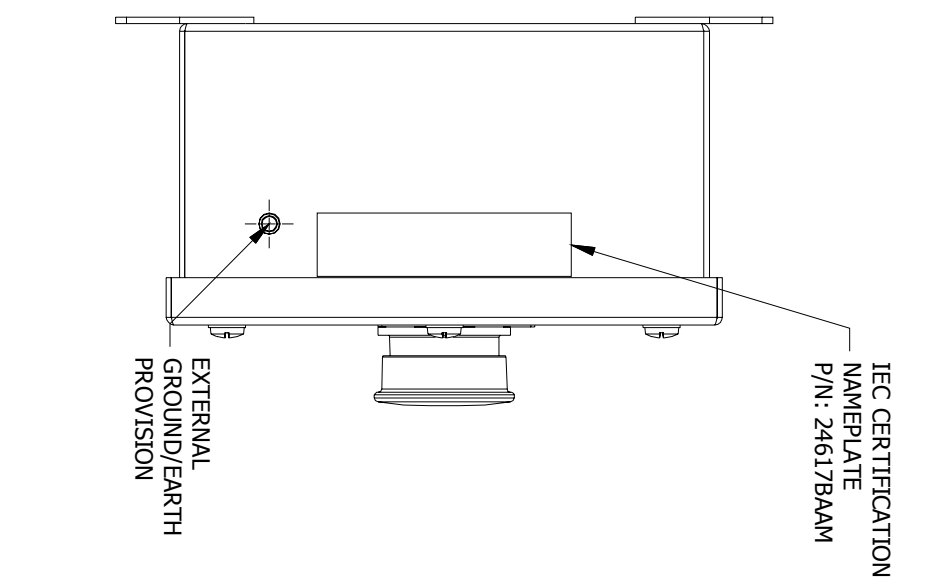


BOTTOM VIEW



		<b>CAT. NO. HKHMOD Series</b>		DATE CODE S/N ST. LOUIS, MO 63113	
Harsh & Hazardous 0539 112G Ex de IIC T6..T4 Gb DEMKO 15 ATEx I40SX Ex de IIC T6..T4 Gb Ex de IIC T85°C...T135°C Db IP66 IECEx II, III 15 005:XX -50°C ST1a5+60°C (-40°C ST1a5+55°C WITH AMMETER)		INDUSTRIAL CONTROL EQUIPMENT FOR USE IN ZONE CLASSIFIED HAZ. LOCS. CLASS I, ZONE 1, AEx de IIC T6..T4 Gb; Ex de IIC T6..T4 Gb ZONE 21, AEx de IIC T85°C...T135°C Db IP66; Ex de IIC T85°C...T135°C Db IP66 CLASS I, DIV.2, GRPS. A,B,C,D; CLASS II, DIV.1, GRPS. E,F,G (CANADA ONLY) CLASS II, DIV.2, GROUPS E,F,G, CLASS III CLASS III, TYPE 3/4/4X/12/13; -50°C ST1a5+60°C		TR RU C-US;MID02.B.04167 IEX 16.0079 INMETERO	
		<b>CAT. NO. HKHMOD Series</b>		DATE CODE S/N ST. LOUIS, MO 63113	
Harsh & Hazardous 0539 112G Ex de IIC T6..T4 Gb DEMKO 15 ATEx I40SX Ex de IIC T6..T4 Gb Ex de IIC T85°C...T135°C Db IP66 IECEx II, III 15 005:XX -50°C ST1a5+60°C (-40°C ST1a5+55°C WITH AMMETER)		INDUSTRIAL CONTROL EQUIPMENT FOR USE IN ZONE CLASSIFIED HAZ. LOCS. CLASS I, ZONE 1, AEx de IIC T6..T4 Gb; Ex de IIC T6..T4 Gb ZONE 21, AEx de IIC T85°C...T135°C Db IP66; Ex de IIC T85°C...T135°C Db IP66 CLASS I, DIV.2, GRPS. A,B,C,D; CLASS II, DIV.1, GRPS. E,F,G (CANADA ONLY) CLASS II, DIV.2, GROUPS E,F,G, CLASS III CLASS III, TYPE 3/4/4X/12/13; -50°C ST1a5+60°C		TR RU C-US;MID02.B.04167 IEX 16.0079 INMETERO	

CERTIFICATION NAME PLATES



SECTION A-A VIEW

ENTRY NO.	HUB/GLAND:
ENTRY 1	NONE

\*HUBS &amp; CABLE GLANDS ARE SHIPPED WITH ENCLOSURE

COMMENT:

SGN:

DATE:

ACCEPTANCE:

DRAWN BY:

DATE:

DWG NUMBER:

ENTRY HUB/GLAND SELECTION CHART*	
ENTRY NO.	HUB/GLAND:
ENTRY 1	NONE

COMMENT:

SGN:

DATE:

ACCEPTANCE:

DRAWN BY:

DATE:

DWG NUMBER:

COMMENT:

SGN:

DATE:

ACCEPTANCE:

DRAWN BY:

DATE:

DWG NUMBER:

ENTRY NO.	HUB/GLAND:
ENTRY 1	NONE

COMMENT:

SGN:

DATE:

ACCEPTANCE:

DRAWN BY:

DATE:

DWG NUMBER:

ENTRY NO.	HUB/GLAND:
ENTRY 1	NONE

COMMENT:

SGN:

DATE:

ACCEPTANCE:

DRAWN BY:

DATE:

DWG NUMBER:

ENTRY NO.	HUB/GLAND:
ENTRY 1	NONE

COMMENT:

SGN:

DATE:

ACCEPTANCE:

DRAWN BY:

DATE:

DWG NUMBER:

ENTRY NO.	HUB/GLAND:
ENTRY 1	NONE

COMMENT:

SGN:

DATE:

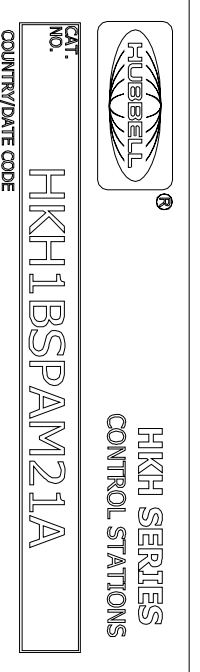
ACCEPTANCE:

DRAWN BY:

DATE:

DWG NUMBER:

ENTRY NO.	HUB/GLAND:
ENTRY 1	NONE



MFG. NAME PLATE (REF.)

REVISION



KILLARK

THIS DOCUMENT IS THE PROPERTY OF HUBBELL - KILLARK. IT IS LOANED TO YOU AND MUST NOT BE USED IN ANY WAY DETRIMENTAL TO THE INTEREST HUBBELL - KILLARK.

HKH MODIFIED ENCLOSURE (HKH1BSPAM21A)

SHEET 1 OF 1