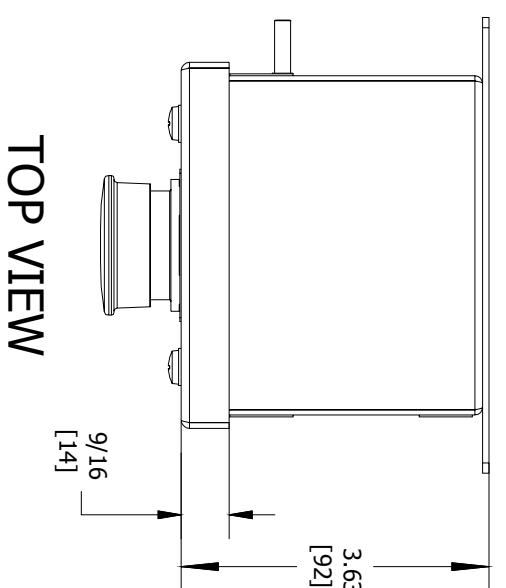
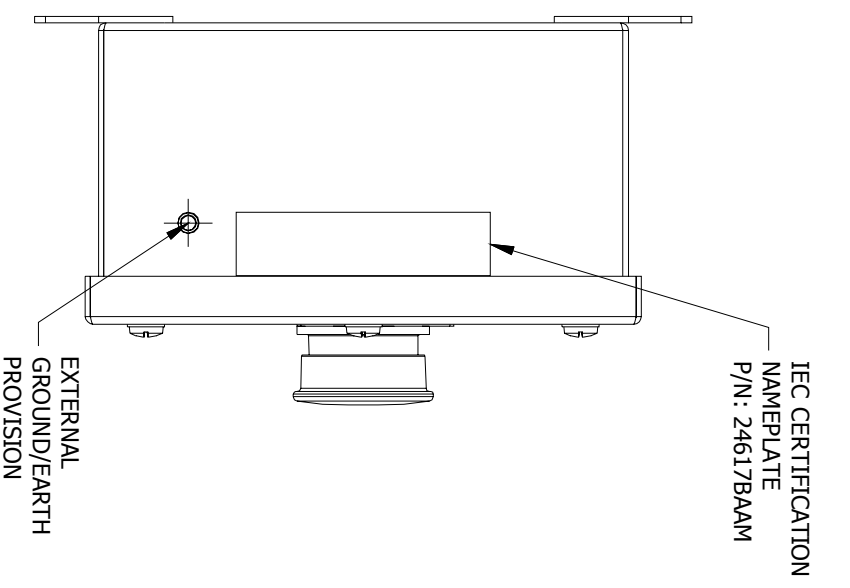


ENCLOSURE INFORMATION	
P/N:	DESCRIPTION:
23831KBAM	BOX SST 1F 1b, M20 BOTTOM
23804ABAB	COVER SST 1F 1b, ONE DEVICE
HKHPMBRKT	HKH PANEL MOUNT BRACKET, C. B. & P. L. (1 PL.)
MOUNT METHOD:	
DEVICE 1 ASSEMBLY (1F)	
P/N:	DESCRIPTION:
HKHPBMTNR	MAINTAINED PUSH PULL MUSHROOM HD, RED
2322SCAAB	LAM, STOP
LOCKOUT DEV.:	
N/A	
CONTACT 1:	CONTACT BLOCK, FACT SEALED N.O. PM, 20A
CONTACT 2:	CONTACT BLOCK, FACT SEALED N.O. PM, 20A

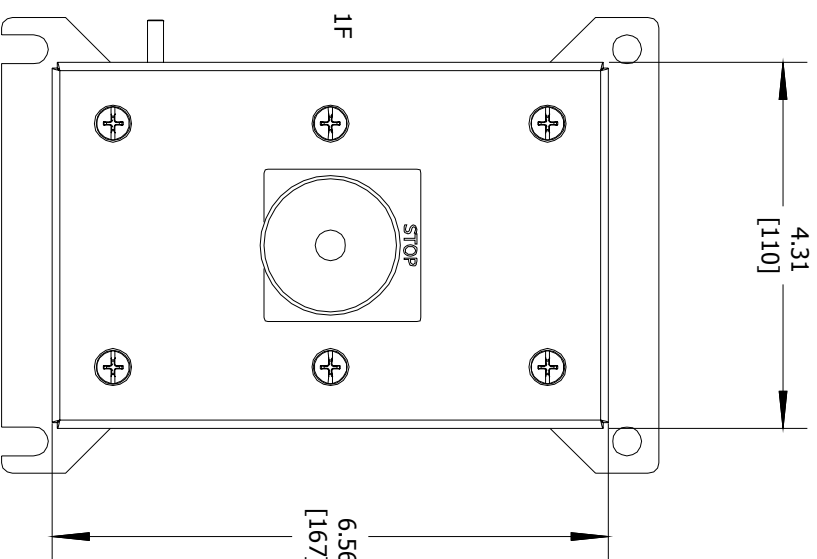
CONTACT BLOCK RATINGS:
690 VAC, 20A, 50-60
60 VDC, 5A, 110VDC, 1.5A
1/2 HP @ 120 VAC, 1 HP @ 208/240/277VAC
NEMA A600/P600 - PILOT DUTY
350VAC, 20A - TUNGSTEN
AC690V, 16A AC-12
AC230V, 16A AC-15
50-60HZ
DC60V, 5A DC-13
TERMINALS RATED FOR 1-2 CONDUCTORS
#22-10 AWG (0.5-4mm²)



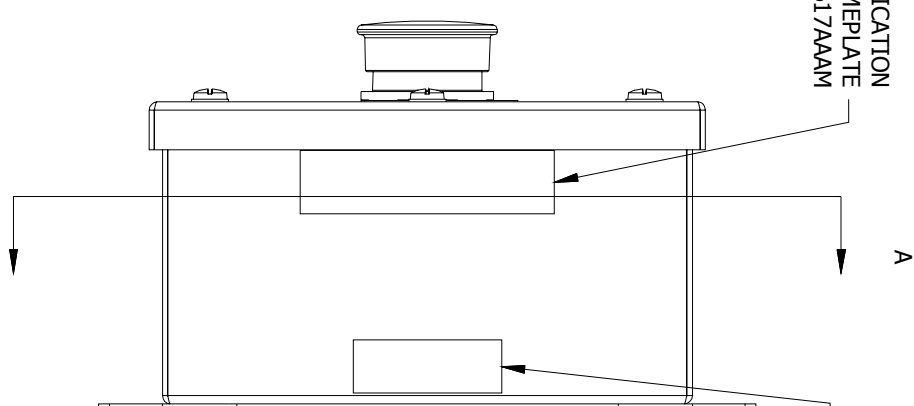
TOP VIEW



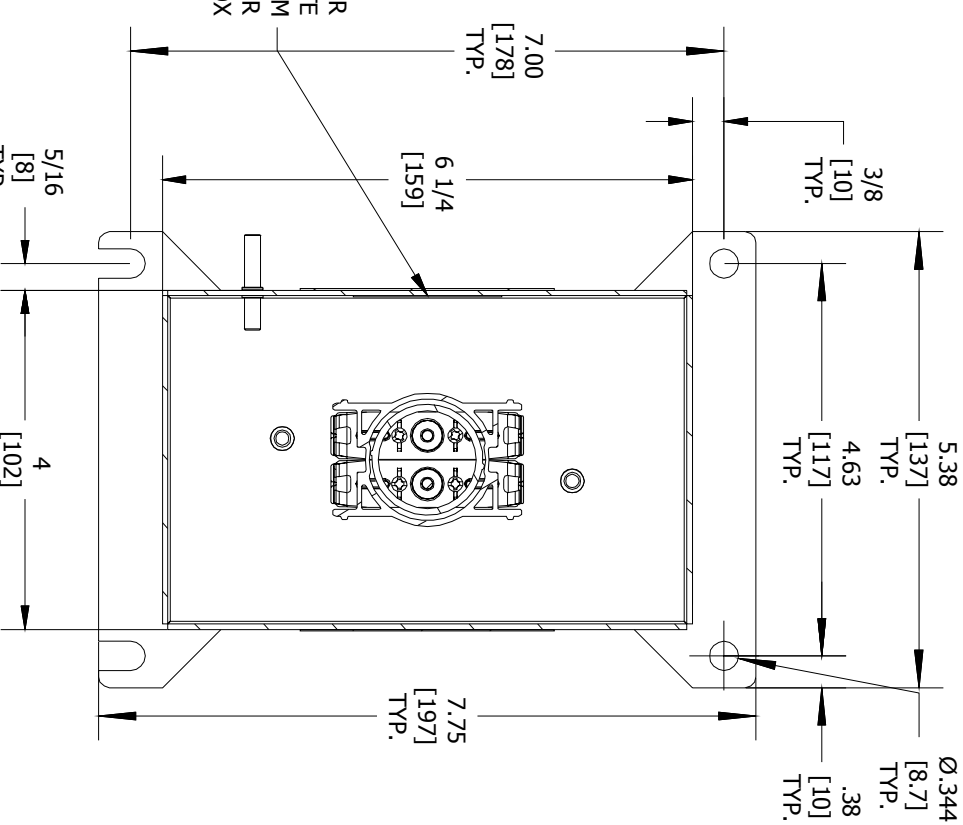
LEFT SIDE VIEW



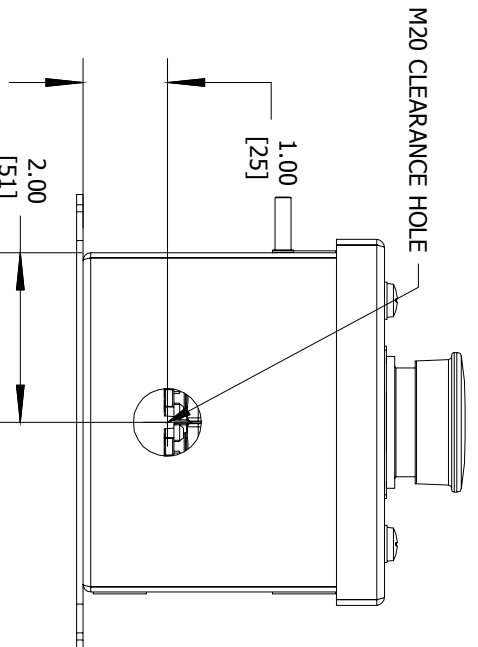
FRONT VIEW



RIGHT SIDE VIEW



SECTION A-A VIEW



BOTTOM VIEW

<p>Harsh & Hazardous CAT. NO. HKHMOD Series www.harshandhazardous.com</p>	<p>DATE CODE-S/N</p> <p>ST. LOUIS, MO 63113</p>
<p>INDUSTRIAL CONTROL EQUIPMENT FOR USE IN ZONE CLASSIFIED HAZ. LOCs. CLASS I, ZONE 1, AEx de IIC T6...T4 Gb; Ex de IIC T6...T4 Gb ZONE 21, AEx tb IIC T85°C...T135°C Db IP66; Ex tb IIC T85°C...T135°C Db IP66 CLASS I, DIV.2, GRPS. A,B,C,D; CLASS II, DIV.1, GRPS. E,F,G (CANADA ONLY) CLASS II, DIV.2, GROUPS E,F,G; CLASS III CLASS III: TYPE 3/4/4X/12/13; -50°C ≤Tas≤+60°C</p>	<p>TR RU C-US; MIO62B.04167 IEX 16.0079 INMETRO (-40°C ≤Tas≤+55°C WITH AMMETER)</p>
<p>0539 Ex de IIC T6...T4 Gb 0539 Ex tb IIC T85°C...T135°C Db IP66 DEMKO 15 ATEX 1405X Ex de IIC T6...T4 Gb Ex tb IIC T85°C...T135°C Db IP66 TECUL 13.0054X -40°C ≤Tas≤+60°C</p>	<p>EX FM I Securex UL LISTED A243</p>

CERTIFICATION NAME PLATES

COMMENT:	SGN:	DATE:	ACCEPTANCE:	DRAWN BY:	DATE:	DWG NUMBER:	ITEM:
			CODE 1: APPROVED (NO COMMENTS)			HKHIBSPAM41B	N/A
			CODE 2: APPROVED FOR MANUFACTURING WITH COMMENTS TO BE INCORPORATED				
			CODE 3: NOT APPROVED RE-SUBMIT				
			CODE 4: FOR INFORMATION ONLY				

COMMENT:

SGN:

DATE:

ACCEPTANCE:

DRAWN BY:

DATE:

DWG NUMBER:

ITEM:

HKH SERIES
CONTROL STATION

CAT. NO. **HKHIBSPAM41B**

COUNTRY/DATE CODE

WWW.HARSHANDHAZARDOUS.COM

REVISION



THIS DOCUMENT IS THE PROPERTY OF HUBBELL - KILLARK. IT IS LOANED TO YOU AND MUST NOT BE USED IN ANY WAY DETRIMENTAL TO THE INTEREST HUBBELL - KILLARK.

HKH MODIFIED ENCLOSURE (HKHIBSPAM41B)

SHEET 1 OF 2

ENTRY HUB/GLAND SELECTION CHART*

ENTRY NO.	HUB/GLAND:
ENTRY 1	NONE

*HUBS & CABLE GLANDS ARE SHIPPED WITH ENCLOSURE

SALES/QUOTE NO.:

ITEM: