

4

3

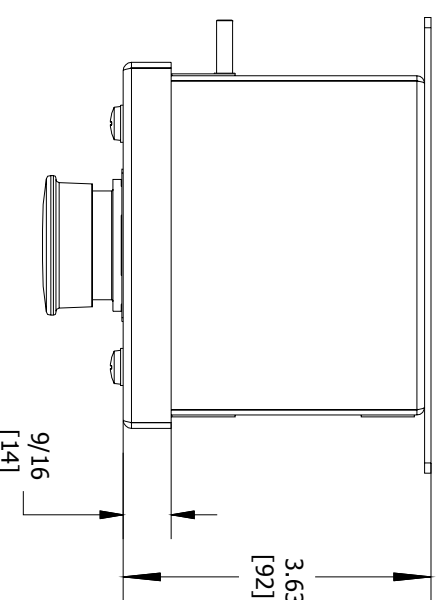
2

1

ENCLOSURE INFORMATION	
P/N:	DESCRIPTION:
23831KBAM	BOX SST 1F 1b, M20 BOTTOM
23804ABAB	COVER SST 1F 1b, ONE DEVICE
HKHMBRKT	HKH PANEL MOUNT BRACKET, C. B. & P. L. (1 PL.)
MOUNT METHOD:	
DEVICE 1 ASSEMBLY (1F)	
P/N:	DESCRIPTION:
HKHBPMTMG	MAINTAINED PUSH PULL MUSHROOM HD, GRN
23225BAAB	LAM, START
LEGEND PLATE:	
LOCKOUT DEV.:	
CONTACT 1:	
HKHINO20P	CONTACT BLCK, FACT SEALED N.O. PM, 20A
HKHINC20P	CONTACT BLCK, FACT SEALED N.O. PM, 20A

CONTACT BLOCK RATINGS:  
 690 VAC, 20A, 50-60  
 60 VDC, 5A, 110VDC, 1.5A

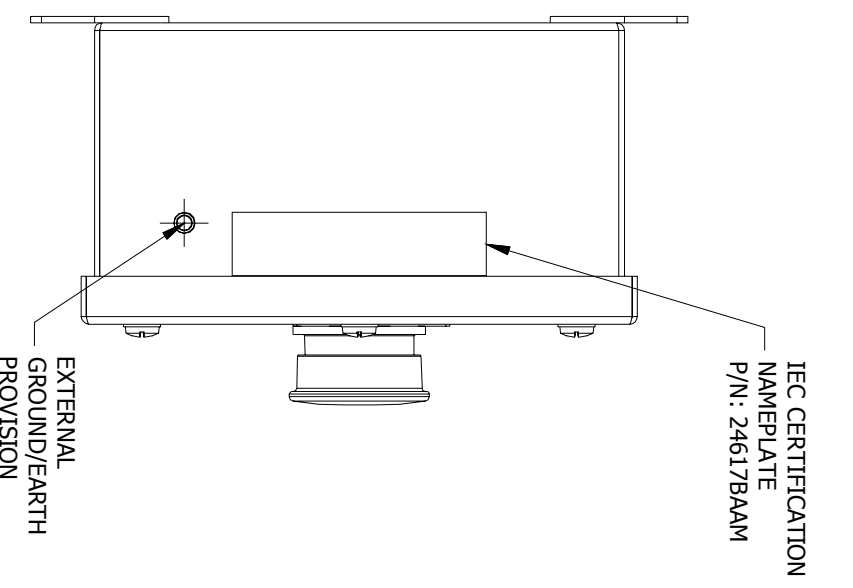
1/2 HP @ 120 VAC, 1 HP @ 208/240/277VAC  
 NEMA A600/P600 - PILOT DUTY  
 350VAC, 20A - TUNGSTEN  
 AC690V, 16A AC-12  
 AC230V, 16A AC-15  
 50-60HZ  
 DC60V, 5A DC-13  
 TERMINALS RATED FOR 1-2 CONDUCTORS  
 #22-10 AWG (0.5-4mm<sup>2</sup>)



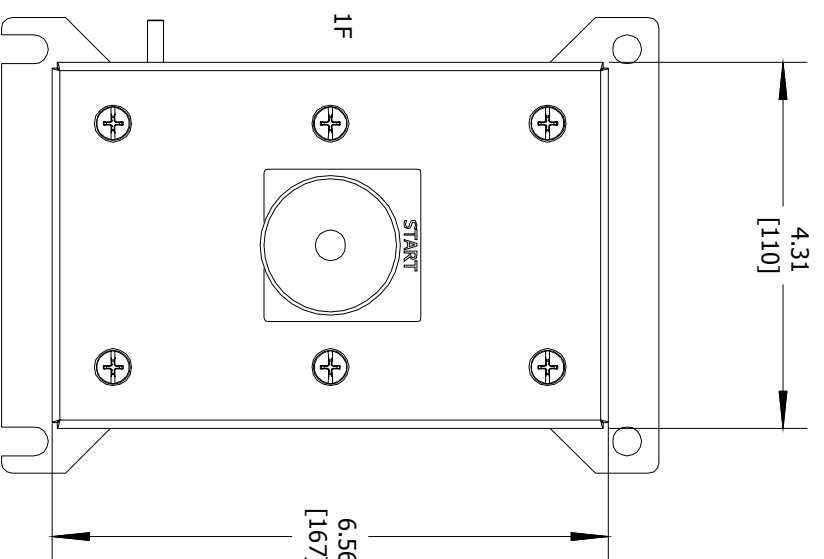
TOP VIEW

 Harsh & Hazardous <a href="http://WWW.HARSHANDHAZARDOUS.COM">WWW.HARSHANDHAZARDOUS.COM</a>	<b>CAT. NO.</b> <b>HKHMOD Series</b>	<b>DATE CODE S/N</b> ST. LOUIS, MO 63113
	<b>INDUSTRIAL CONTROL EQUIPMENT FOR USE IN ZONE CLASSIFIED HAZ. LOCS.</b> CLASS I, ZONE 1, AEx de IIC T6..T4 Gb; Ex de IIC T6..T4 Gb CLASS I, AEx tb IIIC T85°C...T135°C Db IP66; Ex tb IIIC T85°C...T135°C Db IP66 CLASS I, DIV.2, GRPS. A,B,C,D; CLASS II, DIV.1, GRPS. E,F,G (CANADA ONLY) CLASS II, DIV.2, GROUPS E,F,G; CLASS III CLASS III, TYPE 3/4/4X/12/13; -50°C STAs+60°C SEE IOM FORM K1466 FOR ELECTRICAL RATINGS.	<b>SEE IOM FORM K1466 &amp; K1470</b> ST. LOUIS, MO 63113 <b>FOR T-CODES AND FOR ELECTRICAL RATINGS.</b> SECURITY

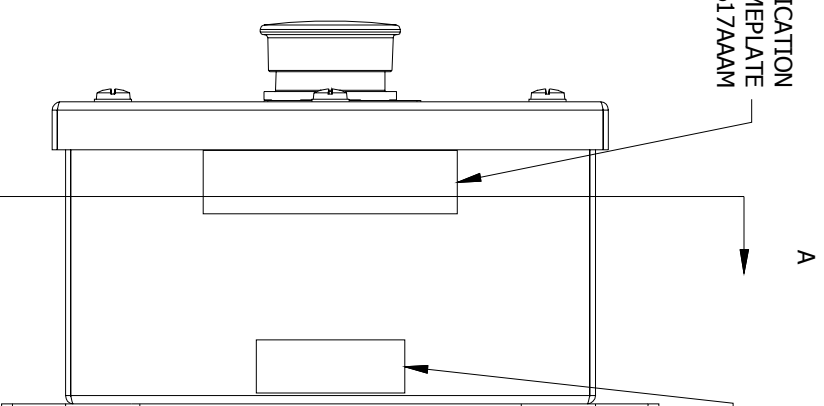
CERTIFICATION NAME PLATES



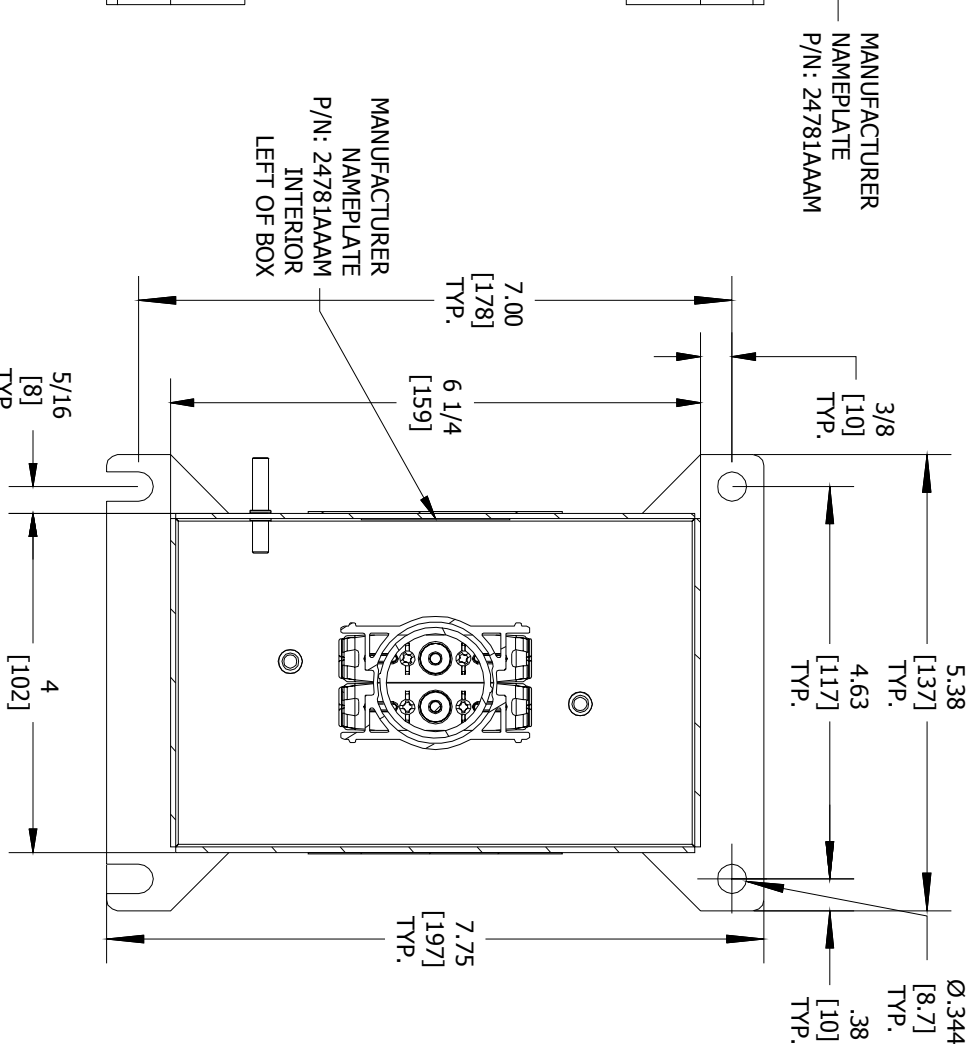
LEFT SIDE VIEW



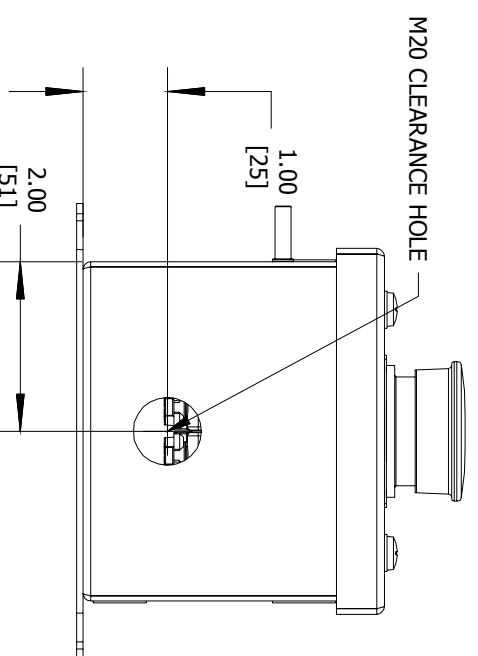
FRONT VIEW



RIGHT SIDE VIEW



SECTION A-A VIEW



BOTTOM VIEW

COMMENT:

SGN:

DATE:

ACCEPTANCE:

DRAWN BY:

DATE:

DWG NUMBER:

ENTRY NO. HUB/GLAND:

ENTRY 1 NONE

ITEM:

CODE 1: APPROVED (NO COMMENTS)

CODE 2: APPROVED FOR MANUFACTURING

WITH COMMENTS TO BE INCORPORATED

CODE 3: NOT APPROVED RE-SUBMIT

CODE 4: FOR INFORMATION ONLY

PR

10/21/2016

SALES/QUOTE NO.:

N/A

N/A

 HARSH & HAZARDOUS	<b>HKH SERIES</b> <b>CONTROL STATION</b>
	<b>CAT. NO.</b> <b>HKH1BSPAM51A</b>
<b>COUNTRY/DATE CODE</b>	<b>WWW.HARSHANDHAZARDOUS.COM</b>

REVISION



KILLARK

THIS DOCUMENT IS THE PROPERTY OF HUBBELL - KILLARK. IT IS LOANED TO YOU AND MUST NOT BE USED IN ANY WAY DETRIMENTAL TO THE INTEREST HUBBELL - KILLARK.

HKH MODIFIED ENCLOSURE (HKH1BSPAM51A)

SHEET 1 OF 1

ENTRY HUB/GLAND SELECTION CHART\*

ENTRY NO.	HUB/GLAND:
ENTRY 1	NONE

\*HUBS & CABLE GLANDS ARE SHIPPED WITH ENCLOSURE

A

B

C

D

A

B

C

D