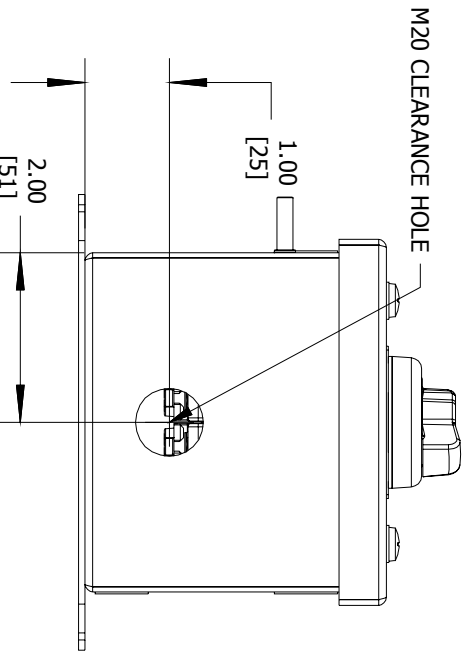
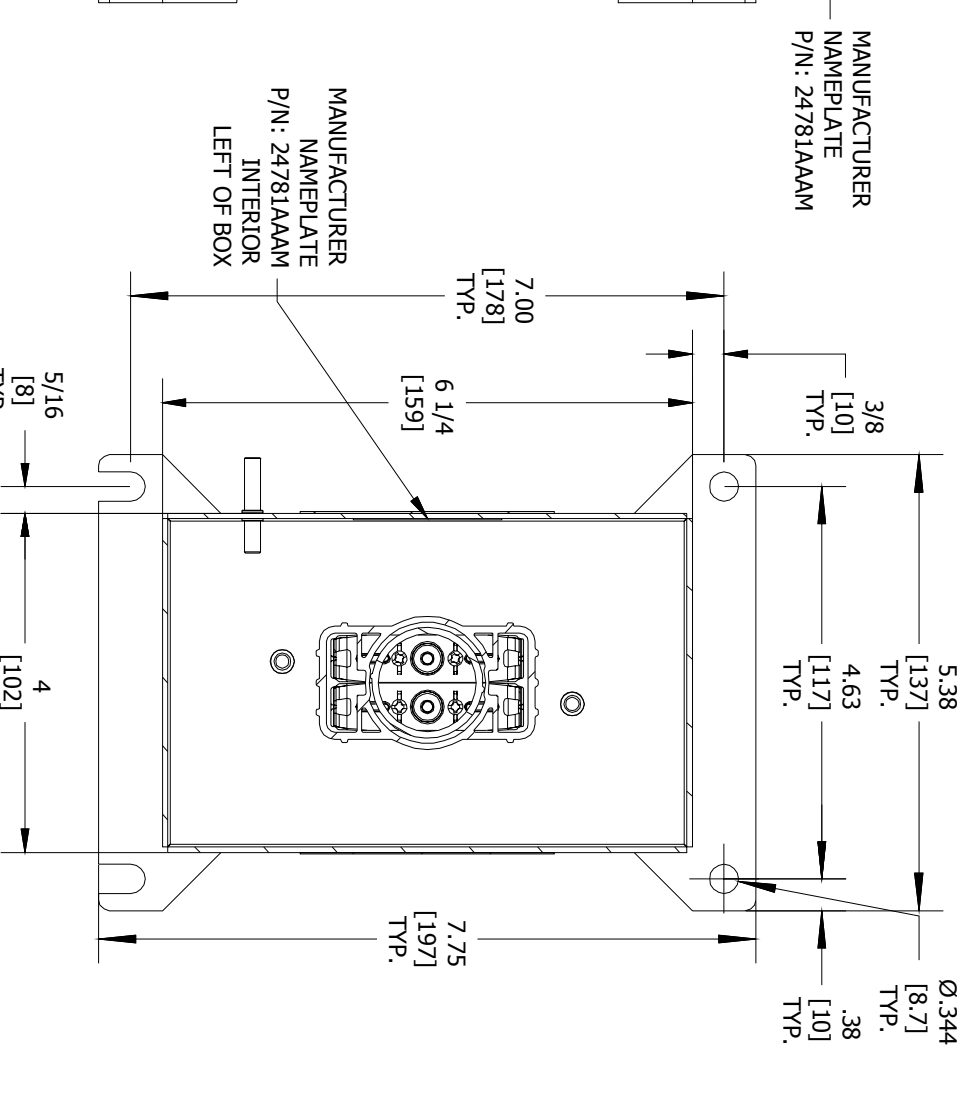
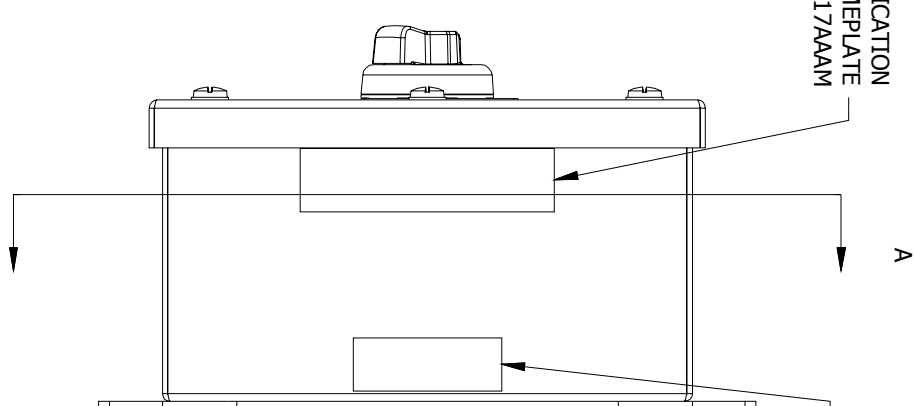
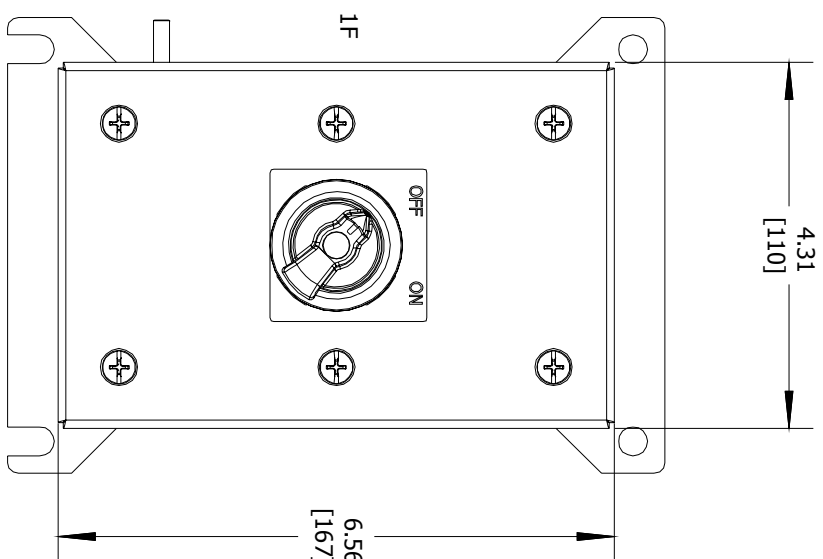
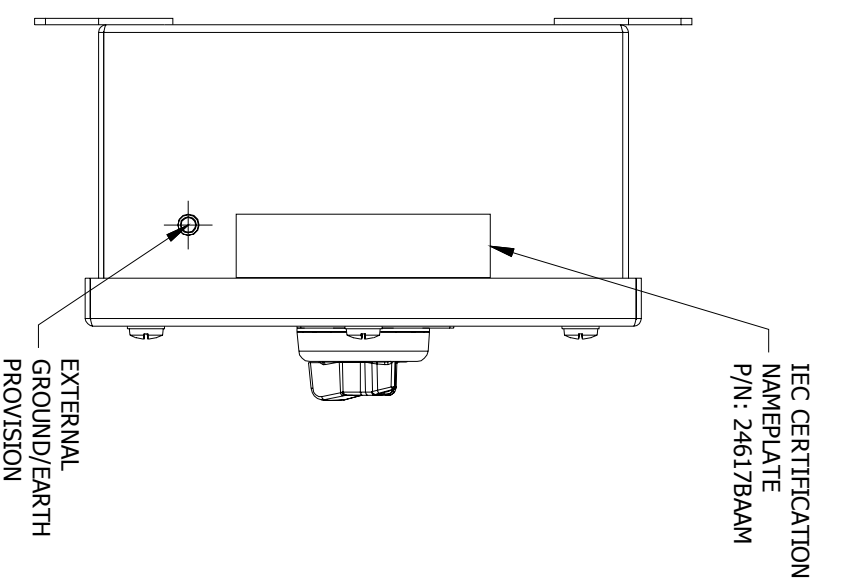
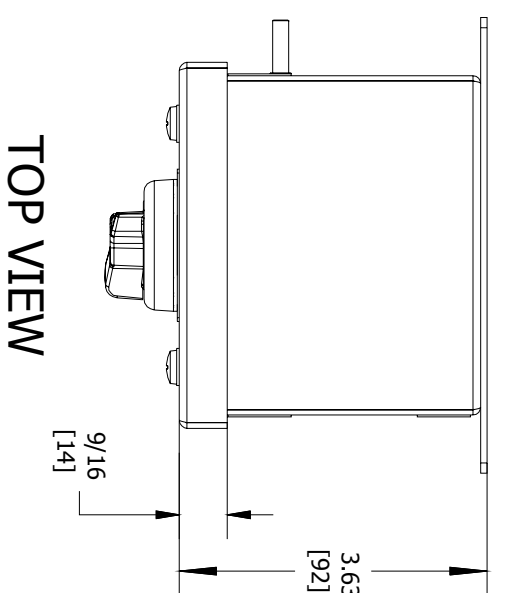


ENCLOSURE INFORMATION	
P/N:	DESCRIPTION:
23831KBAM	BOX SST IF 1b, M20 BOTTOM
23804BAB	COVER SST IF 1b, ONE DEVICE
HKHPMBKT	HKH PANEL MOUNT BRACKET, C. B. & P. L. (1 PL.)
MOUNT METHOD:	
DEVICE 1 ASSEMBLY (1F)	
P/N:	DESCRIPTION:
HKH2PSMTH	2 POS SEL SWT MAINTAINED CONTACT, HORIZ
23225BAB	LAM, OFF ON
LOCKOUT DEV.:	
N/A	
CONTACT 1:	CONTACT BLOCK, FACT SEALED N.O. PM, 20A
CONTACT 2:	CONTACT BLOCK, FACT SEALED N.C. PM, 20A

CONTACT BLOCK RATINGS:
690 VAC, 20A, 50-60
60 VDC, 5A, 110VDC, 1.5A
1/2 HP @ 120 VAC, 1 HP @ 208/240/277VAC
NEMA A600/P600 - PILOT DUTY
350VAC, 20A - TUNGSTEN
AC690V, 16A AC-12
AC230V, 16A AC-15
50-60HZ
DC60V, 5A DC-13
TERMINALS RATED FOR 1-2 CONDUCTORS
#22-10 AWG (0.5-4mm²)



HUBBELL
Harsh & Hazardous
CAT. NO. **HKHMOD Series**
WWW.HARSHANDHAZARDOUS.COM
DATE CODE S/N

INDUSTRIAL CONTROL EQUIPMENT FOR USE IN ZONE CLASSIFIED HAZ. LOCS.
CLASS I, ZONE 1, AEx de IIC T6...T4 Gb; Ex de IIC T6...T4 Gb
ZONE 21, AEx tb IIC T85°C...T135°C Db IP66; Ex tb IIC T85°C...T135°C Db IP66
CLASS I, DIV.2, GRPS. A,B,C,D, CLASS II, DIV.1, GRPS. E,F,G (CANADA ONLY)
CLASS II, DIV.2, GROUPS E,F,G; CLASS III
CLASS III, TYPE 3/4/4X/12/13; -50°C ≤Ta≤+60°C

SEE IOM FORM K1466 FOR ELECTRICAL RATINGS.

ST. LOUIS, MO 63113
A243 LISTED

TR RU C-US, MID62.B.04167 IEX 16.0079 INMETRO
(40°C ≤Ta≤+55°C WITH AMMETER)

FOR T-CODES AND FOR ELECTRICAL RATINGS.
SEE IOM FORM K1466 & K1470
ST. LOUIS, MO 63113

UL LISTED
A243

HUBBELL
Harsh & Hazardous
CAT. NO. **HKHMOD Series**
WWW.HARSHANDHAZARDOUS.COM
DATE CODE S/N

INDUSTRIAL CONTROL EQUIPMENT FOR USE IN ZONE CLASSIFIED HAZ. LOCS.
CLASS I, ZONE 1, AEx de IIC T6...T4 Gb; Ex de IIC T6...T4 Gb
ZONE 21, AEx tb IIC T85°C...T135°C Db IP66; Ex tb IIC T85°C...T135°C Db IP66
CLASS I, DIV.2, GRPS. A,B,C,D, CLASS II, DIV.1, GRPS. E,F,G (CANADA ONLY)
CLASS II, DIV.2, GROUPS E,F,G; CLASS III
CLASS III, TYPE 3/4/4X/12/13; -50°C ≤Ta≤+60°C

SEE IOM FORM K1466 FOR ELECTRICAL RATINGS.

ST. LOUIS, MO 63113
A243 LISTED

TR RU C-US, MID62.B.04167 IEX 16.0079 INMETRO
(40°C ≤Ta≤+55°C WITH AMMETER)

FOR T-CODES AND FOR ELECTRICAL RATINGS.
SEE IOM FORM K1466 & K1470
ST. LOUIS, MO 63113

UL LISTED
A243

LEFT SIDE VIEW

FRONT VIEW

RIGHT SIDE VIEW

SECTION A-A VIEW

BOTTOM VIEW

ENTRY HUB/GLAND SELECTION CHART*

ENTRY NO.	HUB/GLAND:
ENTRY 1	NONE

*HUBS & CABLE GLANDS ARE SHIPPED WITH ENCLOSURE

COMMENT:	SGN:	DATE:	ACCEPTANCE:	DRAWN BY:	DATE:	DWG NUMBER:	ITEM:
			CODE 1: APPROVED (NO COMMENTS)	HKHIBSPAS11S	10/26/2016	HKHIBSPAS11S	N/A
			CODE 2: APPROVED FOR MANUFACTURING WITH COMMENTS TO BE INCORPORATED				
			CODE 3: NOT APPROVED RE-SUBMIT				
			CODE 4: FOR INFORMATION ONLY				

REVISION	3	2	1
REVISION	3	2	1
REVISION	3	2	1

HUBBELL
HKH SERIES
CONTROL STATION
CAT. NO. **HKHIBSPAS11S**
WWW.HARSHANDHAZARDOUS.COM

A

B

C

D

4

3

2

1

A

B

C

D

SHEET 1 OF 1