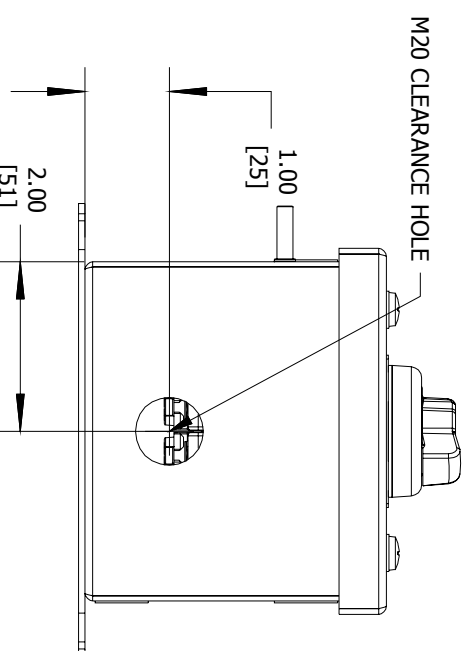
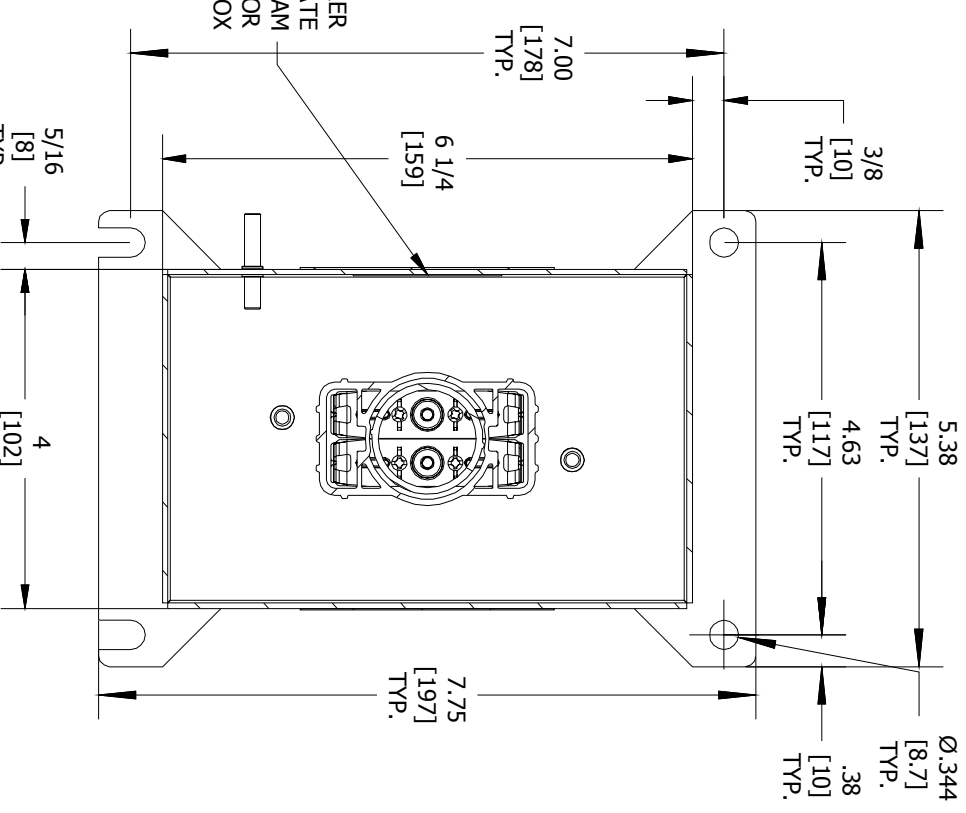
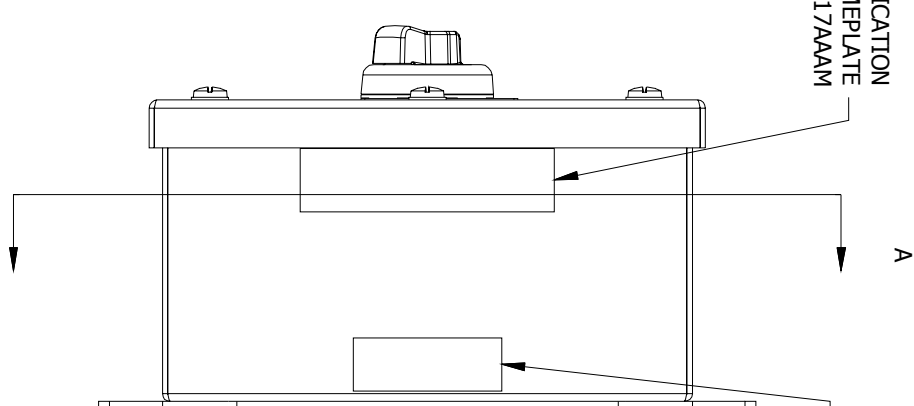
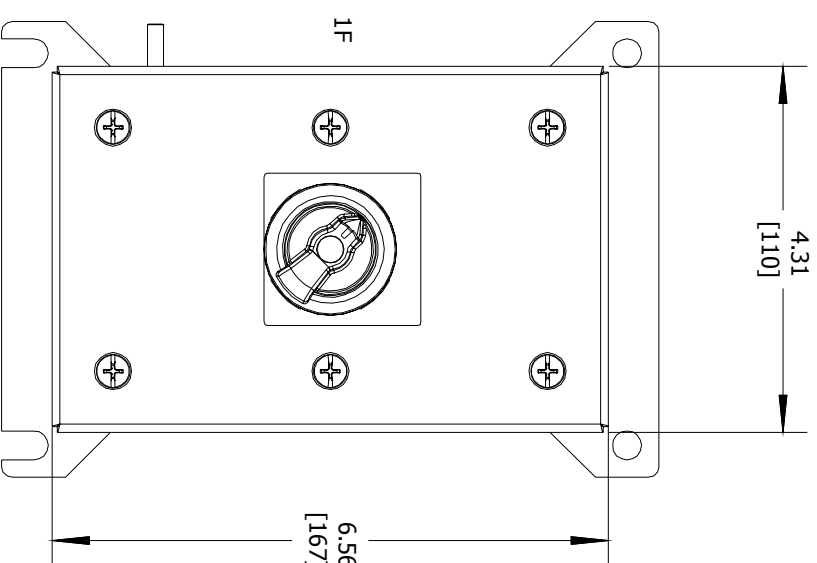
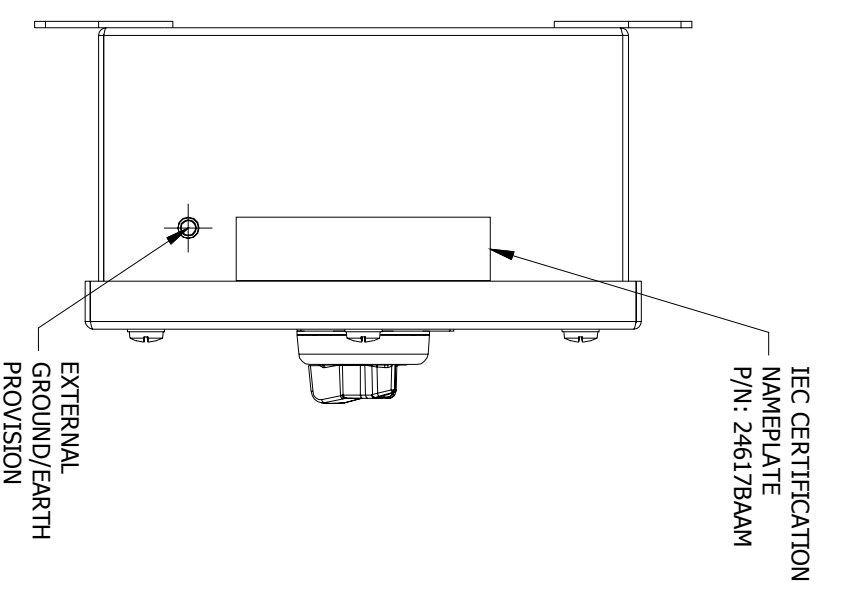
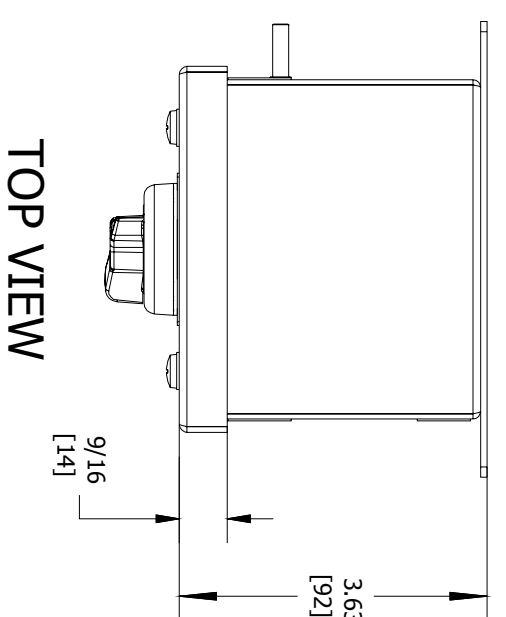


ENCLOSURE INFORMATION	
P/N:	DESCRIPTION:
23831KBAM	BOX SST IF 1b, M20 BOTTOM
23804BAB	COVER SST IF 1b, ONE DEVICE
HKHPMBKT	HKH PANEL MOUNT BRACKET, C. B. & P. L. (1 PL.)
MOUNT METHOD:	
DEVICE 1 ASSEMBLY (1F)	
P/N:	DESCRIPTION:
HKH2PSMRH	2 POS SEL SWT MOMENTARY RIGHT, HORIZ
23225AAB	LAM, BLANK
LOCKOUT DEV.:	
N/A	
CONTACT 1:	CONTACT BLOCK, FACT SEALED N.O. PM, 20A
CONTACT 2:	CONTACT BLOCK, FACT SEALED N.C. PM, 20A

CONTACT BLOCK RATINGS:
690 VAC, 20A, 50-60
60 VDC, 5A, 110VDC, 1.5A
1/2 HP @ 120 VAC, 1 HP @ 208/240/277VAC
NEMA A600/P600 - PILOT DUTY
350VAC, 20A - TUNGSTEN
AC690V, 16A AC-12
AC230V, 16A AC-15
50-60HZ
DC60V, 5A DC-13
TERMINALS RATED FOR 1-2 CONDUCTORS
#22-10 AWG (0.5-4mm²)



<p>Harsh & Hazardous 0539 I12G Ex de IIC T6...T4 Gb 0539 I12D Ex tb IIC T85°C...T135°C Db IP66 Ex de IIC T6...T4 Gb Ex tb IIC T85°C...T135°C Db IP66 TECEx UL 15,005A 50°C STaS+60°C 40°C STaS+55°C WITH AMMETER)</p>	<p>INDUSTRIAL CONTROL EQUIPMENT FOR USE IN ZONE CLASSIFIED HAZ. LOCs. CLASS I, ZONE 1, AEx de IIC T6...T4 Gb; Ex de IIC T6...T4 Gb ZONE 21, AEx tb IIC T85°C...T135°C Db IP66; Ex tb IIC T85°C...T135°C Db IP66 CLASS I, DIV.2, GRPS. A,B,C,D; CLASS II, DIV.1, GRPS. E,F,G (CANADA ONLY) CLASS II, DIV.2, GROUPS E,F,G; CLASS III CLASS III: TYPE 3/4/4X/12/13; -50°C ≤Ta≤+60°C</p>	<p>TR RU C-US-MIO62.B-04167 IEX 16.0079 INMETRO</p>	<p>DATE CODE-S/N</p>
<p>Harsh & Hazardous 0539 I12G Ex de IIC T6...T4 Gb 0539 I12D Ex tb IIC T85°C...T135°C Db IP66 Ex de IIC T6...T4 Gb Ex tb IIC T85°C...T135°C Db IP66 TECEx UL 15,005A 50°C STaS+60°C 40°C STaS+55°C WITH AMMETER)</p>	<p>INDUSTRIAL CONTROL EQUIPMENT FOR USE IN ZONE CLASSIFIED HAZ. LOCs. CLASS I, ZONE 1, AEx de IIC T6...T4 Gb; Ex de IIC T6...T4 Gb ZONE 21, AEx tb IIC T85°C...T135°C Db IP66; Ex tb IIC T85°C...T135°C Db IP66 CLASS I, DIV.2, GRPS. A,B,C,D; CLASS II, DIV.1, GRPS. E,F,G (CANADA ONLY) CLASS II, DIV.2, GROUPS E,F,G; CLASS III CLASS III: TYPE 3/4/4X/12/13; -50°C ≤Ta≤+60°C</p>	<p>TR RU C-US-MIO62.B-04167 IEX 16.0079 INMETRO</p>	<p>DATE CODE-S/N</p>

CERTIFICATION NAME PLATES

LEFT SIDE VIEW

FRONT VIEW

RIGHT SIDE VIEW

SECTION A-A VIEW

BOTTOM VIEW

COMMENT:

SGN:

DATE:

ACCEPTANCE:

DRAWN BY:

DATE:

CODE 1: APPROVED (NO COMMENTS)

CODE 2: APPROVED FOR MANUFACTURING

WITH COMMENTS TO BE INCORPORATED

CODE 3: NOT APPROVED RE-SUBMIT

CODE 4: FOR INFORMATION ONLY

TITLE:

ENTRY HUB/GLAND SELECTION CHART*

ENTRY NO. HUB/GLAND:

ENTRY 1 NONE

*HUBS & CABLE GLANDS ARE SHIPPED WITH ENCLOSURE

DWG NUMBER:
HKH1BSPAS210

SALES/QUOTE NO.:

ITEM:
N/A

REVISION



THIS DOCUMENT IS THE PROPERTY OF HUBBELL - KILLARK. IT IS LOANED TO YOU AND MUST NOT BE USED IN ANY WAY DETRIMENTAL TO THE INTEREST HUBBELL - KILLARK.

HKH MODIFIED ENCLOSURE
(HKH1BSPAS210)

SHEET 1 OF 2