

4

3

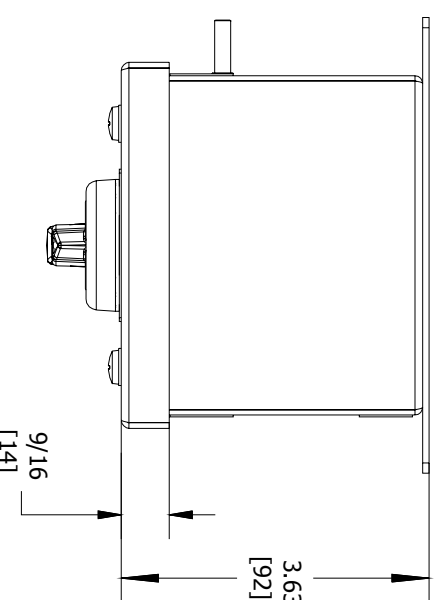
2

1

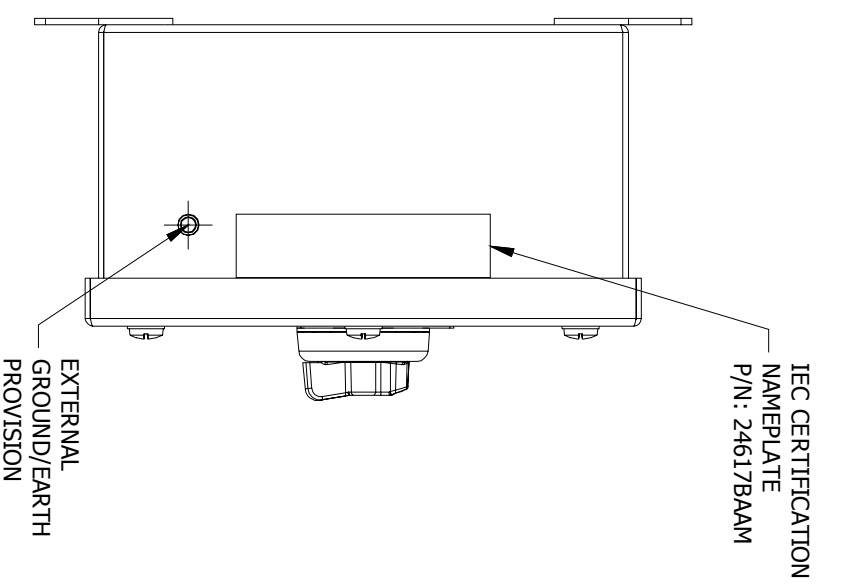
ENCLOSURE INFORMATION	
P/N:	DESCRIPTION:
23831KBAM	BOX SST IF 1b, M20 BOTTOM
23804BAB	COVER SST IF 1b, ONE DEVICE
HKHPMBKT	HKH PANEL MOUNT BRACKET, C. B. & P. L. (1 PL.)
MOUNT METHOD:	
DEVICE 1 ASSEMBLY (1F)	
P/N:	DESCRIPTION:
HKH3PSMRH	3 POS SEL SWT MAINT LT/CTR, MOM RT,HORIZ
23225AAB	LAM, BLANK
LOCKOUT DEV.:	
N/A	
CONTACT 1:	CONTACT BLOCK, FACT SEALED N.O. PM, 20A
HKHINO20P	
CONTACT 2:	CONTACT BLOCK, FACT SEALED N.O. PM, 20A
HKHINO20P	

CONTACT BLOCK RATINGS:
 690 VAC, 20A, 50-60
 60 VDC, 5A, 110VDC, 1.5A

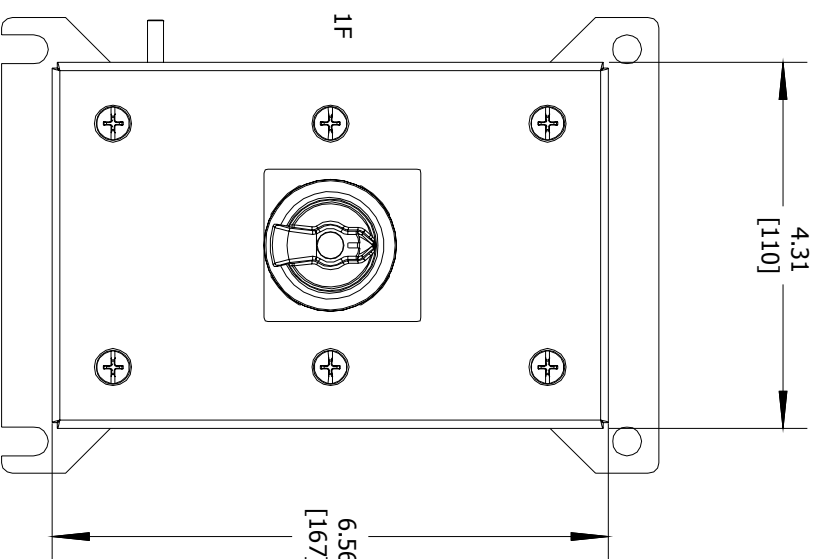
1/2 HP @ 120 VAC, 1 HP @ 208/240/277VAC
 NEMA A600/PE00 - PILOT DUTY
 350VAC, 20A - TUNGSTEN
 AC690V, 16A AC-12
 AC230V, 16A AC-15
 50-60HZ
 DCGOV 5A DC-13
 TERMINALS RATED FOR 1-2 CONDUCTORS
 #22-10 AWG (0.5-4mm²)



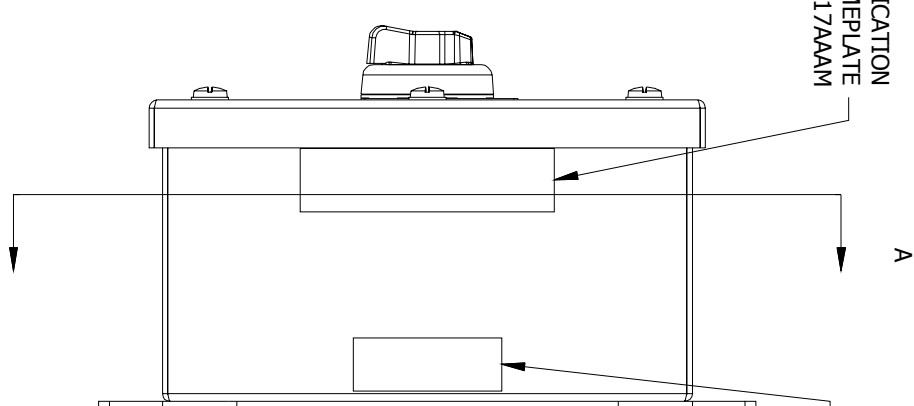
TOP VIEW



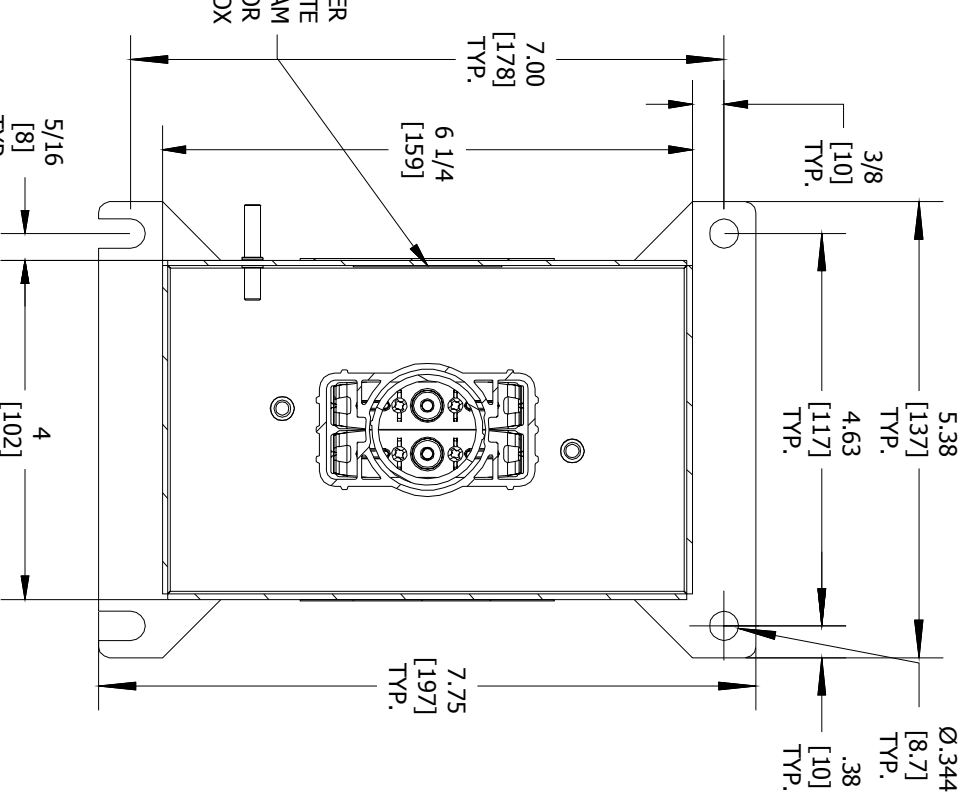
LEFT SIDE VIEW



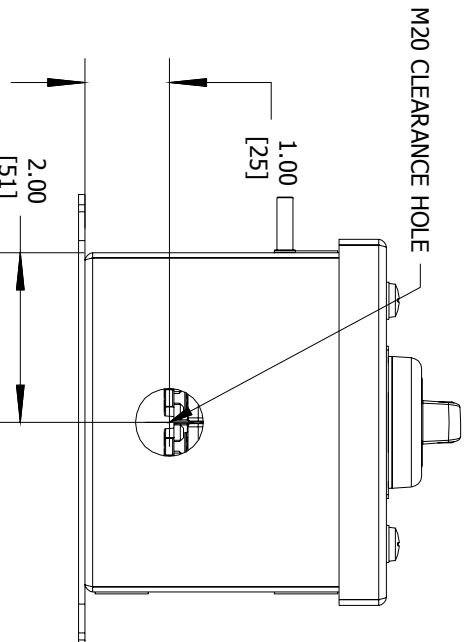
FRONT VIEW



RIGHT SIDE VIEW



SECTION A-A VIEW



BOTTOM VIEW

HUBBELL
Harsh & Hazardous

CAT. NO. **HKHMOD Series**

DATE CODE-S/N

ST. LOUIS, MO 63113

INDUSTRIAL CONTROL EQUIPMENT FOR USE IN ZONE CLASSIFIED HAZ. LOCs.
 CLASS I, ZONE 1, AEx de IIC T6...T4 Gb; Ex de IIC T6...T4 Gb
 CLASS I, ZONE 1, AEx de IIC T85°C...T135°C Db IP66; Ex tb IIC T85°C...T135°C Db IP66
 CLASS I, DIV.2, GRPS. A,B,C,D; CLASS II, DIV.1, GRPS. E,F,G (CANADA ONLY)
 CLASS II, DIV.2, GROUPS EFG; CLASS III
 CLASS III: TYPE 3/4/4X/12/13; -50°C ≤Ta≤+60°C

SEE IOM FORM K1466 FOR ELECTRICAL RATINGS.

TR RU C-US; MIO62.B.04167 IEX 16.0079 INMETRO

FOR T-CODES AND FOR ELECTRICAL RATINGS.

ST. LOUIS, MO 63113

DATE CODE-S/N

INDUSTRIAL CONTROL EQUIPMENT FOR USE IN ZONE CLASSIFIED HAZ. LOCs.
 CLASS I, ZONE 1, AEx de IIC T6...T4 Gb; Ex de IIC T6...T4 Gb
 CLASS I, ZONE 1, AEx de IIC T85°C...T135°C Db IP66; Ex tb IIC T85°C...T135°C Db IP66
 CLASS I, DIV.2, GRPS. A,B,C,D; CLASS II, DIV.1, GRPS. E,F,G (CANADA ONLY)
 CLASS II, DIV.2, GROUPS EFG; CLASS III
 CLASS III: TYPE 3/4/4X/12/13; -50°C ≤Ta≤+60°C

SEE IOM FORM K1466 FOR ELECTRICAL RATINGS.

HUBBELL
Harsh & Hazardous

CAT. NO. **HKHMOD Series**

DATE CODE-S/N

ST. LOUIS, MO 63113

INDUSTRIAL CONTROL EQUIPMENT FOR USE IN ZONE CLASSIFIED HAZ. LOCs.
 CLASS I, ZONE 1, AEx de IIC T6...T4 Gb; Ex de IIC T6...T4 Gb
 CLASS I, ZONE 1, AEx de IIC T85°C...T135°C Db IP66; Ex tb IIC T85°C...T135°C Db IP66
 CLASS I, DIV.2, GRPS. A,B,C,D; CLASS II, DIV.1, GRPS. E,F,G (CANADA ONLY)
 CLASS II, DIV.2, GROUPS EFG; CLASS III
 CLASS III: TYPE 3/4/4X/12/13; -50°C ≤Ta≤+60°C

SEE IOM FORM K1466 FOR ELECTRICAL RATINGS.

TR RU C-US; MIO62.B.04167 IEX 16.0079 INMETRO

FOR T-CODES AND FOR ELECTRICAL RATINGS.

ST. LOUIS, MO 63113

DATE CODE-S/N

INDUSTRIAL CONTROL EQUIPMENT FOR USE IN ZONE CLASSIFIED HAZ. LOCs.
 CLASS I, ZONE 1, AEx de IIC T6...T4 Gb; Ex de IIC T6...T4 Gb
 CLASS I, ZONE 1, AEx de IIC T85°C...T135°C Db IP66; Ex tb IIC T85°C...T135°C Db IP66
 CLASS I, DIV.2, GRPS. A,B,C,D; CLASS II, DIV.1, GRPS. E,F,G (CANADA ONLY)
 CLASS II, DIV.2, GROUPS EFG; CLASS III
 CLASS III: TYPE 3/4/4X/12/13; -50°C ≤Ta≤+60°C

SEE IOM FORM K1466 FOR ELECTRICAL RATINGS.

CERTIFICATION NAME PLATES

COMMENT:	SGN:	DATE:	ACCEPTANCE:	DRAWN BY:	DATE:	DWG NUMBER:	ENTRY NO.	HUB/GLAND:
			CODE 1: APPROVED (NO COMMENTS)		10/27/2016	HKHIBSPASS540	ENTRY 1	NONE
			CODE 2: APPROVED FOR MANUFACTURING WITH COMMENTS TO BE INCORPORATED					
			CODE 3: NOT APPROVED RE-SUBMIT					
			CODE 4: FOR INFORMATION ONLY					
			TITLE:					
			HKH MODIFIED ENCLOSURE					
			(HKHIBSPASS540)					

ENTRY HUB/GLAND SELECTION CHART*

ENTRY NO.	HUB/GLAND:
ENTRY 1	NONE

*HUBS & CABLE GLANDS ARE SHIPPED WITH ENCLOSURE

REVISION	3	2	1
COMMENT:	DATE:	BY:	DESCRIPTION:

REVISION	3	2	1
COMMENT:	DATE:	BY:	DESCRIPTION:

REVISION	3	2	1
COMMENT:	DATE:	BY:	DESCRIPTION:

REVISION	3	2	1
COMMENT:	DATE:	BY:	DESCRIPTION:

REVISION	3	2	1
COMMENT:	DATE:	BY:	DESCRIPTION:

REVISION	3	2	1
COMMENT:	DATE:	BY:	DESCRIPTION:

REVISION	3	2	1
COMMENT:	DATE:	BY:	DESCRIPTION:

HUBBELL

HKH SERIES
CONTROL STATION

CAT. NO. **HKHIBSPASS540**

COUNTRY/DATE CODE

WWW.HARSHANDHAZARDOUS.COM

4

3

2

1

A

A

A

A