

4

3

2

1

ENCLOSURE INFORMATION	
P/N:	DESCRIPTION:
23198CBAM	BOX PLASTIC 1C, 3/4 NPT BOTTOM
COVER:	COVER PLASTIC HKH 1C, THREE DEVICE
2319SCAAB	NEMA A600/PE600 - PILOT DUTY
MOUNT METHOD:	ASSY, DIN RAIL HKH 3 TIER
23203CAAB	AC690V, 16A AC-12

CONTACT BLOCK RATINGS:
690 VAC, 20A, 50-60
60 VDC, 5A, 110VDC, 1.5A

1/2 HP @ 120 VAC, 1 HP @ 208/240/277VAC
NEMA A600/PE600 - PILOT DUTY
350VAC, 20A - TUNGSTEN
AC690V, 16A AC-12
AC230V, 16A AC-15
50-60HZ
DC60V, 5A, DC-13
TERMINALS RATED FOR 1-2 CONDUCTORS
#22-10 AWG. (0.5-4mm²)

DEVICE 1 ASSEMBLY (1F)	
P/N:	DESCRIPTION:
HKHPLR	PILOT LIGHT RED LENS ASSEMBLY
LEGEND PLATE:	LAM, BLANK
23225AAB	
LOCKOUT DEV.:	N/A
N/A	
CONTACT 1:	PILOT LIGHT MOD, DM
HKHPLD	

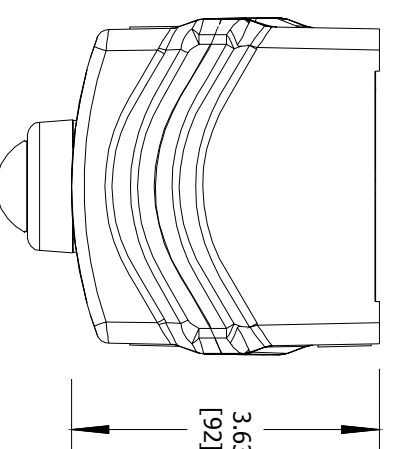
PILOT LIGHT RATINGS:
LIGHT EMITTING DIODE
12-254 VAC/VDC LED
0.6WTERMINALS RATED FOR 1-2 CONDUCTORS
#22-10 AWG. (0.5-4mm²)

DEVICE 2 ASSEMBLY (2F)

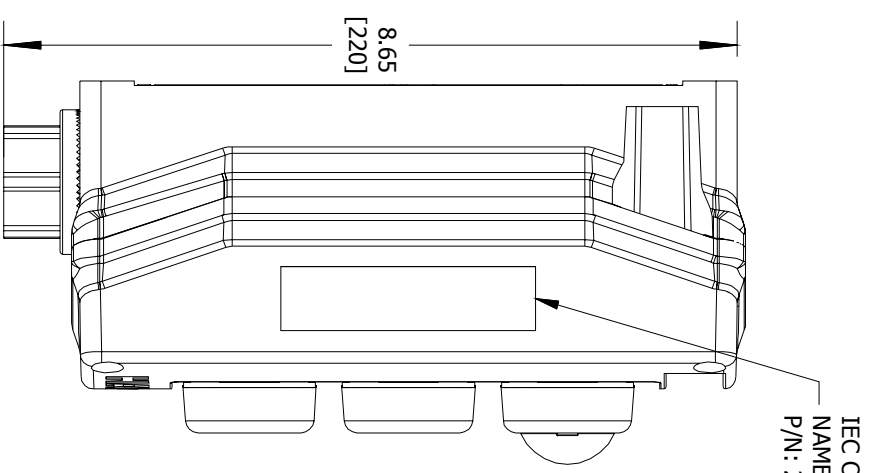
P/N:	DESCRIPTION:
HKHBMSS	PUSH BUTTON, MOM.,STOP
LEGEND PLATE:	N/A
NONE	
LOCKOUT DEV.:	N/A
NONE	
CONTACT 1:	CONTACT BLCK, FACT SEALED N.O. DRM, 20A
HKHINO20D	
CONTACT 2:	CONTACT BLCK, FACT SEALED N.C. DRM, 20A
HKHINC20D	

DEVICE 3 ASSEMBLY (3F)

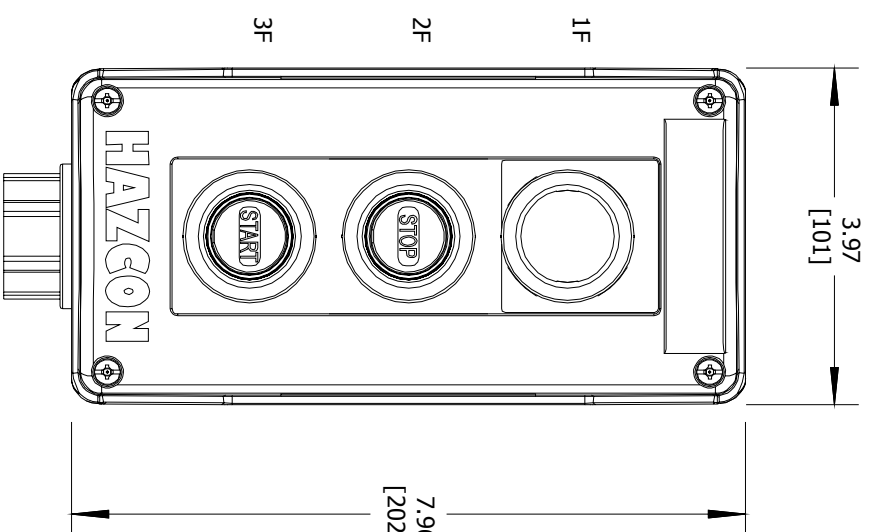
P/N:	DESCRIPTION:
HKHBMSS	PUSH BUTTON, MOM.,START
LEGEND PLATE:	N/A
NONE	
LOCKOUT DEV.:	N/A
NONE	
CONTACT 1:	CONTACT BLCK, FACT SEALED N.O. DRM, 20A
HKHINO20D	
CONTACT 2:	CONTACT BLCK, FACT SEALED N.C. DRM, 20A
HKHINC20D	



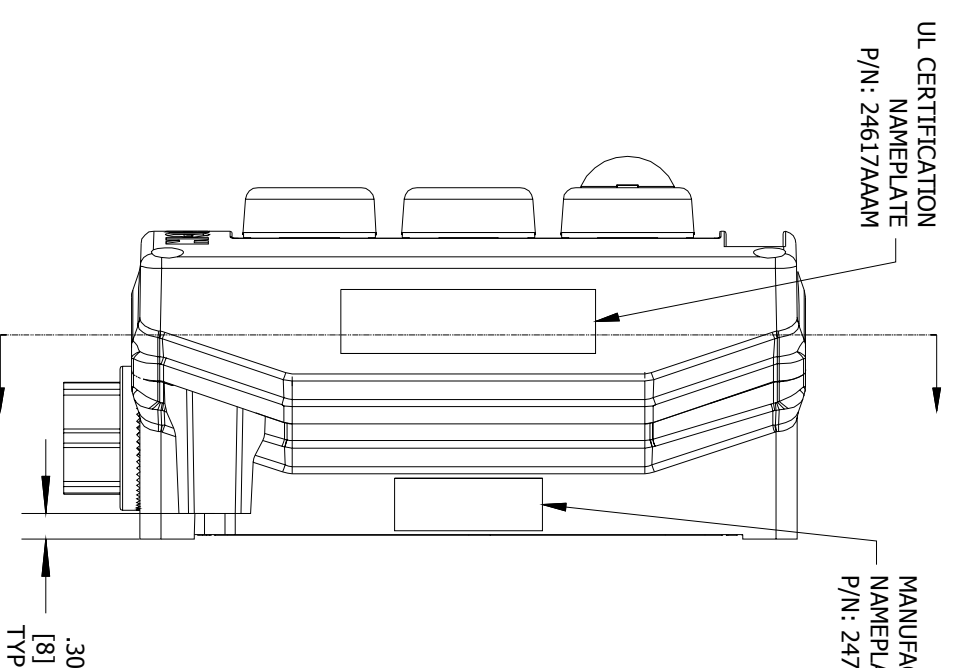
TOP VIEW



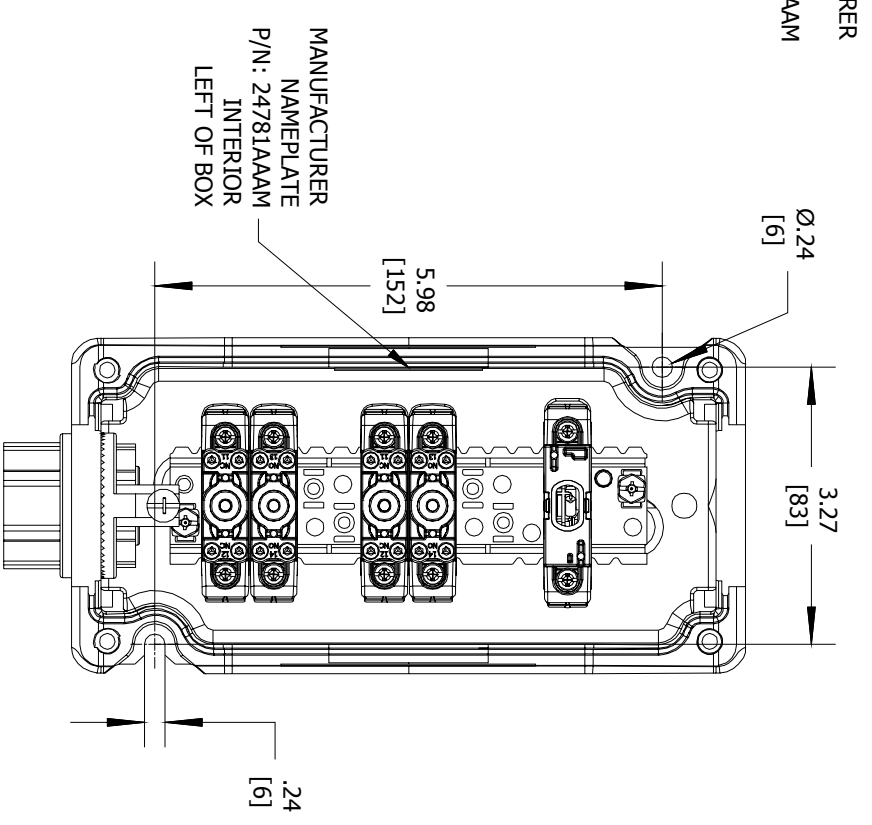
LEFT SIDE VIEW



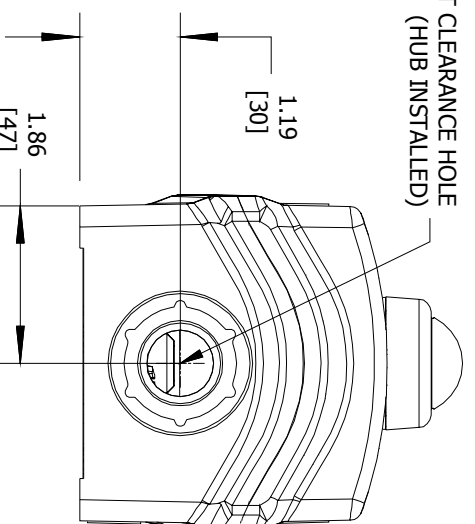
FRONT VIEW



RIGHT SIDE VIEW



SECTION A-A VIEW



BOTTOM VIEW

3/4 NPT CLEARANCE HOLE
(HUB INSTALLED)

	CAT. NO. HKHMOD Series	DATE CODE S/N ST. LOUIS, MO 63113		INDUSTRIAL CONTROL EQUIPMENT FOR USE IN ZONE CLASSIFIED HAZ. LOCS. CLASS I, ZONE 1, AEx de IIC T6..T4 Gb; Ex de IIC T6..T4 Gb CLASS 21, AEx tb IIC T85°C...T135°C Db IP66; Ex tb IIC T85°C...T135°C Db IP66 CLASS I, DIV.2, GRPs, A,B,C,D; CLASS II, DIV 1, GRPs, E,F,G (CANADA ONLY) CLASS II, DIV.2, GROUPS E,F,G; CLASS III CLASS III, TYPE 3/4/4X/12/13; -50°C STAs+60°C
	CAT. NO. HKHMOD Series	DATE CODE S/N ST. LOUIS, MO 63113		INDUSTRIAL CONTROL EQUIPMENT FOR USE IN ZONE CLASSIFIED HAZ. LOCS. CLASS I, ZONE 1, AEx de IIC T6..T4 Gb; Ex de IIC T6..T4 Gb CLASS 21, AEx tb IIC T85°C...T135°C Db IP66; Ex tb IIC T85°C...T135°C Db IP66 CLASS I, DIV.2, GRPs, A,B,C,D; CLASS II, DIV 1, GRPs, E,F,G (CANADA ONLY) CLASS II, DIV.2, GROUPS E,F,G; CLASS III CLASS III, TYPE 3/4/4X/12/13; -50°C STAs+60°C

	CAT. NO. HKHMOD Series	DATE CODE S/N ST. LOUIS, MO 63113		INDUSTRIAL CONTROL EQUIPMENT FOR USE IN ZONE CLASSIFIED HAZ. LOCS. CLASS I, ZONE 1, AEx de IIC T6..T4 Gb; Ex de IIC T6..T4 Gb CLASS 21, AEx tb IIC T85°C...T135°C Db IP66; Ex tb IIC T85°C...T135°C Db IP66 CLASS I, DIV.2, GRPs, A,B,C,D; CLASS II, DIV 1, GRPs, E,F,G (CANADA ONLY) CLASS II, DIV.2, GROUPS E,F,G; CLASS III CLASS III, TYPE 3/4/4X/12/13; -50°C STAs+60°C
--	---	---	--	--

CERTIFICATION NAME PLATES

SEE IOM FORM K1466 FOR ELECTRICAL RATINGS.



ENTRY HUB/GLAND SELECTION CHART*	
ENTRY NO.	HUB/GLAND:
ENTRY 1	K8: WH-2SSG

*HUBS & CABLE GLANDS ARE SHIPPED WITH ENCLOSURE

COMMENT:

SGN:

DATE:

ACCEPTANCE:

DRAWN BY:

DATE:

DWG NUMBER:

ENTRY HUB/GLAND SELECTION CHART*

A

COMMENT:

SGN:

DATE:

ACCEPTANCE:

DRAWN BY:

DATE:

DWG NUMBER:

ENTRY HUB/GLAND SELECTION CHART*

A

COMMENT:

SGN:

DATE:

ACCEPTANCE:

DRAWN BY:

DATE:

DWG NUMBER:

ENTRY HUB/GLAND SELECTION CHART*

A

COMMENT:

SGN:

DATE:

ACCEPTANCE:

DRAWN BY:

DATE:

DWG NUMBER:

ENTRY HUB/GLAND SELECTION CHART*

A

REVISION

SGN:

DATE:

ACCEPTANCE:

DRAWN BY:

DATE:

DWG NUMBER:

ENTRY HUB/GLAND SELECTION CHART*

A

4

3

2

1

	HKH SERIES CONTROL STATION
CAT. NO. HKHMOD000001	
COUNTRY/DATE CODE	
WWW.HARSHANDHAZARDOUS.COM	

REVISION	DATE	DESCRIPTION
1		INITIAL RELEASE
2		REVISION
3		REVISION
4		REVISION

REVISION	DATE	DESCRIPTION
1		INITIAL RELEASE
2		REVISION
3		REVISION
4		REVISION

A