

4

3

2

1

| ENCLOSURE INFORMATION | |
|-----------------------|------------------------------------|
| P/N: | DESCRIPTION: |
| 23198CBAM | BOX PLASTIC 1C, 3/4 NPT BOTTOM |
| 2319SCAAB | COVER PLASTIC HKH 1C, THREE DEVICE |
| 23203CAB | ASSY, DIN RAIL HKH 3 TIER |

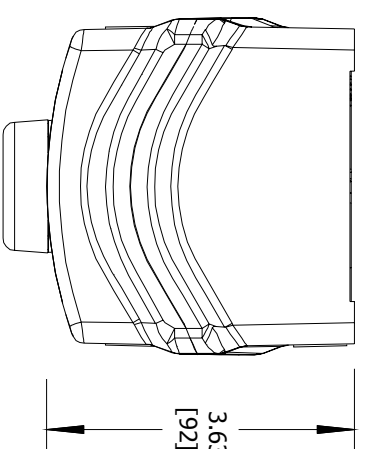
CONTACT BLOCK RATINGS:
690 VAC, 20A, 50-60
60 VDC, 5A, 110VDC, 1.5A

1/2 HP @ 120 VAC, 1 HP @ 208/240/277VAC
NEMA A600/P600 - PILOT DUTY
350VAC, 20A - TUNGSTEN
AC690V, 16A AC-12
AC230V, 16A AC-15
50-60HZ
DC60V, 5A, DC-13
TERMINALS RATED FOR 1-2 CONDUCTORS
#22-10 AWG (0.5-4mm²)

| DEVICE 1 ASSEMBLY (1F) | |
|------------------------|---|
| P/N: | DESCRIPTION: |
| HKHBMWSS | PUSH BUTTON, MOM, START |
| LEGEND PLATE: | LAM, BLANK |
| LOCKOUT DEV.: | N/A |
| CONTACT 1: | CONTACT BLCK, FACT SEALED N.O. DRM, 20A |
| CONTACT 2: | CONTACT BLCK, FACT SEALED N.C. DRM, 20A |

| DEVICE 2 ASSEMBLY (2F) | |
|------------------------|---|
| P/N: | DESCRIPTION: |
| HKHBMWSS | PUSH BUTTON, MOM, STOP |
| LEGEND PLATE: | LAM, BLANK |
| LOCKOUT DEV.: | N/A |
| CONTACT 1: | CONTACT BLCK, FACT SEALED N.O. DRM, 20A |
| CONTACT 2: | CONTACT BLCK, FACT SEALED N.C. DRM, 20A |

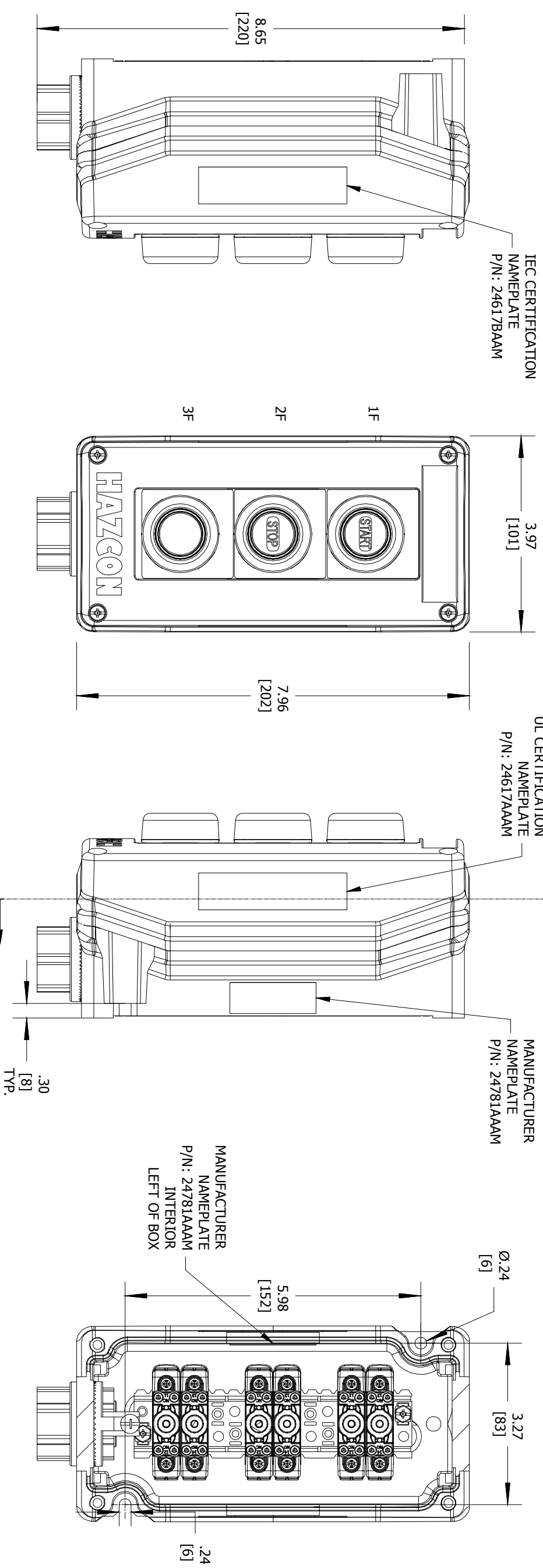
| DEVICE 3 ASSEMBLY (3F) | |
|------------------------|---|
| P/N: | DESCRIPTION: |
| HKHBMWSS | PUSH BUTTON, MOM, BLK BLANK |
| LEGEND PLATE: | LAM, BLANK |
| LOCKOUT DEV.: | N/A |
| CONTACT 1: | CONTACT BLCK, FACT SEALED N.O. DRM, 20A |
| CONTACT 2: | CONTACT BLCK, FACT SEALED N.C. DRM, 20A |



TOP VIEW

| | | | |
|---|--|--------------------------------------|---------------------|
| | CAT. NO. | HKHMOD Series | DATE CODE S/N |
| | WWW.HARSHANDHAZARDOUS.COM | | ST. LOUIS, MO 63113 |
| | | | |
| INDUSTRIAL CONTROL EQUIPMENT FOR USE IN ZONE CLASSIFIED HAZ. LOCS. CLASS I, ZONE 1, AEx de IIC T6..T4 Gb; Ex de IIC T6..T4 Gb CLASS 21, AEx tb IIIC T85°C...T135°C Db IP66; Ex tb IIIC T85°C...T135°C Db IP66 CLASS I, DIV.2, GRPS. A,B,C,D; CLASS II, DIV.1, GRPS. E,F,G (CANADA ONLY) CLASS II, DIV.2, GROUPS E,F,G; CLASS III CLASS III, TYPE 3/4/4X/12/13; -50°C STAs+60°C SEE IOM FORM K1466 FOR ELECTRICAL RATINGS. | | | |
| Harsh & Hazardous CAT. NO. HKHMOD Series WWW.HARSHANDHAZARDOUS.COM | | DATE CODE S/N ST. LOUIS, MO 63113 | |

CERTIFICATION NAME PLATES

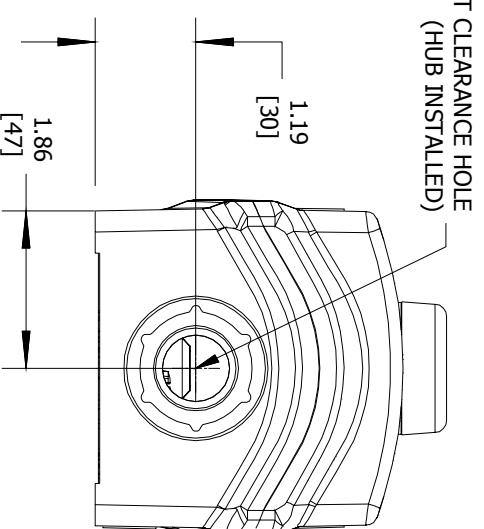


LEFT SIDE VIEW

FRONT VIEW

RIGHT SIDE VIEW

SECTION A-A VIEW



BOTTOM VIEW

| ENTRY HUB/GLAND SELECTION CHART* | |
|----------------------------------|-------------|
| ENTRY NO. | HUB/GLAND: |
| ENTRY 1 | K8: WH-2SSG |

*HUBS & CABLE GLANDS ARE SHIPPED WITH ENCLOSURE

COMMENT:

SGN:

DATE:

ACCEPTANCE:

DRAWN BY:

DATE:

DWG NUMBER:

ENTRY HUB/GLAND SELECTION CHART*

HKH SERIES
CONTROL STATION

CAT. NO. **HKHMOD000005**

COUNTRY/DATE CODE

WWW.HARSHANDHAZARDOUS.COM

REVISION



REVISION

THIS DOCUMENT IS THE PROPERTY OF HUBBELL - KILLARK. IT IS LOANED TO YOU AND MUST NOT BE USED IN ANY WAY DETRIMENTAL TO THE INTEREST OF HUBBELL - KILLARK.

REVISION

2

REVISION

REVISION

REVISION

4

3

2

1

A

A

A

B

B

C

C

D

D