

4

3

2

1

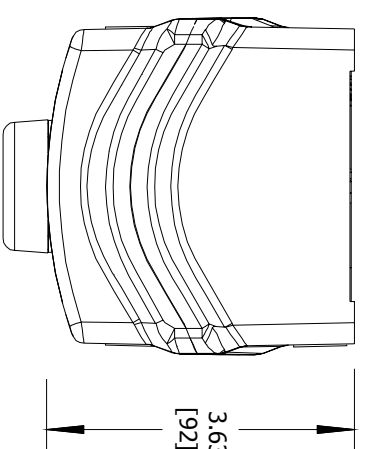
ENCLOSURE INFORMATION	
P/N:	DESCRIPTION:
23198CBAM	BOX PLASTIC 1C, 3/4 NPT BOTTOM
2319SCAAB	COVER PLASTIC HKH 1C, THREE DEVICE
HKHMBRKT	HKH PANEL MOUNT BRACKET, C. B. & P. L. (3 PL.)

CONTACT BLOCK RATINGS:
690 VAC, 20A, 50-60
60 VDC, 5A, 110VDC, 1.5A
1/2 HP @ 120 VAC, 1 HP @ 208/240/277VAC
NEMA A600/P600 - PILOT DUTY
350VAC, 20A - TUNGSTEN
AC690V, 16A AC-12
AC230V, 16A AC-15
50-60HZ
DC60V, 5A, DC-13
TERMINALS RATED FOR 1-2 CONDUCTORS
#22-10 AWG, (0.5-4mm²)

DEVICE 1 ASSEMBLY (1F)	
P/N:	DESCRIPTION:
HKHBMWSS	PUSH BUTTON, MOM., START
LEGEND PLATE:	LAM, BLANK
LOCKOUT DEV.:	N/A
CONTACT 1:	CONTACT BLOCK, FACT SEALED N.O. PM, 20A
CONTACT 2:	CONTACT BLOCK, FACT SEALED N.C. PM, 20A

DEVICE 2 ASSEMBLY (2F)	
P/N:	DESCRIPTION:
HKHBMWSS	PUSH BUTTON, MOM., STOP
LEGEND PLATE:	LAM, BLANK
LOCKOUT DEV.:	N/A
CONTACT 1:	CONTACT BLOCK, FACT SEALED N.O. PM, 20A
CONTACT 2:	CONTACT BLOCK, FACT SEALED N.C. PM, 20A

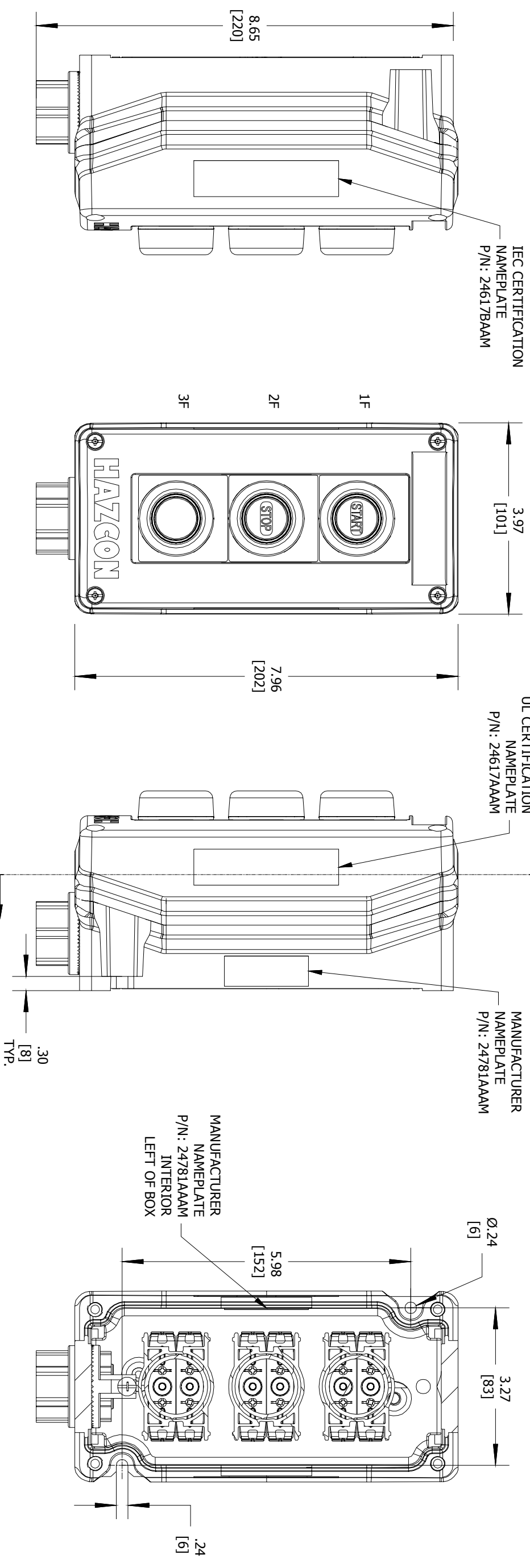
DEVICE 3 ASSEMBLY (3F)	
P/N:	DESCRIPTION:
HKHBMWSS	PUSH BUTTON, MOM., BLK BLANK
LEGEND PLATE:	LAM, BLANK
LOCKOUT DEV.:	N/A
CONTACT 1:	CONTACT BLOCK, FACT SEALED N.O. PM, 20A
CONTACT 2:	CONTACT BLOCK, FACT SEALED N.C. PM, 20A



TOP VIEW

	CAT. NO. HKHMOD Series	DATE CODE S/N
Harsh & Hazardous www.harshandhazardous.com	CAT. NO. HKHMOD Series	ST. LOUIS, MO 63113
INDUSTRIAL CONTROL EQUIPMENT FOR USE IN ZONE CLASSIFIED HAZ. LOCS. CLASS I, ZONE 1, AEX de IIC T6..T4 GP; Ex de IIC T6..T4 GP CLASS I, DIV.2, GRPS. A,B,C,D; CLASS II, DIV. 1, GRPS. E,F,G (CANADA ONLY) CLASS II, DIV.2, GROUPS E,F,G; CLASS III CLASS III, TYPE 3/4/4X/12/13; -50°C STAs+60°C	SEE IOM FORM K1466 & K1470 FOR T-CODES AND FOR ELECTRICAL RATINGS. ST. LOUIS, MO 63113	SEE IOM FORM K1466 FOR ELECTRICAL RATINGS.
0539 ① I2G Ex de IIC T6..T4 GP 0539 ② I2D Ex de IIC T6..T4 GP DEMKO 15 ATEX 1405X Ex de IIC T6..T4 GP Ex de IIC T6..T4 GP IECEx UL 15.0054X -50°C STAs+60°C (-40°C STAs+55°C WITH AMMETER)	UL EQUIPMENT RATED FOR USE IN CLASSIFIED HAZARDOUS LOCATIONS	SEE IOM FORM K1466 FOR ELECTRICAL RATINGS.
Harsh & Hazardous www.harshandhazardous.com	CAT. NO. HKHMOD Series	DATE CODE S/N
INDUSTRIAL CONTROL EQUIPMENT FOR USE IN ZONE CLASSIFIED HAZ. LOCS. CLASS I, ZONE 1, AEX de IIC T6..T4 GP; Ex de IIC T6..T4 GP CLASS I, DIV.2, GRPS. A,B,C,D; CLASS II, DIV. 1, GRPS. E,F,G (CANADA ONLY) CLASS II, DIV.2, GROUPS E,F,G; CLASS III CLASS III, TYPE 3/4/4X/12/13; -50°C STAs+60°C	SEE IOM FORM K1466 FOR ELECTRICAL RATINGS.	SEE IOM FORM K1466 FOR ELECTRICAL RATINGS.

CERTIFICATION NAME PLATES

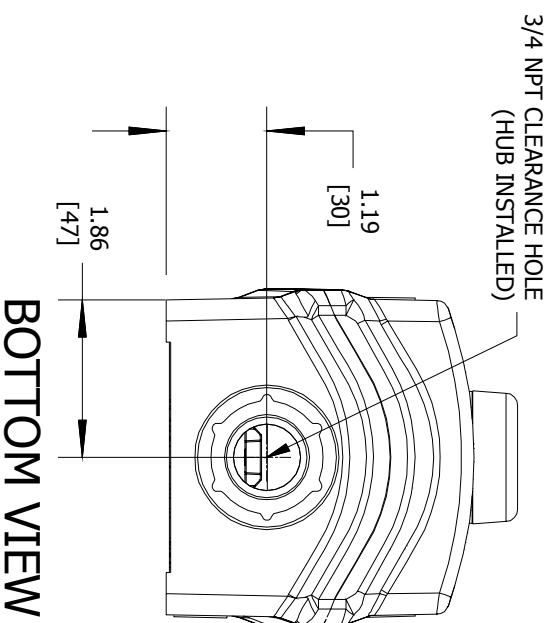


LEFT SIDE VIEW

FRONT VIEW

RIGHT SIDE VIEW

SECTION A-A VIEW



BOTTOM VIEW

ENTRY HUB/GLAND SELECTION CHART*	
ENTRY NO.	HUB/GLAND:
ENTRY 1	K8: WH-2SSG

*HUBS & CABLE GLANDS ARE SHIPPED WITH ENCLOSURE

COMMENT:

SGN:

DATE:

ACCEPTANCE:

DRAWN BY:

DATE:

DWG NUMBER:

ENTRY HUB/GLAND SELECTION CHART*

COMMENT:

SGN:

DATE:

ACCEPTANCE:

DRAWN BY:

DATE:

DWG NUMBER:

ENTRY HUB/GLAND SELECTION CHART*

COMMENT:

SGN:

DATE:

ACCEPTANCE:

DRAWN BY:

DATE:

DWG NUMBER:

ENTRY HUB/GLAND SELECTION CHART*

COMMENT:

SGN:

DATE:

ACCEPTANCE:

DRAWN BY:

DATE:

DWG NUMBER:

ENTRY HUB/GLAND SELECTION CHART*

COMMENT:

SGN:

DATE:

ACCEPTANCE:

DRAWN BY:

DATE:

DWG NUMBER:

ENTRY HUB/GLAND SELECTION CHART*

COMMENT:

SGN:

DATE:

ACCEPTANCE:

DRAWN BY:

DATE:

DWG NUMBER:

ENTRY HUB/GLAND SELECTION CHART*

COMMENT:

SGN:

DATE:

ACCEPTANCE:

DRAWN BY:

DATE:

DWG NUMBER:

ENTRY HUB/GLAND SELECTION CHART*

4

3

2

1

HKH SERIES
CONTROL STATION

CAT. NO. HKHMOD000006

COUNTRY/DATE CODE

WWW.HARSHANDHAZARDOUS.COM

REVISION



THIS DOCUMENT IS THE PROPERTY OF HUBBELL - KILLARK. IT IS LOANED TO YOU AND MUST NOT BE USED IN ANY WAY DETRIMENTAL TO THE INTEREST HUBBELL - KILLARK.

HKH MODIFIED ENCLOSURE
(HKHMOD000006)

SHEET 1 OF 1