

4

3

2

1

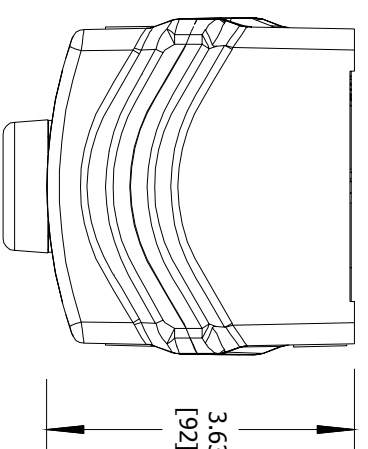
ENCLOSURE INFORMATION	
P/N:	23198KBAM
DESCRIPTION:	BOX PLASTIC 1C, M20 BOTTOM
COVER:	2319SCAAB
COVER:	COVER PLASTIC HKH 1C, THREE DEVICE
MOUNT METHOD:	HKHMBRKT
	HKH PANEL MOUNT BRACKET, C. B. & P. L. (3 PL.)

CONTACT BLOCK RATINGS:  
690 VAC, 20A, 50-60  
60 VDC, 5A, 110VDC, 1.5A  
1/2 HP @ 120 VAC, 1 HP @ 208/240/277VAC  
NEMA A600/Pe600 - PILOT DUTY  
350VAC, 20A - TUNGSTEN  
AC690V, 16A AC-12  
AC230V, 16A AC-15  
50-60HZ  
DC60V, 5A, DC-13  
TERMINALS RATED FOR 1-2 CONDUCTORS  
#22-10 AWG (0.5-4mm<sup>2</sup>)

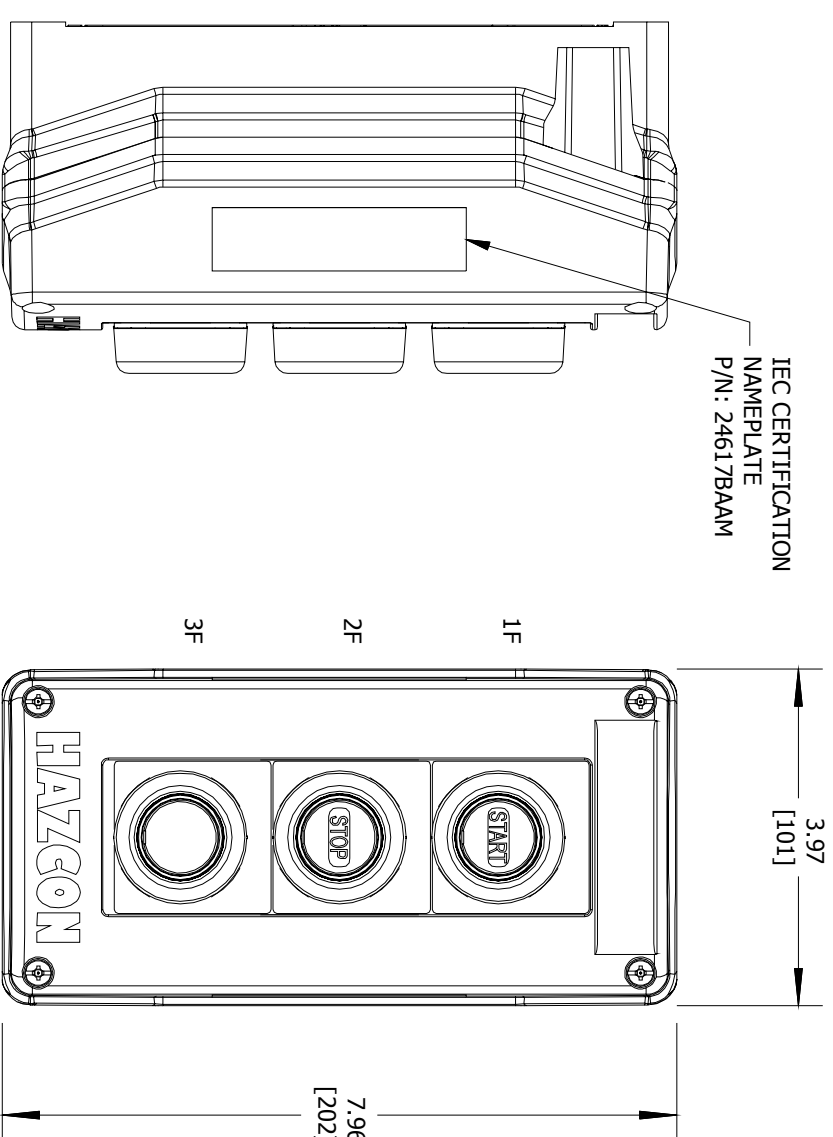
DEVICE 1 ASSEMBLY (1F)	
P/N:	HKHBMWSS
DESCRIPTION:	PUSH BUTTON, MOM., START
LEGEND PLATE:	23225AAAB
LEGEND PLATE:	LAM, BLANK
LOCKOUT DEV.:	NONE
CONTACT 1:	HKHINO20P
CONTACT 1:	CONTACT BLOCK, FACT SEALED N.O. PM, 20A
CONTACT 2:	HKHINC20P
CONTACT 2:	CONTACT BLOCK, FACT SEALED N.C. PM, 20A

DEVICE 2 ASSEMBLY (2F)	
P/N:	HKHBMWSS
DESCRIPTION:	PUSH BUTTON, MOM., STOP
LEGEND PLATE:	23225AAAB
LEGEND PLATE:	LAM, BLANK
LOCKOUT DEV.:	NONE
CONTACT 1:	HKHINO20P
CONTACT 1:	CONTACT BLOCK, FACT SEALED N.O. PM, 20A
CONTACT 2:	HKHINC20P
CONTACT 2:	CONTACT BLOCK, FACT SEALED N.C. PM, 20A

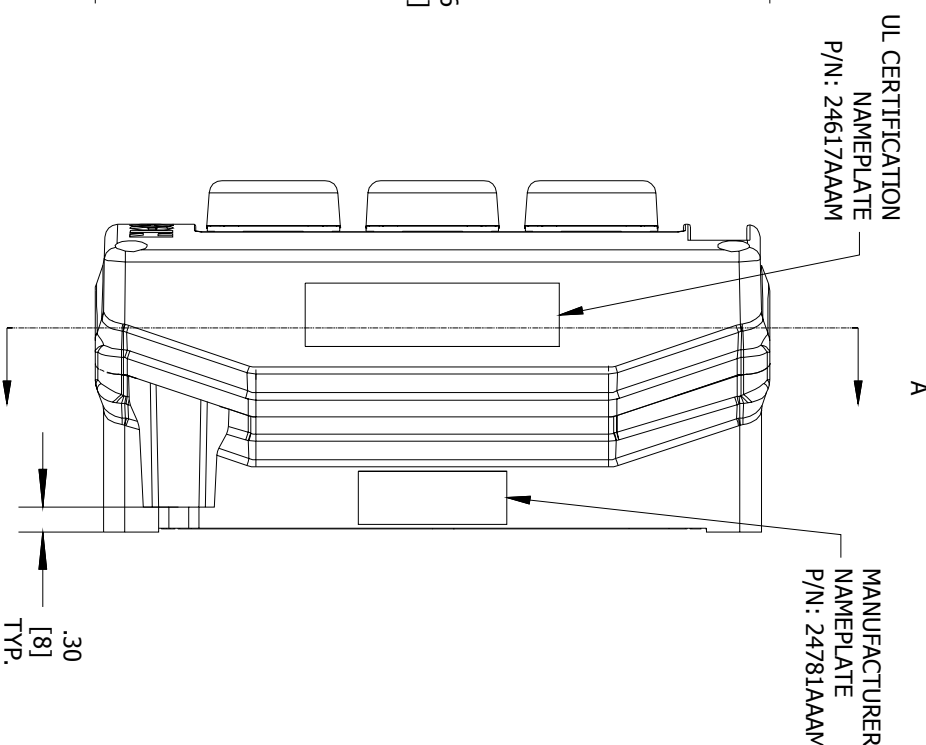
DEVICE 3 ASSEMBLY (3F)	
P/N:	HKHBMWSS
DESCRIPTION:	PUSH BUTTON, MOM., BLK BLANK
LEGEND PLATE:	23225AAAB
LEGEND PLATE:	LAM, BLANK
LOCKOUT DEV.:	NONE
CONTACT 1:	HKHINO20P
CONTACT 1:	CONTACT BLOCK, FACT SEALED N.O. PM, 20A
CONTACT 2:	HKHINC20P
CONTACT 2:	CONTACT BLOCK, FACT SEALED N.C. PM, 20A



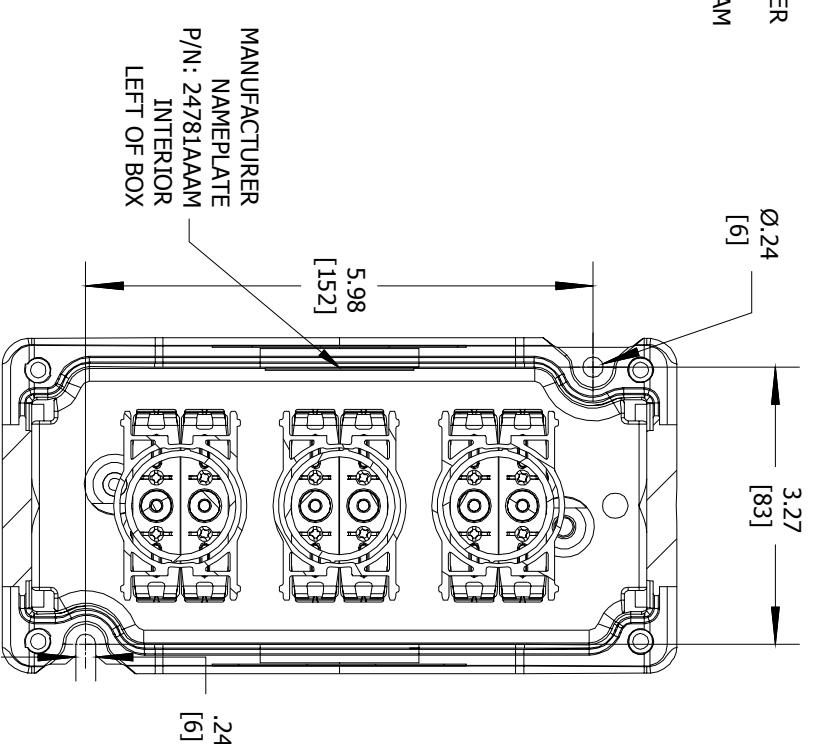
TOP VIEW



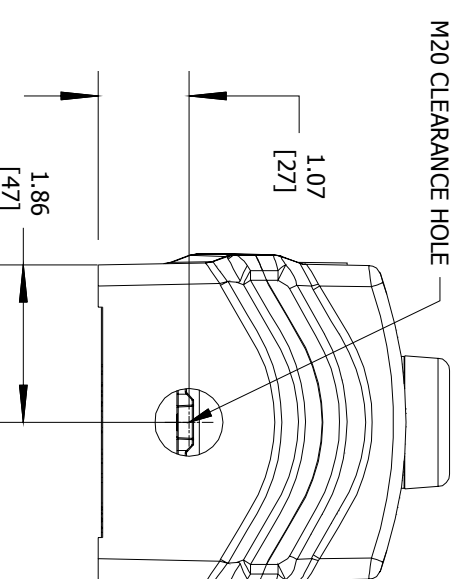
FRONT VIEW



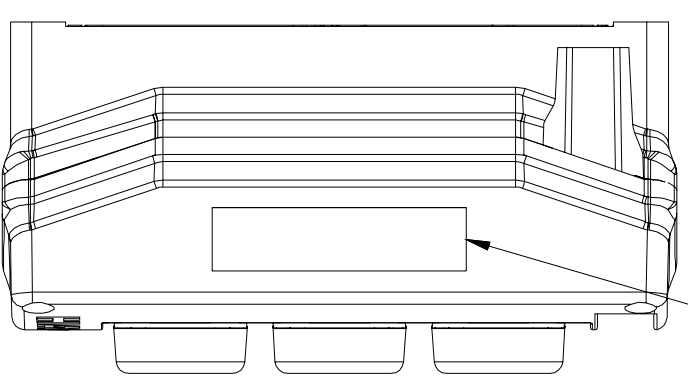
RIGHT SIDE VIEW



SECTION A-A VIEW



BOTTOM VIEW



LEFT SIDE VIEW

CONTROL STATION



HKH SERIES  
CONTROL STATION

CAT. NO. HKHMOD000008

COUNTRY/DATE CODE

WWW.HARSHANDHAZARDOUS.COM

4

3

2

1

<b>HUBBELL</b> Harsh & Hazardous www.harshandhazardous.com	<b>CAT. NO. HKHMOD Series</b> DATE CODE S/N ST. LOUIS, MO 63113
INDUSTRIAL CONTROL EQUIPMENT FOR USE IN ZONE CLASSIFIED HAZ. LOCS. CLASS I, ZONE 1, AEX de IIC T6...T4 GB; Ex de IIC T6...T4 GB ZONE 21, AEX tb IIIC T85°C...T135°C Db IP66; Ex tb IIIC T85°C...T135°C Db IP66 CLASS I, DIV.2, GRPS. A,B,C,D; CLASS II, DIV.1, GRPS. E,F,G (CANADA ONLY) CLASS II, DIV.2, GROUPS E,F,G; CLASS III CLASS III, TYPE 3/4/4X/12/13; -50°C STaS++60°C	SEE IOM FORM K1466 & K1470 ST. LOUIS, MO 63113 FOR T-CODES AND FOR ELECTRICAL RATINGS. See IOM FORM K1466 FOR ELECTRICAL RATINGS. SEE IOM FORM K1466 FOR ELECTRICAL RATINGS. CLASS III, TYPE 3/4/4X/12/13; -50°C STaS++60°C
0539 IIC Ex de IIC T6...T4 GB 0539 II D Ex tb IIC T85°C...T135°C Db IP66 DEMKO 15 ATEX 1405X Ex de IIC T6...T4 GB; Ex tb IIC T85°C...T135°C Db IP66 IECEx UL 15.0054X -50°C STaS+60°C -40°C STaS+55°C WITH AMMETER)	TR RU C-US.M1062.B.04167 IEX 16.0079 INMETRO
<b>HUBBELL</b> Harsh & Hazardous www.harshandhazardous.com	<b>CAT. NO. HKHMOD Series</b> DATE CODE S/N ST. LOUIS, MO 63113

INDUSTRIAL CONTROL EQUIPMENT FOR USE IN ZONE CLASSIFIED HAZ. LOCS.  
CLASS I, ZONE 1, AEX de IIC T6...T4 GB; Ex de IIC T6...T4 GB  
ZONE 21, AEX tb IIIC T85°C...T135°C Db IP66; Ex tb IIIC T85°C...T135°C Db IP66  
CLASS I, DIV.2, GRPS. A,B,C,D; CLASS II, DIV.1, GRPS. E,F,G (CANADA ONLY)  
CLASS II, DIV.2, GROUPS E,F,G; CLASS III  
CLASS III, TYPE 3/4/4X/12/13; -50°C STaS++60°C

## CERTIFICATION NAME PLATES

COMMENT:

SGN:

DATE:

ACCEPTANCE:

CODE 1: APPROVED (NO COMMENTS)

CODE 2: APPROVED FOR MANUFACTURING

WITH COMMENTS TO BE INCORPORATED

CODE 3: NOT APPROVED RE-SUBMIT

CODE 4: FOR INFORMATION ONLY

DRAWN BY:

DATE:

DWG NUMBER:

PR

03/22/2017

HKHMOD000008

TITLE:

SALES/QUOTE NO.:

N/A

ITEM: N/A

HKH MODIFIED ENCLOSURE

(HKHMOD000008)

SHEET 1 OF 2

ENTRY HUB/GLAND SELECTION CHART\*

ENTRY NO.	HUB/GLAND:
ENTRY 1	NONE

\*HUBS & CABLE GLANDS ARE SHIPPED WITH ENCLOSURE

REVISION



KILLARK

THIS DOCUMENT IS THE PROPERTY OF HUBBELL - KILLARK. IT IS LOANED TO YOU AND MUST NOT BE USED IN ANY WAY DETRIMENTAL TO THE INTEREST OF HUBBELL - KILLARK.

A

3

2

1