

4

3

2

1

ENCLOSURE INFORMATION	
P/N:	DESCRIPTION:
23832KBAM	BOX SST IF 1C, M20 BOTTOM
23805ACAB	COVER SST IF 1C, THREE DEVICE
23203CAB	ASSY, DIN RAIL HKH 3 TIER

CONTACT BLOCK RATINGS:
 690 VAC, 20A, 50-60
 60 VDC, 5A, 110VDC, 1.5A

1/2 HP @ 120 VAC, 1 HP @ 208/240/277VAC
 NEMA A600/P600 - PILOT DUTY
 350VAC, 20A - TUNGSTEN
 AC690V, 16A AC-12
 AC230V, 16A AC-15
 50-60Hz
 DC60V, 5A DC-13
 TERMINALS RATED FOR 1-2 CONDUCTORS
 #22-10 AWG, (0.5-4mm2)

DEVICE 1 ASSEMBLY (1F)	
P/N:	DESCRIPTION:
HKHPLR	PILOT LIGHT RED LENS ASSEMBLY
23225AAB	LAM, BLANK

PILOT LIGHT RATINGS:
 LIGHT EMITTING DIODE
 12-254 VAC/VDC LED
 0.6WTERMINALS RATED FOR 1-2 CONDUCTORS
 #22-10 AWG, (0.5-4mm2)

DEVICE 2 ASSEMBLY (2F)	
P/N:	DESCRIPTION:
HKHBMSS	PUSH BUTTON, MOM.,STOP

UL CERTIFICATION
 NAMEPLATE
 P/N: 24617BAAM

DEVICE 3 ASSEMBLY (3F)	
P/N:	DESCRIPTION:
HKHBMSS	PUSH BUTTON, MOM.,START

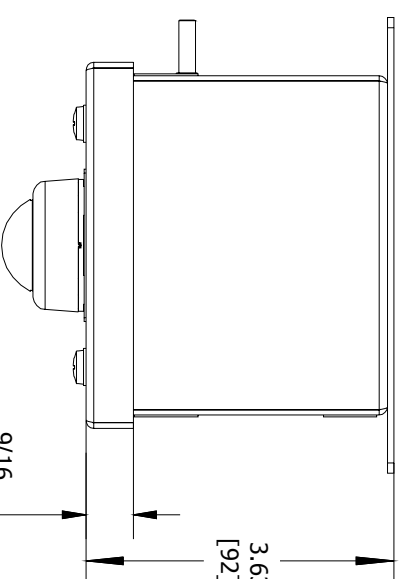
UL CERTIFICATION
 NAMEPLATE
 P/N: 24781AAAM

LEGEND PLATE:	NONE	N/A
LOCKOUT DEV.:	NONE	N/A
CONTACT 1:	HKHNO20D	CONTACT BLCK, FACT SEALED N.O. DRM, 20A
CONTACT 2:	HKHINC20D	CONTACT BLCK, FACT SEALED N.C. DRM, 20A

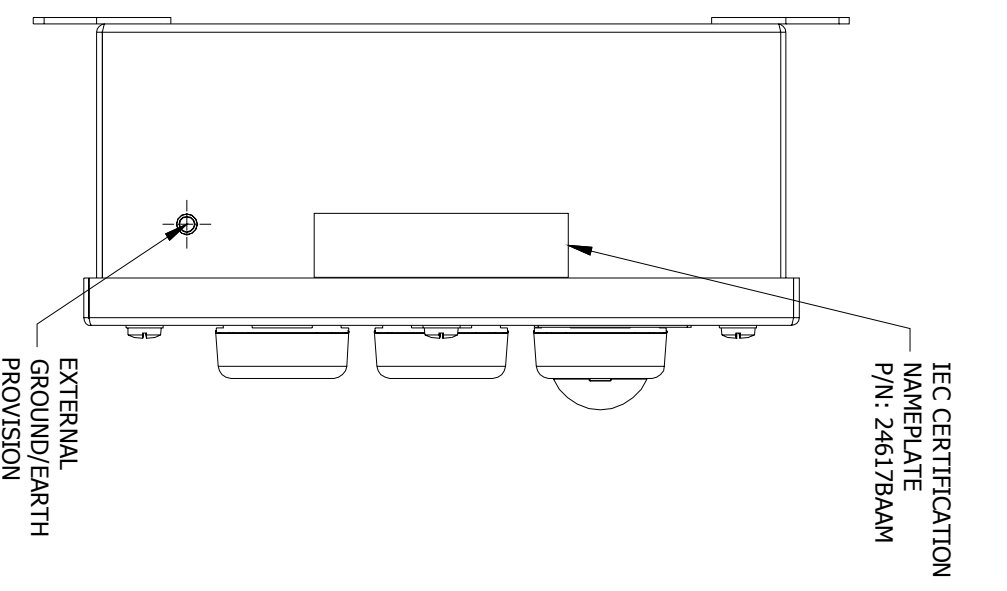
LEGEND PLATE:	NONE	N/A
LOCKOUT DEV.:	NONE	N/A
CONTACT 1:	HKHNO20D	CONTACT BLCK, FACT SEALED N.O. DRM, 20A
CONTACT 2:	HKHINC20D	CONTACT BLCK, FACT SEALED N.C. DRM, 20A

LEGEND PLATE:	NONE	N/A
LOCKOUT DEV.:	NONE	N/A
CONTACT 1:	HKHNO20D	CONTACT BLCK, FACT SEALED N.O. DRM, 20A
CONTACT 2:	HKHINC20D	CONTACT BLCK, FACT SEALED N.C. DRM, 20A

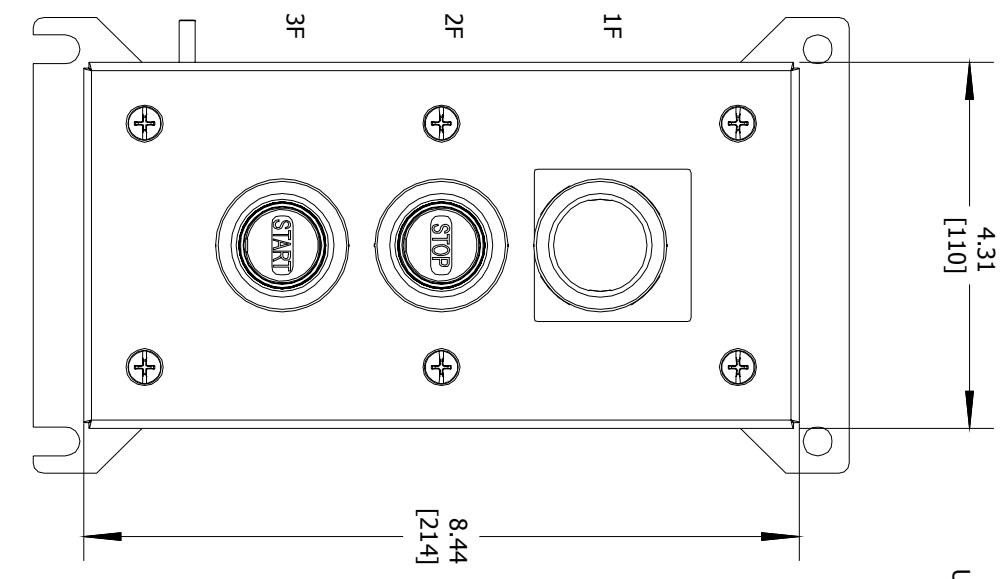
LEGEND PLATE:	NONE	N/A
LOCKOUT DEV.:	NONE	N/A
CONTACT 1:	HKHNO20D	CONTACT BLCK, FACT SEALED N.O. DRM, 20A
CONTACT 2:	HKHINC20D	CONTACT BLCK, FACT SEALED N.C. DRM, 20A



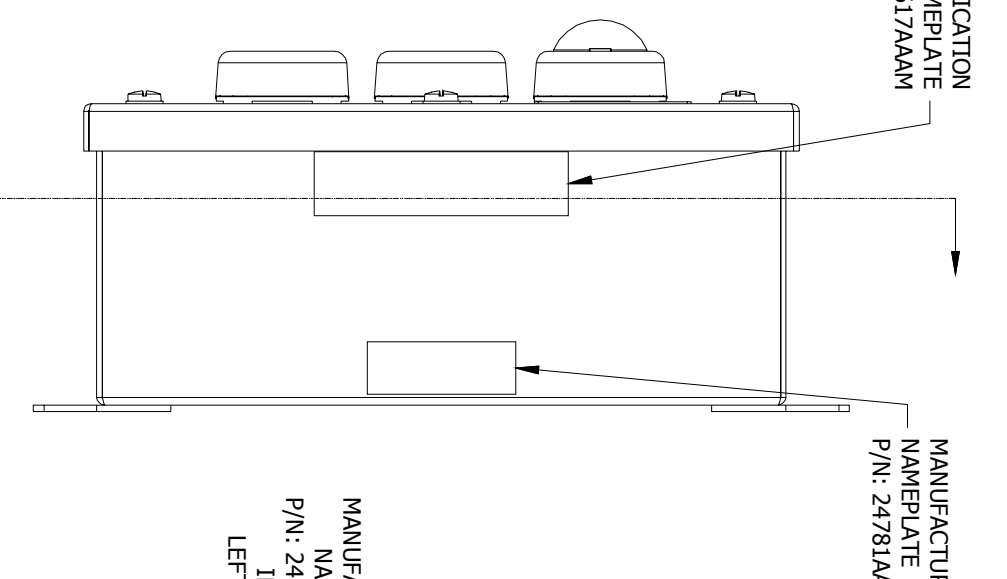
TOP VIEW



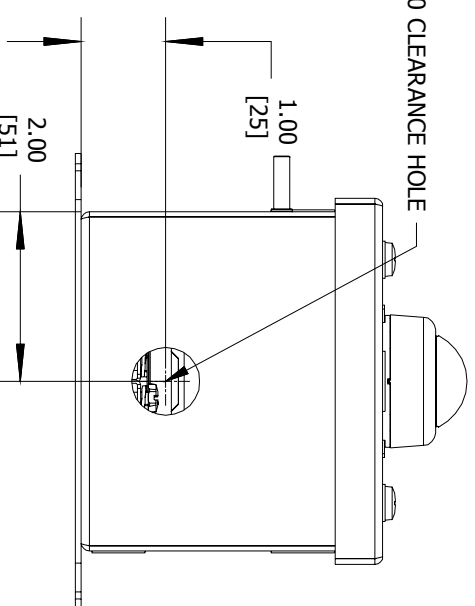
LEFT SIDE VIEW



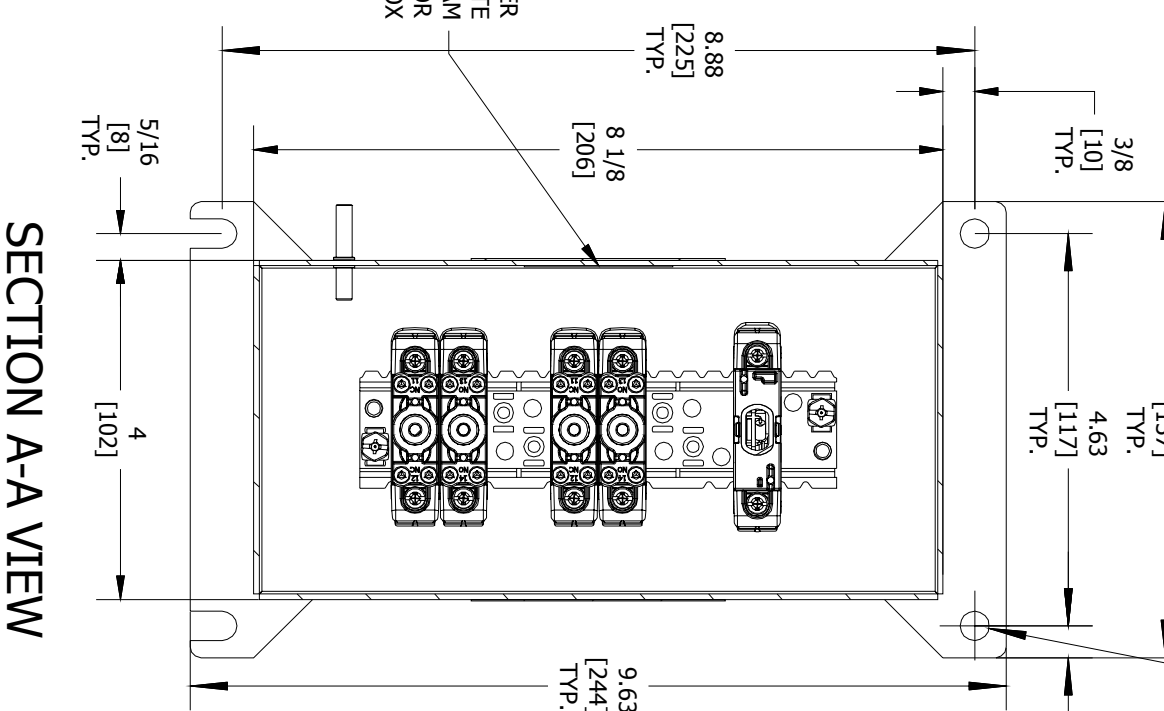
FRONT VIEW



RIGHT SIDE VIEW



BOTTOM VIEW



SECTION A-A VIEW

HUBBELL
 Harsh & Hazardous
 WWW.HARSHANDHAZARDOUS.COM

CAT. NO. HKHMOD Series
 DATE CODE: S/N

INDUSTRIAL CONTROL EQUIPMENT FOR USE IN ZONE CLASSIFIED HAZ, LOCS,
 CLASS I, ZONE 1, AEx de IIC T6...T4 Gb; Ex de IIC T6...T4 Gb,
 ZONE 21, AEx to IIC T85°C...T135°C Db IP66; Ex to IIC T85°C...T135°C Db IP66
 CLASS I, DIV.2, GRPS. A,B,C,D; CLASS II, DIV.1, GRPS. E,F,G (CANADA ONLY)
 CLASS II, DIV.2, GROUPS E,F,G; CLASS III
 CLASS III, TYPE 3/4/4X/12/13; -50°C ≤T_a ≤+60°C

SEE IOM FORM K1466 FOR ELECTRICAL RATINGS.

HUBBELL
 Harsh & Hazardous
 WWW.HARSHANDHAZARDOUS.COM

CAT. NO. HKHMOD Series
 DATE CODE: S/N

INDUSTRIAL CONTROL EQUIPMENT FOR USE IN ZONE CLASSIFIED HAZ, LOCS,
 CLASS I, ZONE 1, AEx de IIC T6...T4 Gb; Ex de IIC T6...T4 Gb,
 ZONE 21, AEx to IIC T85°C...T135°C Db IP66; Ex to IIC T85°C...T135°C Db IP66
 CLASS I, DIV.2, GRPS. A,B,C,D; CLASS II, DIV.1, GRPS. E,F,G (CANADA ONLY)
 CLASS II, DIV.2, GROUPS E,F,G; CLASS III
 CLASS III, TYPE 3/4/4X/12/13; -50°C ≤T_a ≤+60°C

SEE IOM FORM K1466 FOR ELECTRICAL RATINGS.

CERTIFICATION NAME PLATES

COMMENT:	SGN:	DATE:	ACCEPTANCE:
			CODE 1: APPROVED (NO COMMENTS) CODE 2: APPROVED FOR MANUFACTURING WITH COMMENTS TO BE INCORPORATED CODE 3: NOT APPROVED RE-SUBMIT CODE 4: FOR INFORMATION ONLY

REVISION			

DRAWN BY:	DATE:	DWG NUMBER:
PR	03/22/2017	HKHMOD000023
TITLE:	SALES/QUOTE NO.:	ITEM:
HKH MODIFIED ENCLOSURE (HKHMOD000023)	N/A	N/A

ENTRY NO.	HUB/GLAND:
ENTRY 1	NONE
*HUBS & CABLE GLANDS ARE SHIPPED WITH ENCLOSURE	

ENTRY NO.	HUB/GLAND:
ENTRY 1	NONE
*HUBS & CABLE GLANDS ARE SHIPPED WITH ENCLOSURE	

ENTRY NO.	HUB/GLAND:
ENTRY 1	NONE
*HUBS & CABLE GLANDS ARE SHIPPED WITH ENCLOSURE	

A

A

3

2

A

4

3

2

1

HUBBELL
 HKH SERIES
 CONTROL STATION

CAT. NO. HKHMOD000023
 WWW.HARSHANDHAZARDOUS.COM

REVISION



THIS DOCUMENT IS THE PROPERTY OF HUBBELL - KILLARK. IT IS LOANED TO YOU AND MUST NOT BE USED IN ANY WAY DETRIMENTAL TO THE INTEREST HUBBELL - KILLARK.