

4

3

2

1

ENCLOSURE INFORMATION

| | | | |
|---------------|-----------|--|---------------------------|
| P/N: | 23842KBAM | DESCRIPTION: | BOX SST EF 1C, M20 BOTTOM |
| COVER: | 23814ACAB | COVER SST EF 1C, THREE DEVICE | |
| MOUNT METHOD: | HKHMBRKT | HKH PANEL MOUNT BRACKET, C. B. & P. L. (3 PL.) | |

CONTACT BLOCK RATINGS:
690 VAC, 20A, 50-60
60 VDC, 5A, 110VDC, 1.5A
1/2 HP @ 120 VAC, 1 HP @ 208/240/277VAC
NEMA A600/P600 - PILOT DUTY
350VAC, 20A - TUNGSTEN
AC690V 16A AC-12
AC230V 16A AC-15
50-60HZ
DC60V 5A DC-13
TERMINALS RATED FOR 1-2 CONDUCTORS
#22-10 AWG (0.5-4mm²)

DEVICE 1 ASSEMBLY (1F)

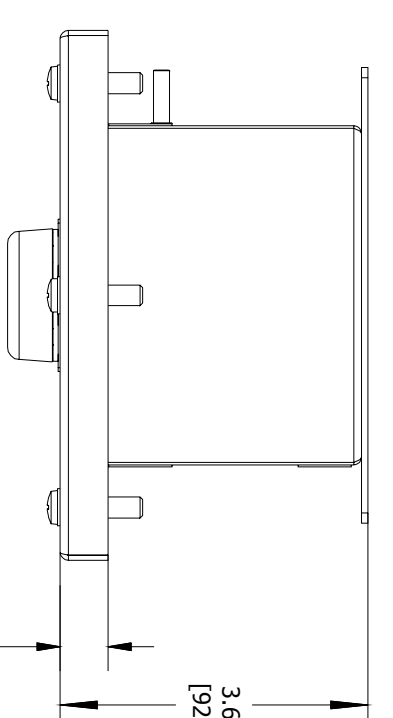
| | | | |
|---------------|-----------|---|-------------------------|
| P/N: | HKHBMWSS | DESCRIPTION: | PUSH BUTTON, MOM, START |
| LEGEND PLATE: | 23225AAAB | LAM, BLANK | |
| LOCKOUT DEV.: | NONE | N/A | |
| CONTACT 1: | HKHINO20P | CONTACT BLOCK, FACT SEALED N.O. PM, 20A | |
| CONTACT 2: | HKHINC20P | CONTACT BLOCK, FACT SEALED N.C. PM, 20A | |

DEVICE 2 ASSEMBLY (2F)

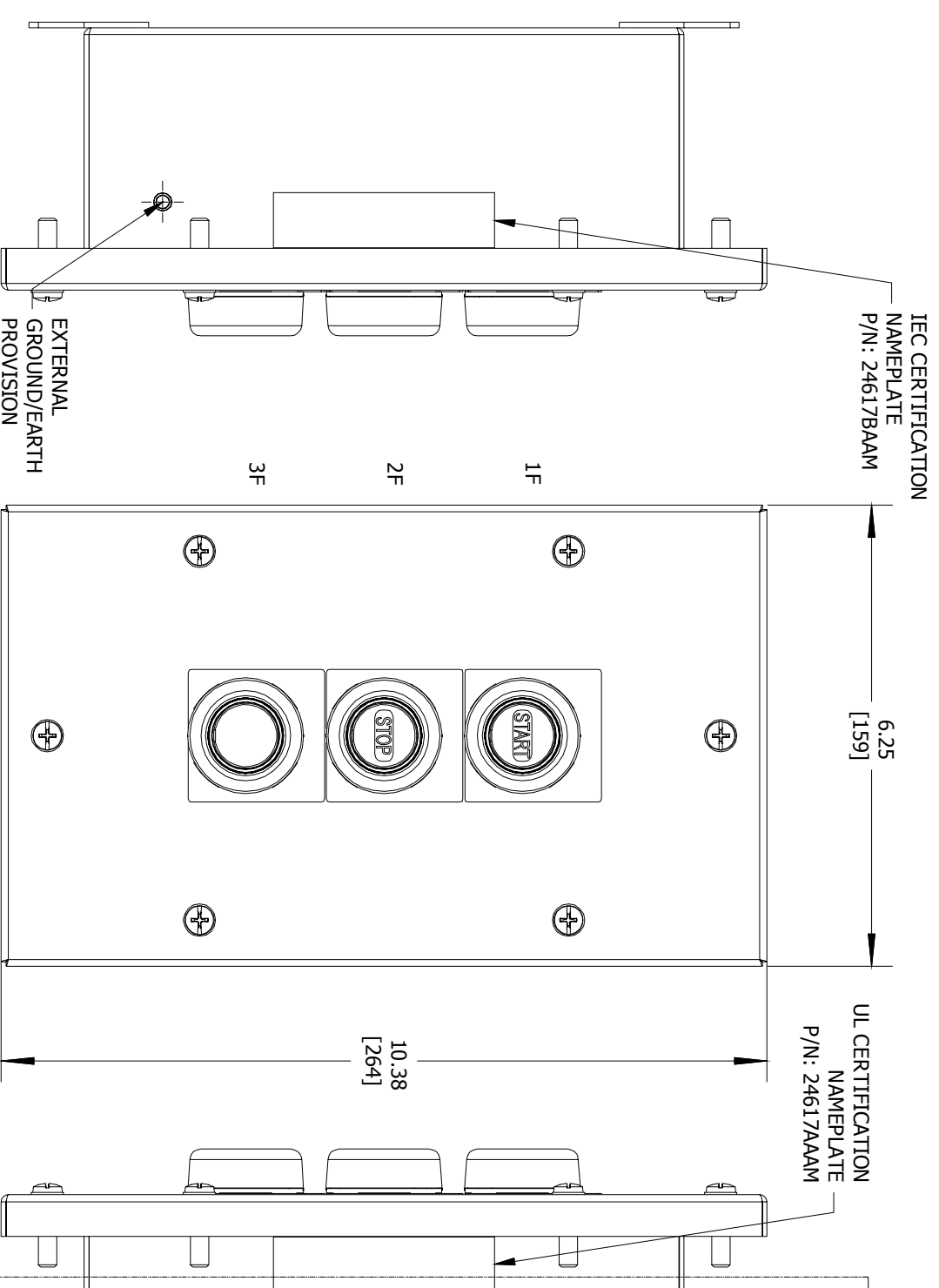
| | | | |
|---------------|-----------|---|------------------------|
| P/N: | HKHBMWSS | DESCRIPTION: | PUSH BUTTON, MOM, STOP |
| LEGEND PLATE: | 23225AAAB | LAM, BLANK | |
| LOCKOUT DEV.: | NONE | N/A | |
| CONTACT 1: | HKHINO20P | CONTACT BLOCK, FACT SEALED N.O. PM, 20A | |
| CONTACT 2: | HKHINC20P | CONTACT BLOCK, FACT SEALED N.C. PM, 20A | |

DEVICE 3 ASSEMBLY (3F)

| | | | |
|---------------|-----------|---|-----------------------------|
| P/N: | HKHBMWSS | DESCRIPTION: | PUSH BUTTON, MOM, BLK BLANK |
| LEGEND PLATE: | 23225AAAB | LAM, BLANK | |
| LOCKOUT DEV.: | NONE | N/A | |
| CONTACT 1: | HKHINO20P | CONTACT BLOCK, FACT SEALED N.O. PM, 20A | |
| CONTACT 2: | HKHINC20P | CONTACT BLOCK, FACT SEALED N.C. PM, 20A | |



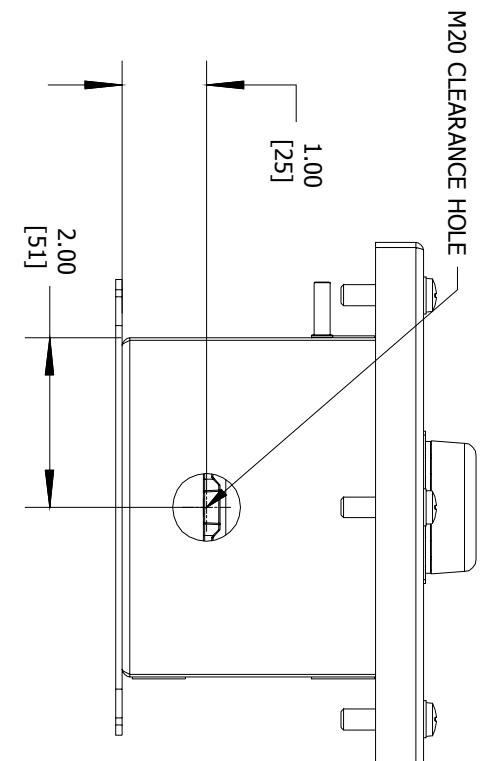
TOP VIEW



FRONT VIEW

LEFT SIDE VIEW

RIGHT SIDE VIEW



BOTTOM VIEW

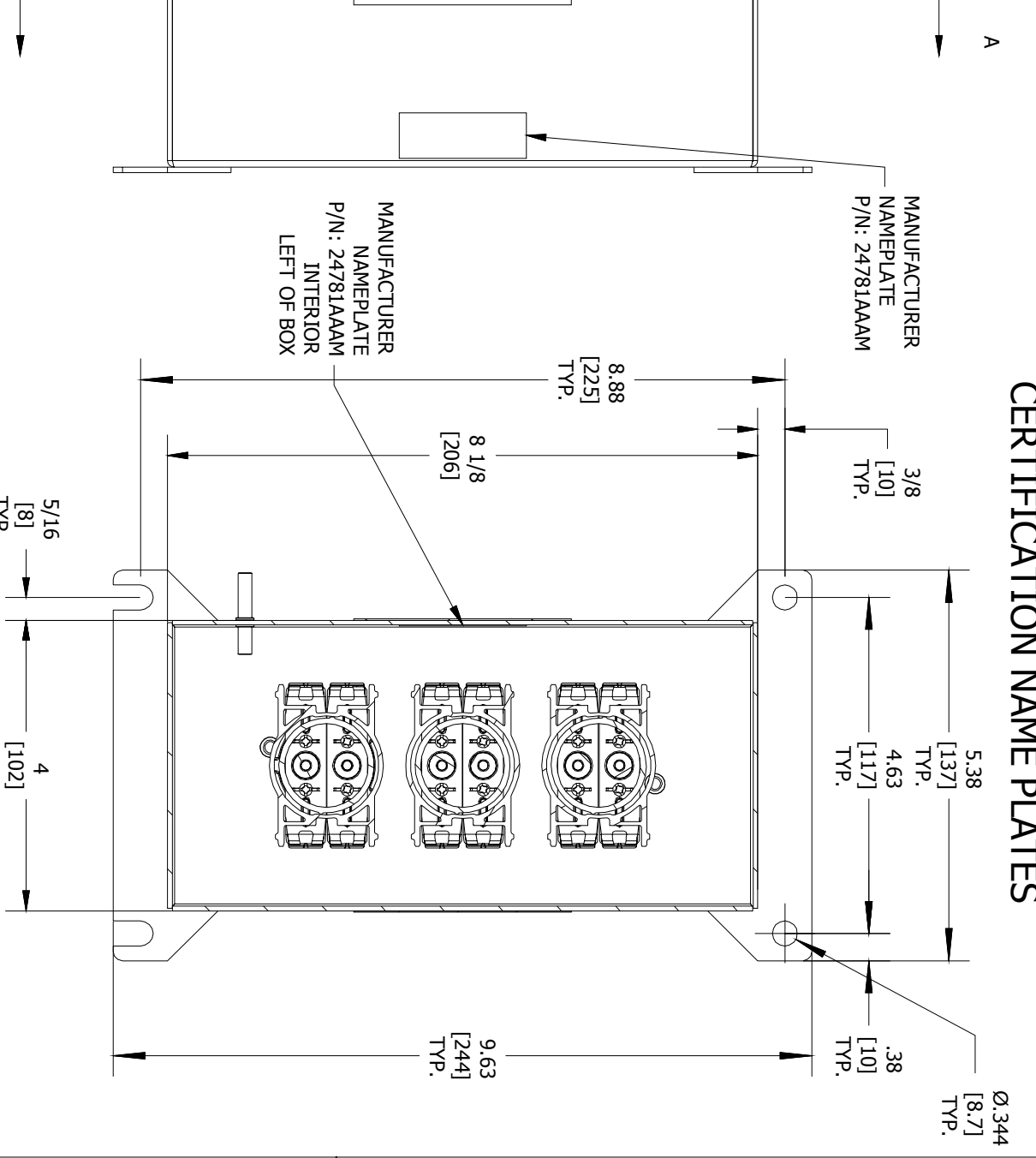
HUBBELL Harsh & Hazardous
CAT. NO. **HKHMOD Series** DATE CODE S/N
WWW.HARSHANDHAZARDOUS.COM

INDUSTRIAL CONTROL EQUIPMENT FOR USE IN ZONE CLASSIFIED HAZ. LOCS.
CLASS I, ZONE 1, AEX de IIC T6...T4 Gb; Ex de IIC T6...T4 Gb
CLASS I, AEX tb IIIC T85°C...T135°C Db IP66; Ex tb IIIC T85°C...T135°C Db IP66
CLASS I, DIV.2, GRPs. A,B,C,D; CLASS II, DIV.1, GRPs. E,F,G (CANADA ONLY)
CLASS II, DIV.2, GROUPS E,F,G; CLASS III
CLASS III: TYPE 3/4/4X/12/13; -50°C ≤Tas≤ +60°C

SEE IOM FORM K1466 FOR ELECTRICAL RATINGS.

TR RU C-US; M1062; B.04167 IEX 16:0079 INMETERO
(-40°C ≤Tas≤ +55°C WITH AMMETER)

ST. LOUIS, MO 63113



SECTION A-A VIEW

ENTRY HUB/GLAND SELECTION CHART*

| | |
|-----------|------------|
| ENTRY NO. | HUB/GLAND: |
| ENTRY 1 | NONE |

*HUBS & CABLE GLANDS ARE SHIPPED WITH ENCLOSURE

4

3

2

1

HUBBELL HKH SERIES CONTROL STATION
CAT. NO. **HKHMOD000028**
WWW.HARSHANDHAZARDOUS.COM

COMMENT:

ACCEPTANCE: (NO COMMENTS)

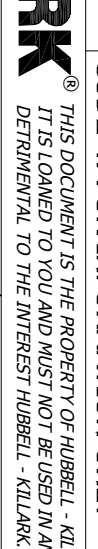
CODE 1: APPROVED

CODE 2: APPROVED FOR MANUFACTURING WITH COMMENTS TO BE INCORPORATED

CODE 3: NOT APPROVED RE-SUBMIT

CODE 4: FOR INFORMATION ONLY

REVISION



THIS DOCUMENT IS THE PROPERTY OF HUBBELL - KILLARK. IT IS LOANED TO YOU AND MUST NOT BE USED IN ANY WAY DETRIMENTAL TO THE INTEREST OF HUBBELL - KILLARK.

DRAWN BY: PR

DATE: 03/22/2017

DWG NUMBER: HKHMOD000028

SALES/QUOTE NO.: N/A

TITLE: HKH MODIFIED ENCLOSURE (HKHMOD000028)

SHEET 1 OF 1

4

3

2

1