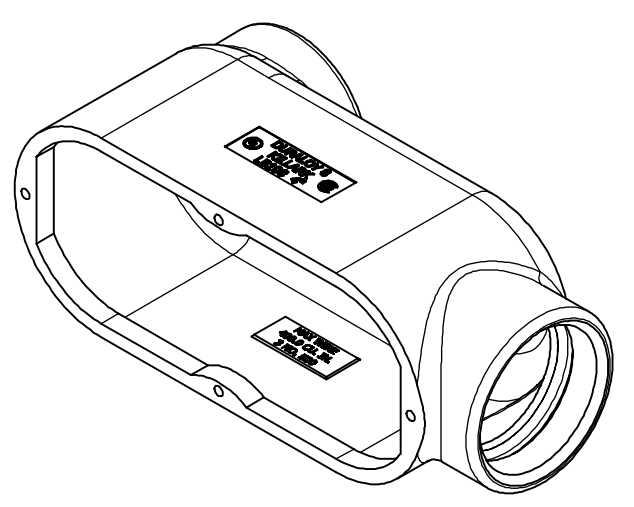
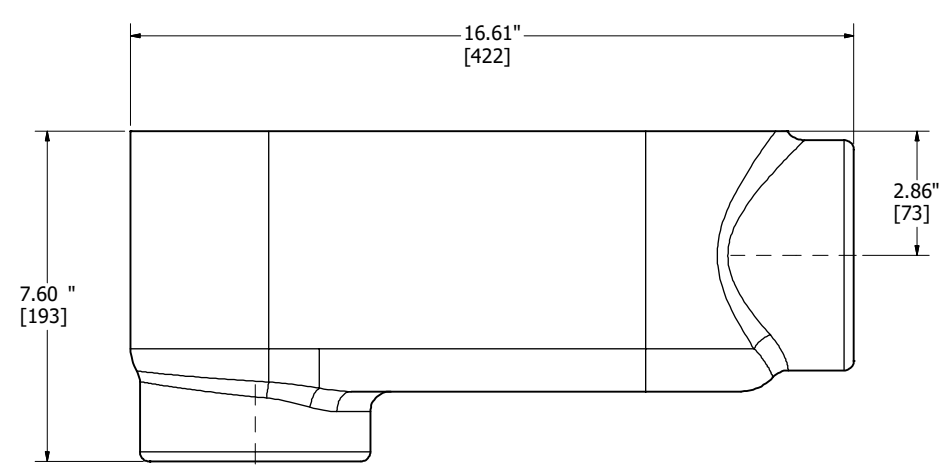


4" NPT
(2) PLACES



CATALOG NUMBER	LB108
	
<small>THIS DOCUMENT IS THE PROPERTY OF KILLARK. IT IS LOANED TO YOU AND MUST NOT BE USED IN ANY WAY DEFERENTIAL TO THE INTEREST OF KILLARK.</small>	