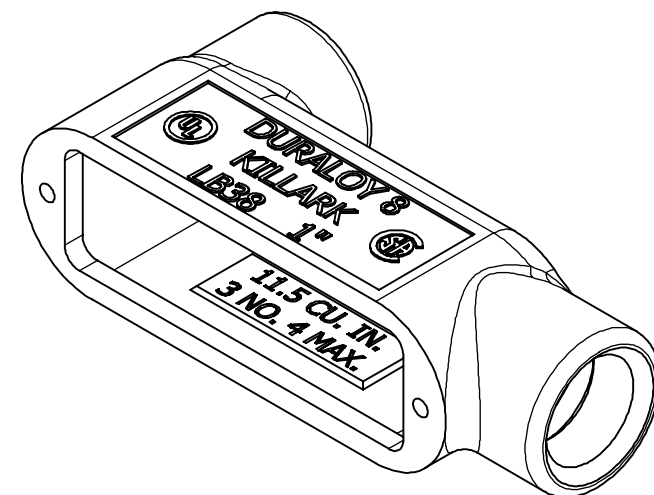
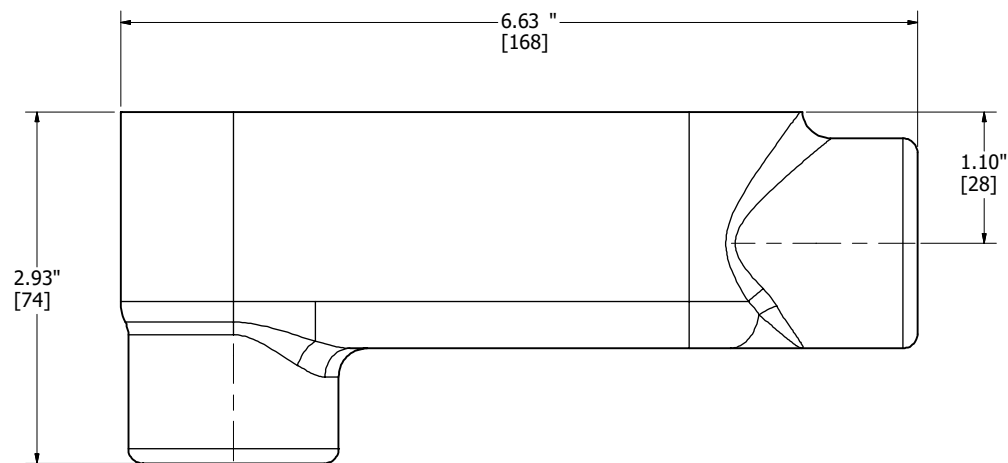


1" NPT
(2) PLACES



CATALOG NUMBER	LB38
 KILLARK	
<small>THIS DOCUMENT IS THE PROPERTY OF KILLARK. IT IS LOANED TO YOU AND MUST NOT BE REPRODUCED IN ANY MANNER WITHOUT THE INTEREST OF KILLARK.</small>	