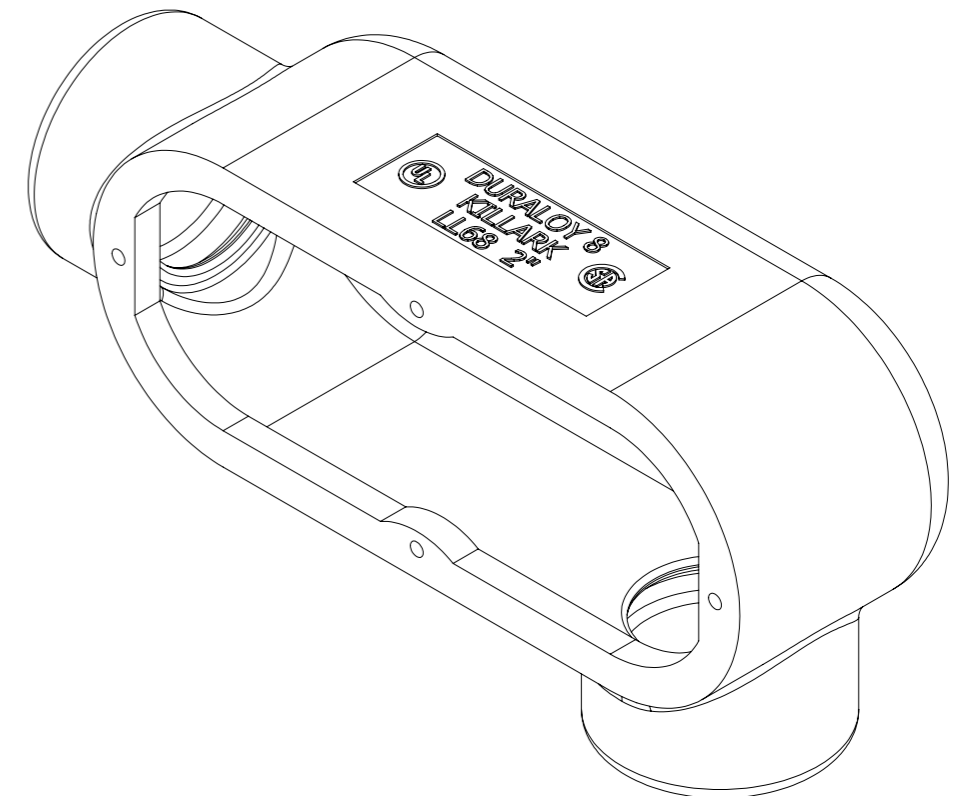
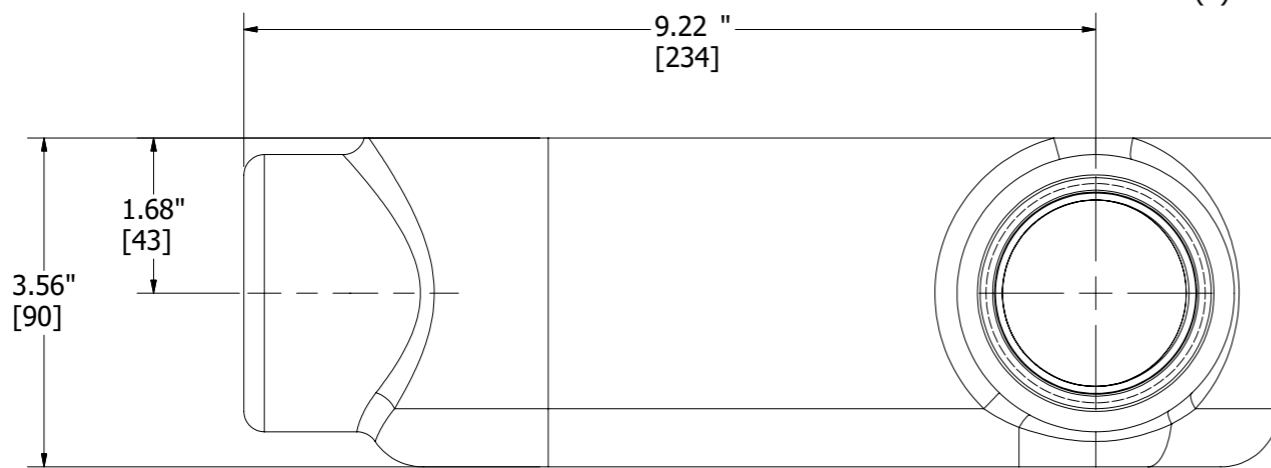


2" NPT
(2) PLACES



CATALOG NUMBER	LL68
<small>THIS DOCUMENT IS THE PROPERTY OF KILLARK. IT IS LOANED TO YOU AND MUST NOT BE USED IN ANY WAY DETRIMENTAL TO THE INTEREST OF KILLARK.</small>	