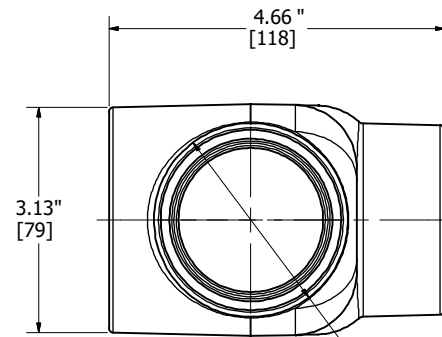
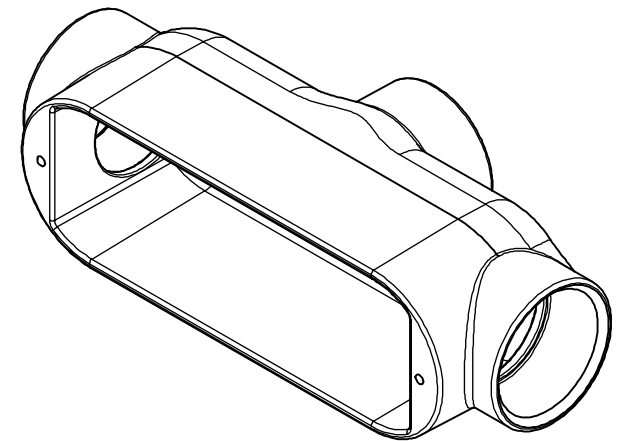
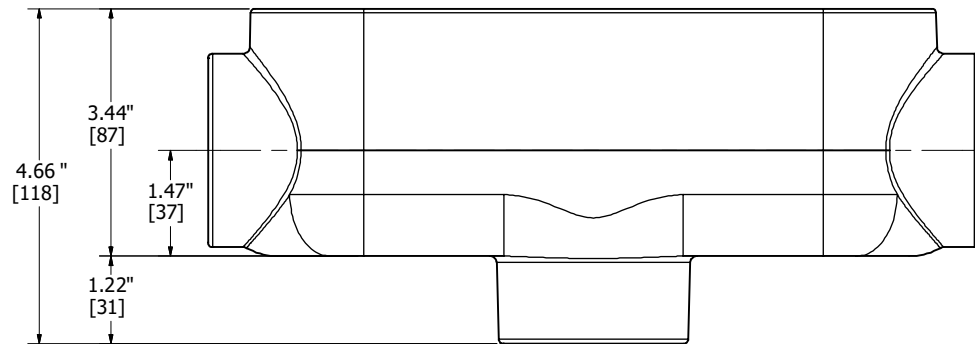


2" NPT
(3) PLACES



Ø2.69"
[Ø68]



CATALOG NUMBER	OTB-6
	
<small>THIS DOCUMENT IS THE PROPERTY OF KILLARK. IT IS LOANED TO YOU AND MUST NOT BE USED IN ANY WAY DETRIMENTAL TO THE INTEREST OF KILLARK.</small>	