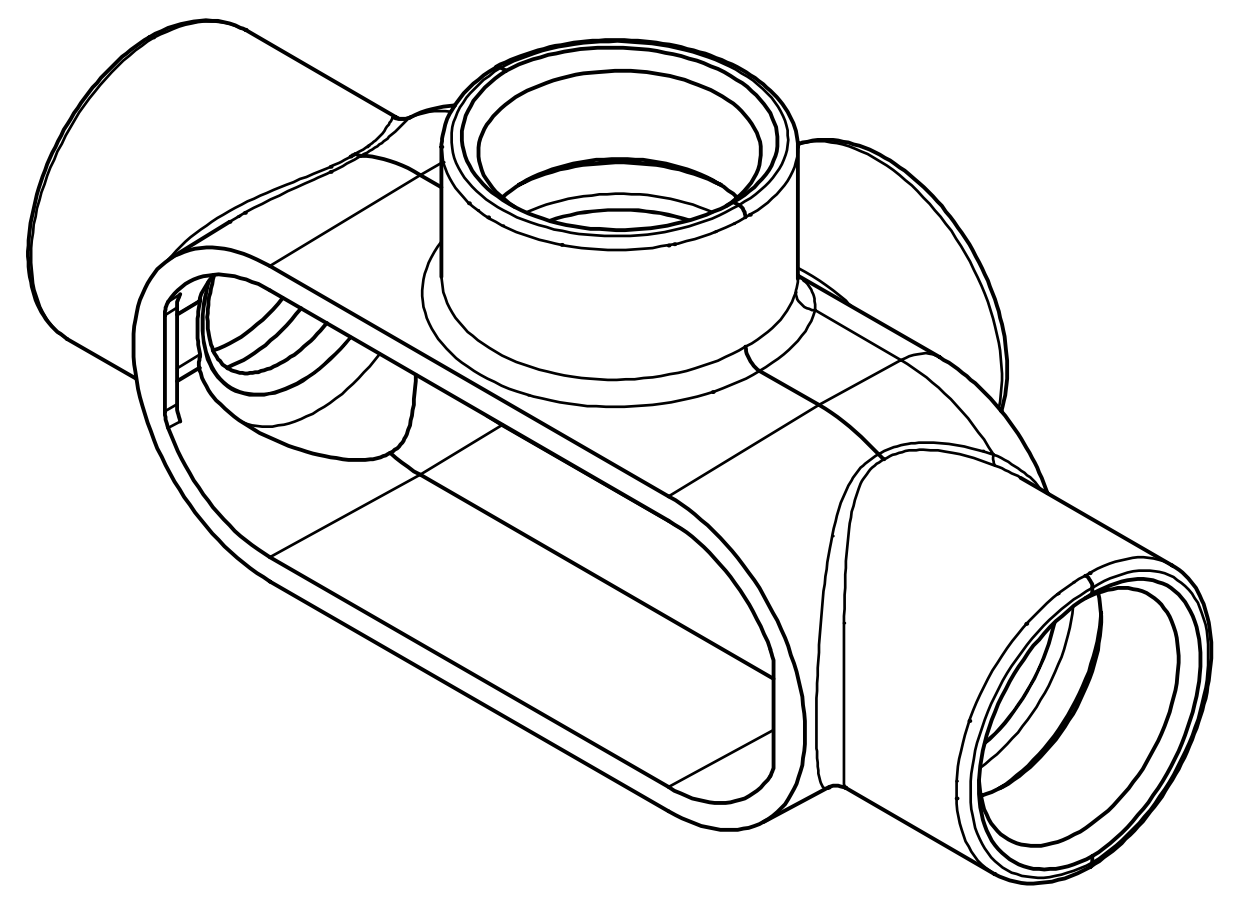
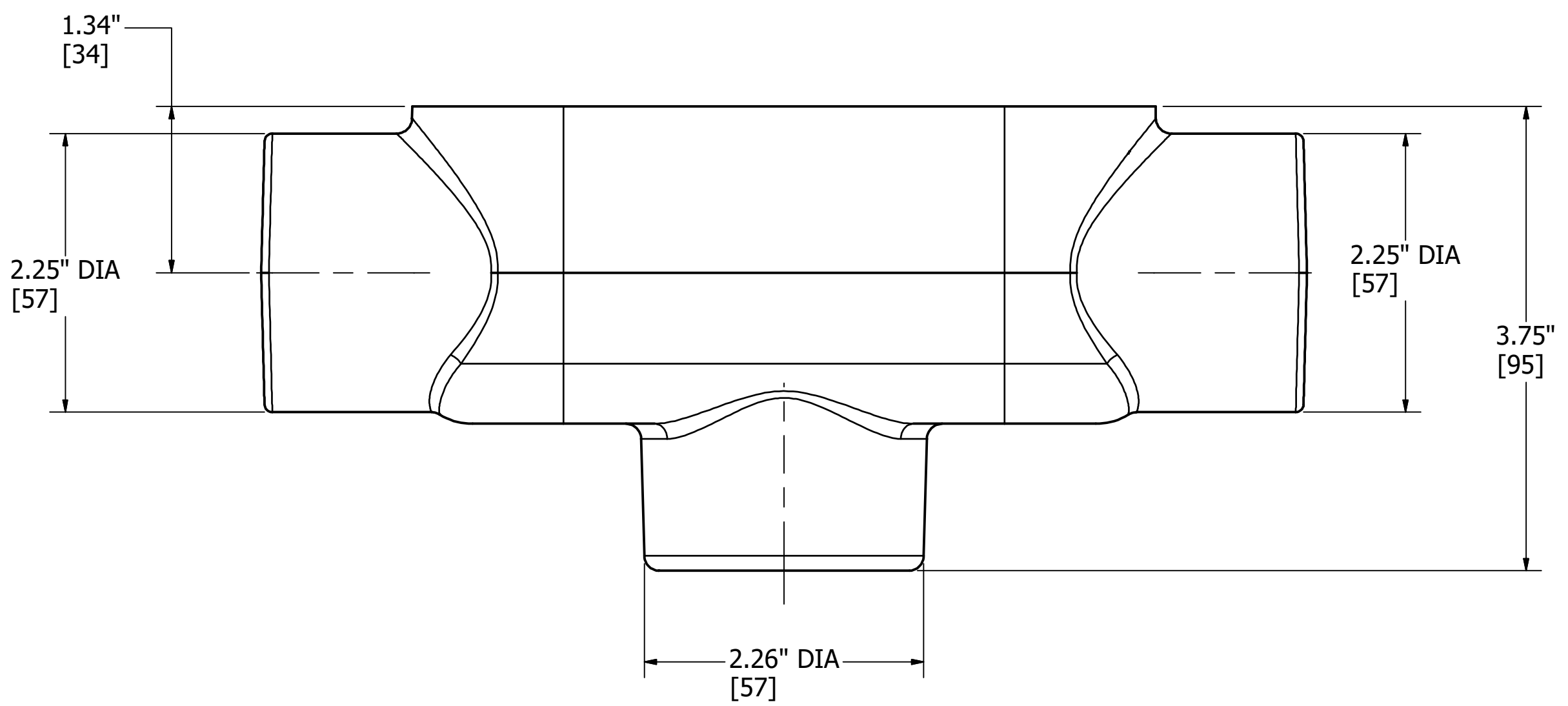


1 1/2" NPT ENTRY
(4 PLACES)



CATALOG NUMBER	TA57/ TA57SA
	
<small>THIS DOCUMENT IS THE PROPERTY OF KILLARK. IT IS LOANED TO YOU AND MUST NOT BE USED IN ANY WAY DETRIMENTAL TO THE INTEREST OF KILLARK.</small>	

