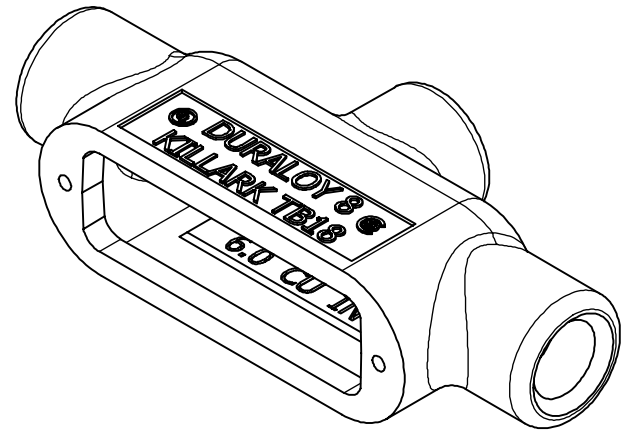
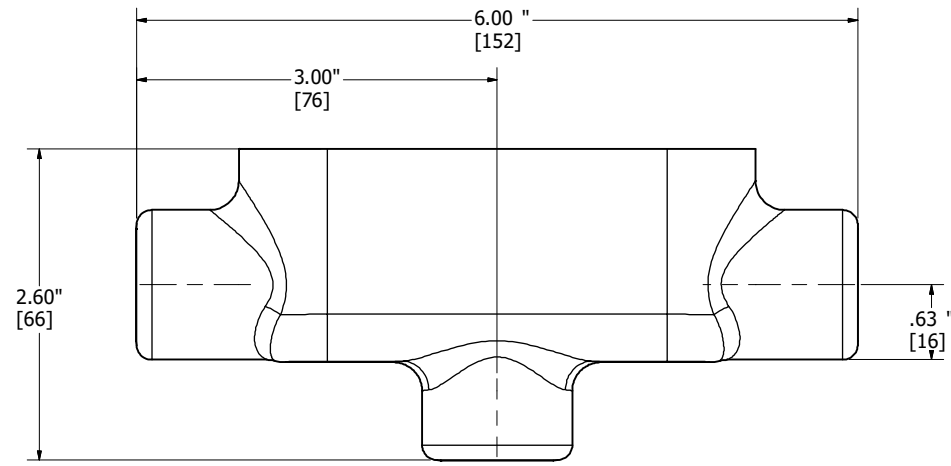
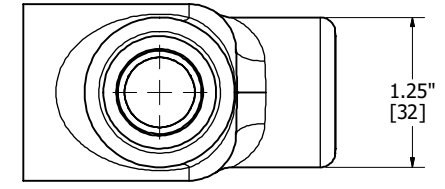


1/2" NPT
(3) PLACES



CATALOG NUMBER	TB18
	

THIS DOCUMENT IS THE PROPERTY OF KILLARK. IT IS LOANED TO YOU AND MUST NOT BE USED IN ANY MANNER DEFERENTIAL TO THE INTEREST OF KILLARK.