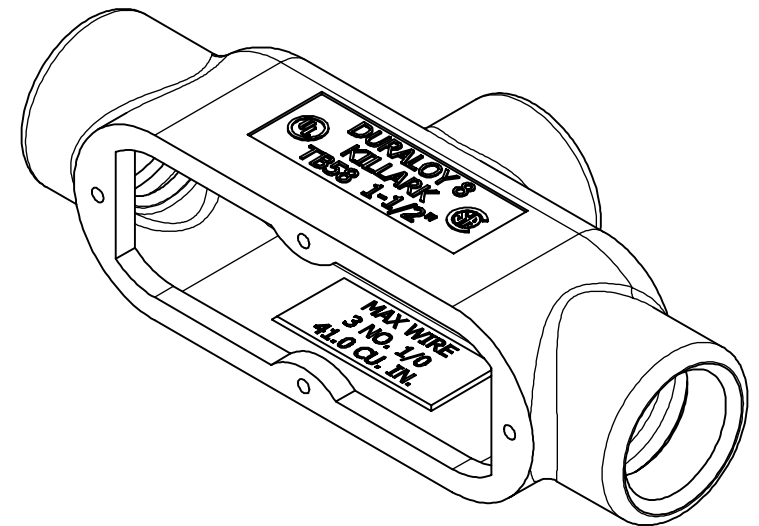
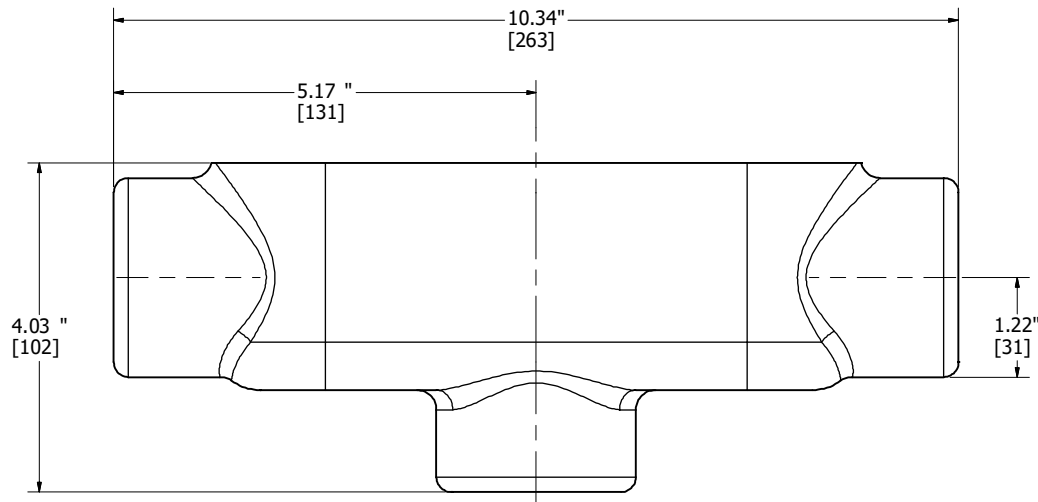
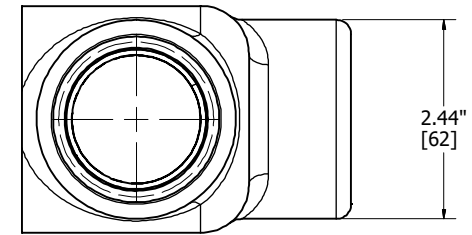


1-1/2" NPT
(3) PLACES



CATALOG NUMBER

TB58



THIS DOCUMENT IS THE PROPERTY OF KILLARK. IT IS LOANED TO YOU AND MUST NOT BE USED IN ANY WAY DEFERENTIAL TO THE INTEREST OF KILLARK.