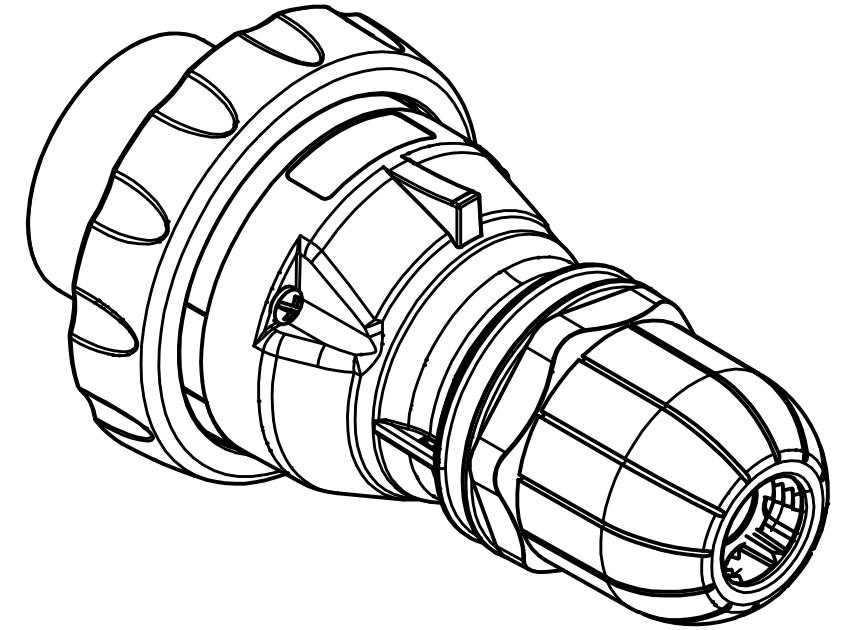
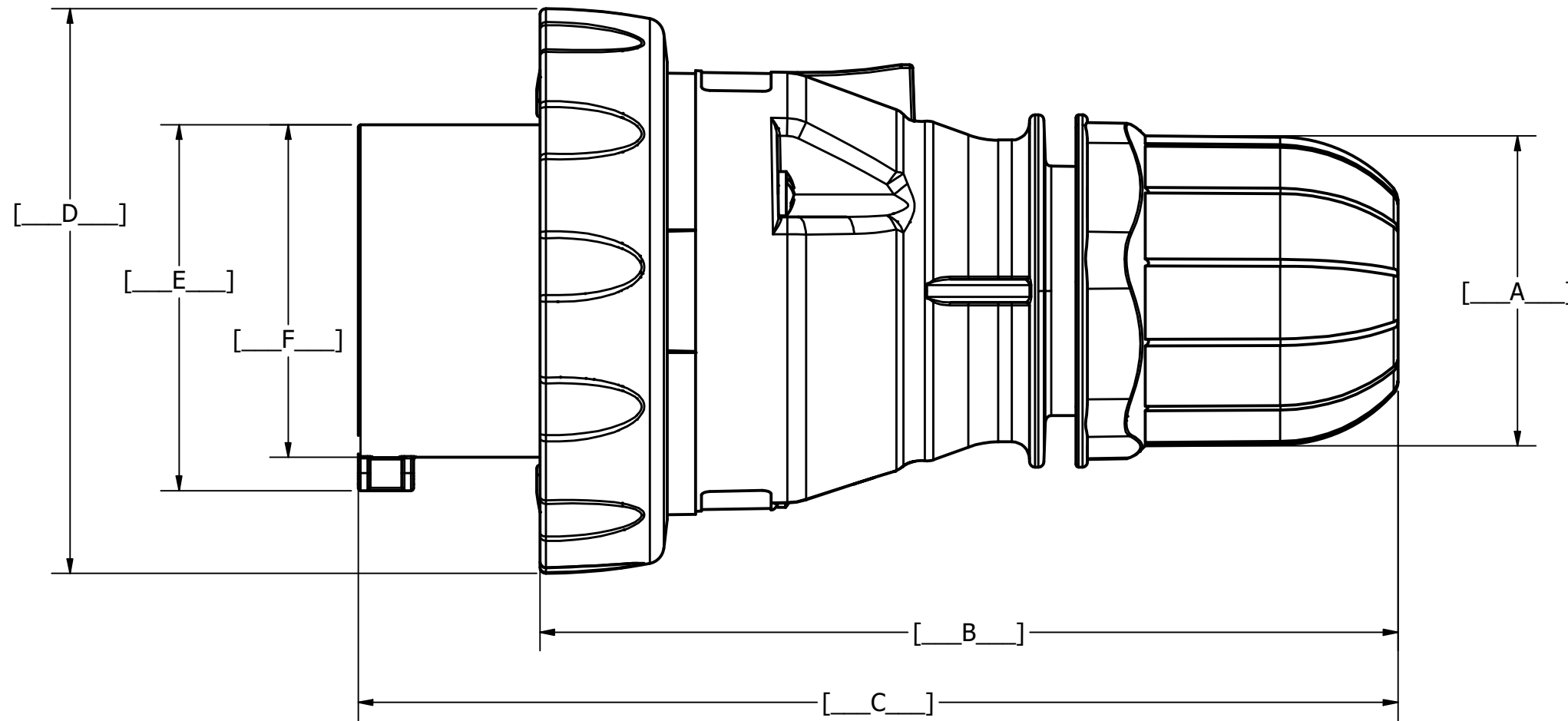


DIMENSION DATA TABLE

POLE	A	B	C	D	E	F
3/4P	2 1/8in [53.4mm]	5 13/16in [147.8mm]	7 1/16in [179.1mm]	3 13/16in [97.3mm]	2 1/2in [63.1mm]	2 1/4in [57.3mm]
5P	2 3/8in [59.8mm]	6 1/8in [154.8mm]	7 5/16in [186.1mm]	4 1/8in [104.4mm]	2 3/4in [69.7mm]	2 1/2in [63.3mm]



DESCRIPTION:	VSIH32PXXX
	
<small>THIS DOCUMENT IS THE PROPERTY OF KILLARK. IT IS LOANED TO YOU AND MUST NOT BE USED IN ANY WAY DETRIMENTAL TO THE INTEREST OF KILLARK.</small>	