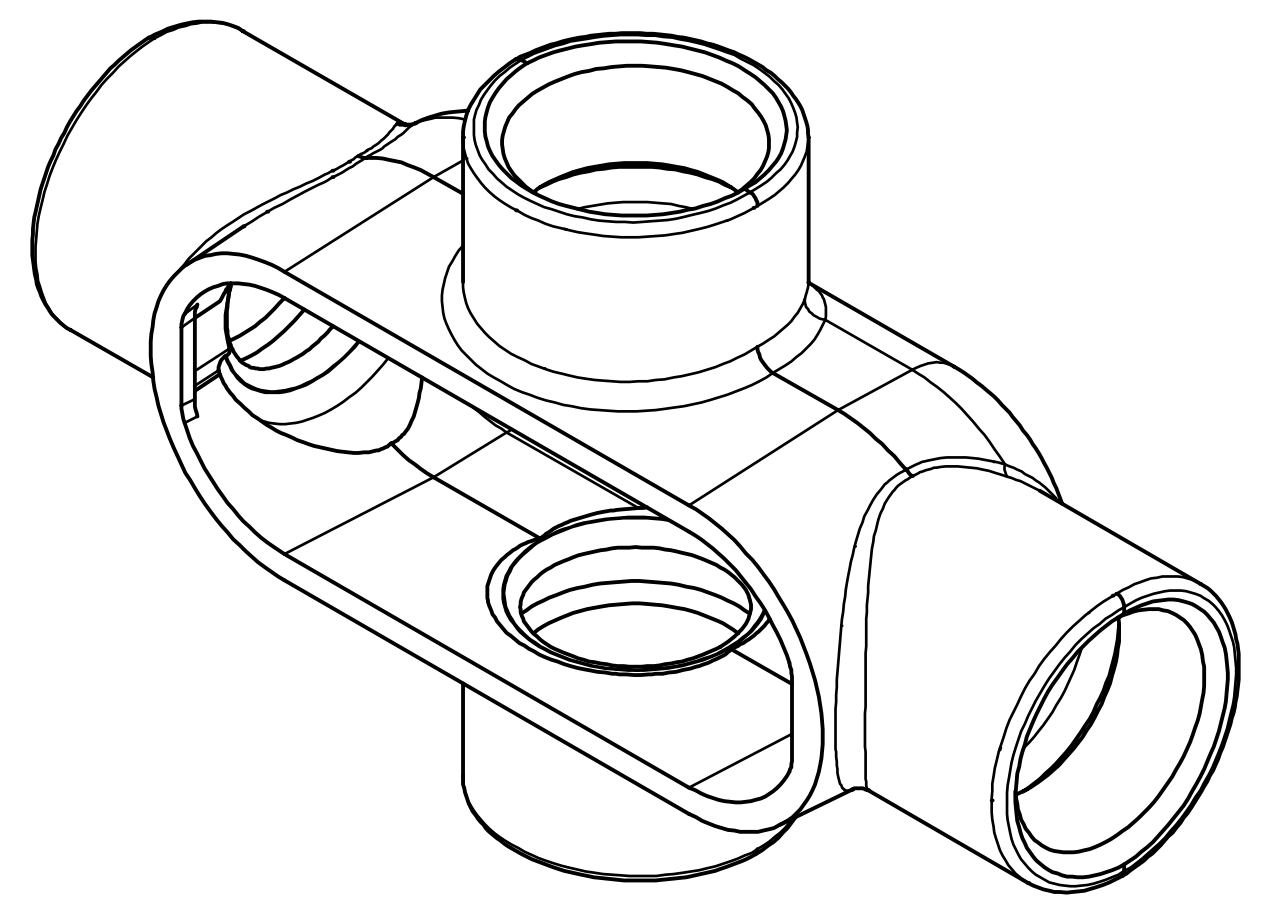
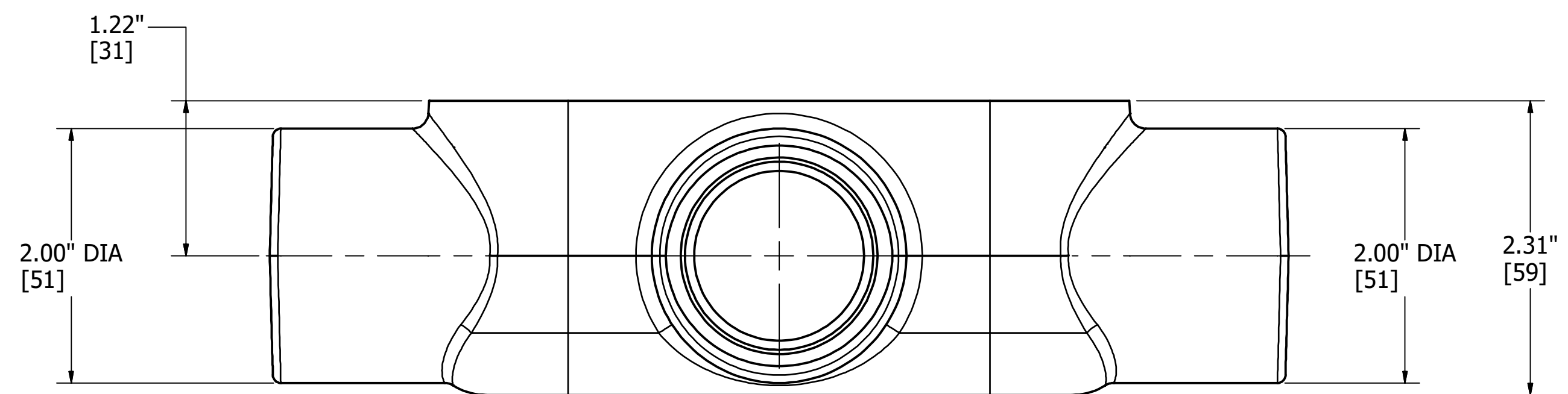
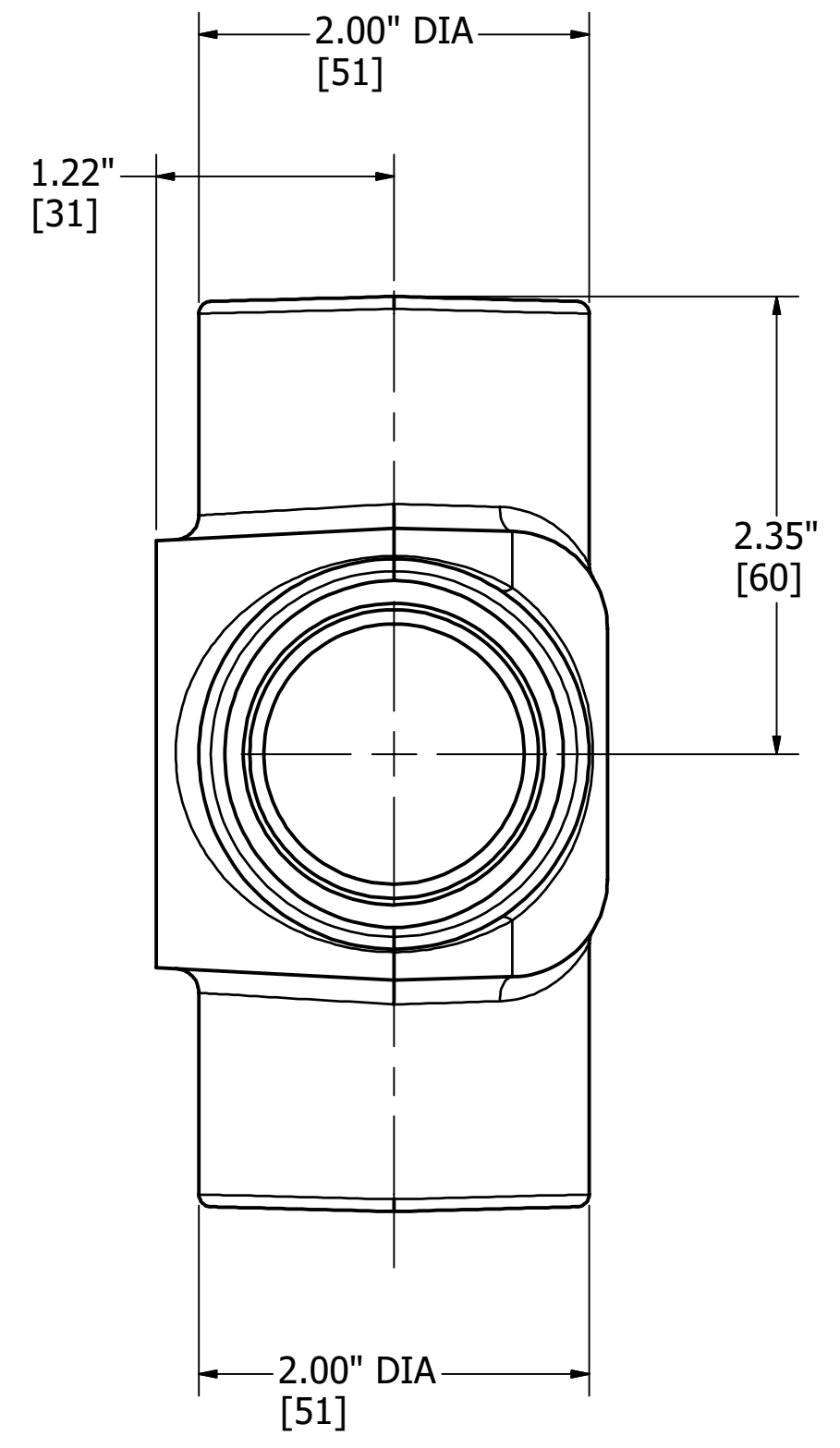


1 1/4" NPT ENTRY
(4 PLACES)



CATALOG NUMBER	X47/ X47SA

THIS DOCUMENT IS THE PROPERTY OF KILLARK. IT IS LOANED TO YOU AND MUST NOT BE USED IN ANY WAY DETRIMENTAL TO THE INTEREST OF KILLARK.