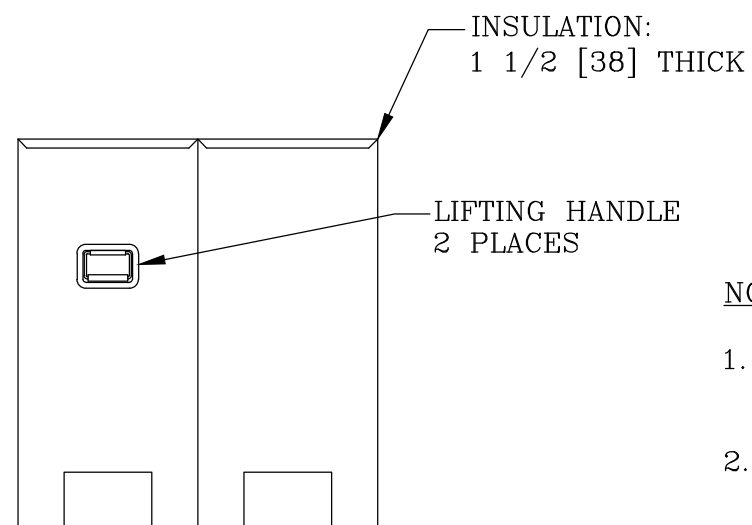
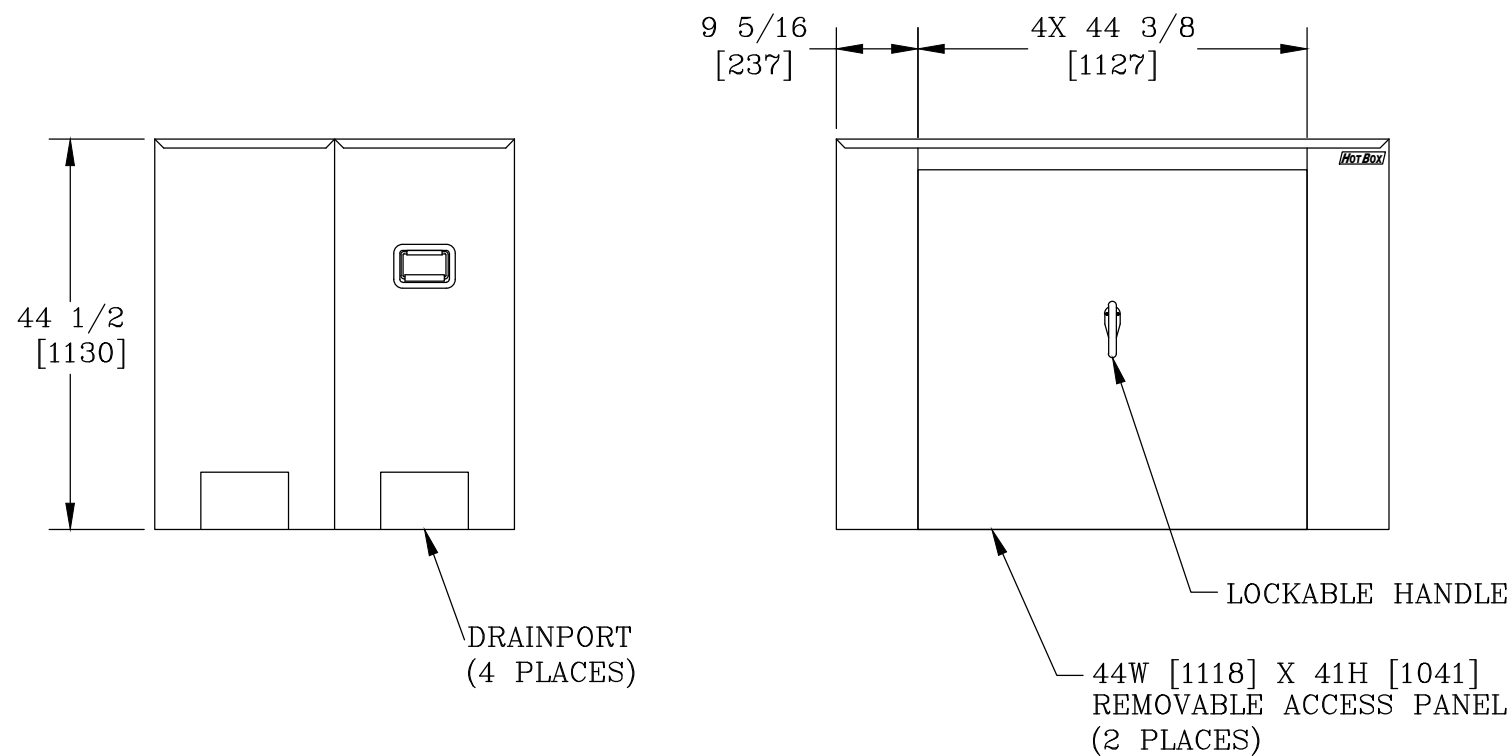



VIEW A-A



NOTES:

- INTERNAL DIMENSIONS: 38 [965]W X 60 [1524]L X 43 [1092]H
- FOR RECOMMENDED SLAB SIZE ADD 9" [229] TO THE ENCLOSURE EXTERIOR.

HOTBOX ENCLOSURES ARE NON-RETURNABLE. A SIGNED DRAWING MUST BE RETURNED AT THE TIME OF ORDER. DIMENSIONS ARE IN INCHES OR MILLIMETERS IN BRACKETS UNLESS OTHERWISE NOTED.				 3621 INDUSTRIAL PARK DR LENOIR CITY, TN 37771 800-346-3062 www.hot-box.com		LOC
DRN	BY	DATE	WEIGHT	DRAWING DESCRIPTION	HOT BOX® (2 SECTION) ALUMINUM ENCLOSURE LB3FN-D	LC
CHK	KPE	10/1/09	145# 66kg			S
ENG			SCALE			REV
APR			1/2"=1'			A
APR			SIZE			10/09
PROJECT NUMBER			DRAWING NUMBER			
091085			LA038060043			
SHEET 1 OF 1						