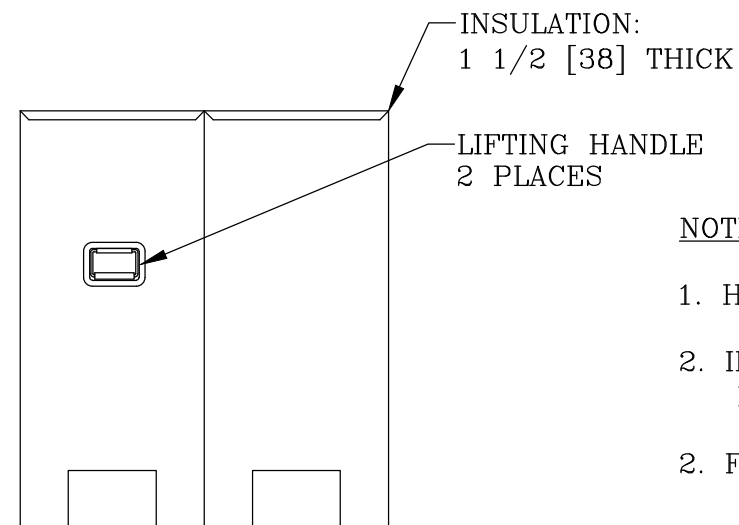
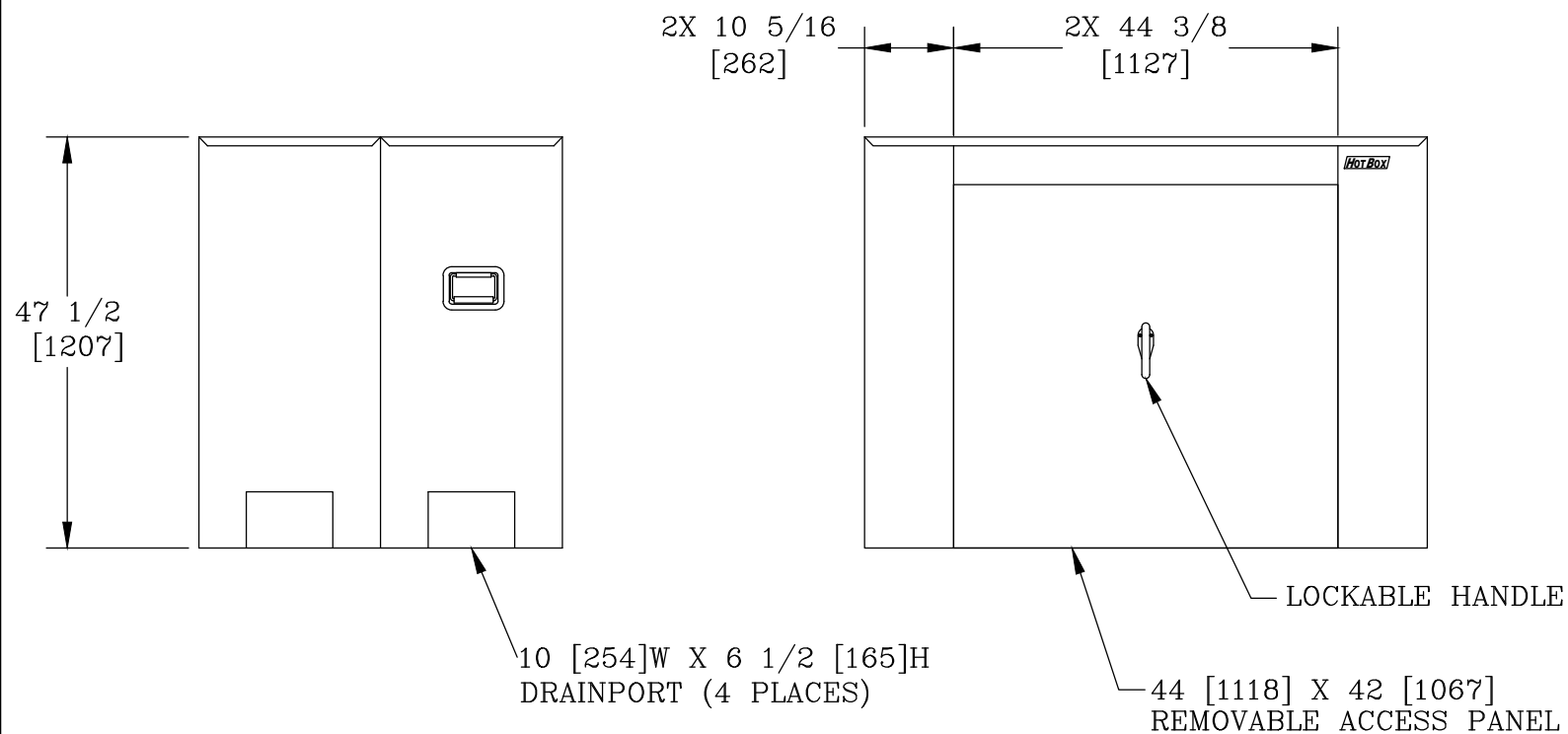



VIEW A-A



NOTES:

- HEAT IS NOT PROVIDED. (HEATER OPTIONS AVAILABLE)
- INTERNAL DIMENSIONS: 39 [991]W X 62 [1575]L X 46 [1168]H
- FOR RECOMMENDED SLAB SIZE ADD 9" [229] TO THE ENCLOSURE EXTERIOR.

HOTBOX ENCLOSURES ARE NON-RETURNABLE. A SIGNED DRAWING MUST BE RETURNED AT THE TIME OF ORDER. DIMENSIONS ARE IN INCHES OR MILLIMETERS IN BRACKETS UNLESS OTHERWISE NOTED.				 3621 INDUSTRIAL PARK DR LENOIR CITY, TN 37771 800-346-3062 www.hot-box.com		LOC
DRN	BY	DATE	WEIGHT	DRAWING DESCRIPTION	REV	
CHK	KPC	9/14/09	155#		S	
ENG			70kg		B	
APR			SCALE		11/13	
APR			1/2"=1'			
PROJECT NUMBER			SIZE	HOT BOX® (2 SECTION) ALUMINUM ENCLOSURE LB6000AN		
09866			B			
SHEET 1 OF 1				DRAWING NUMBER		
				LA039062046		