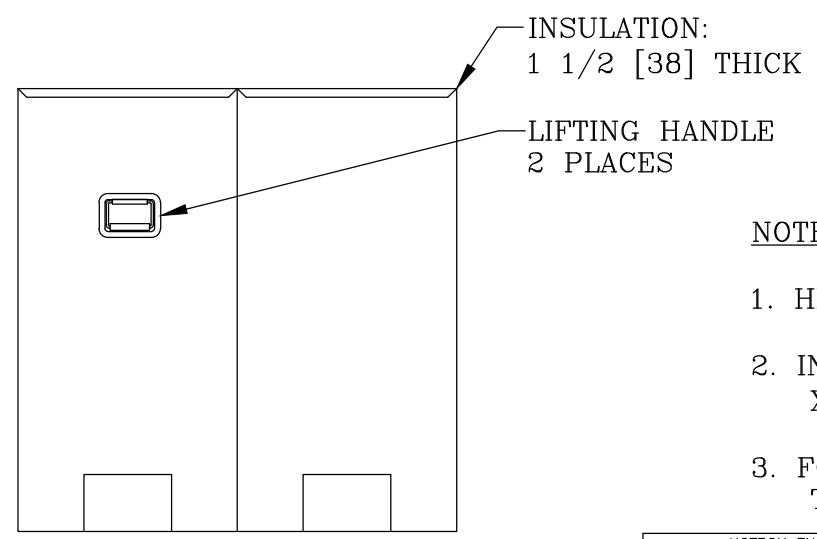
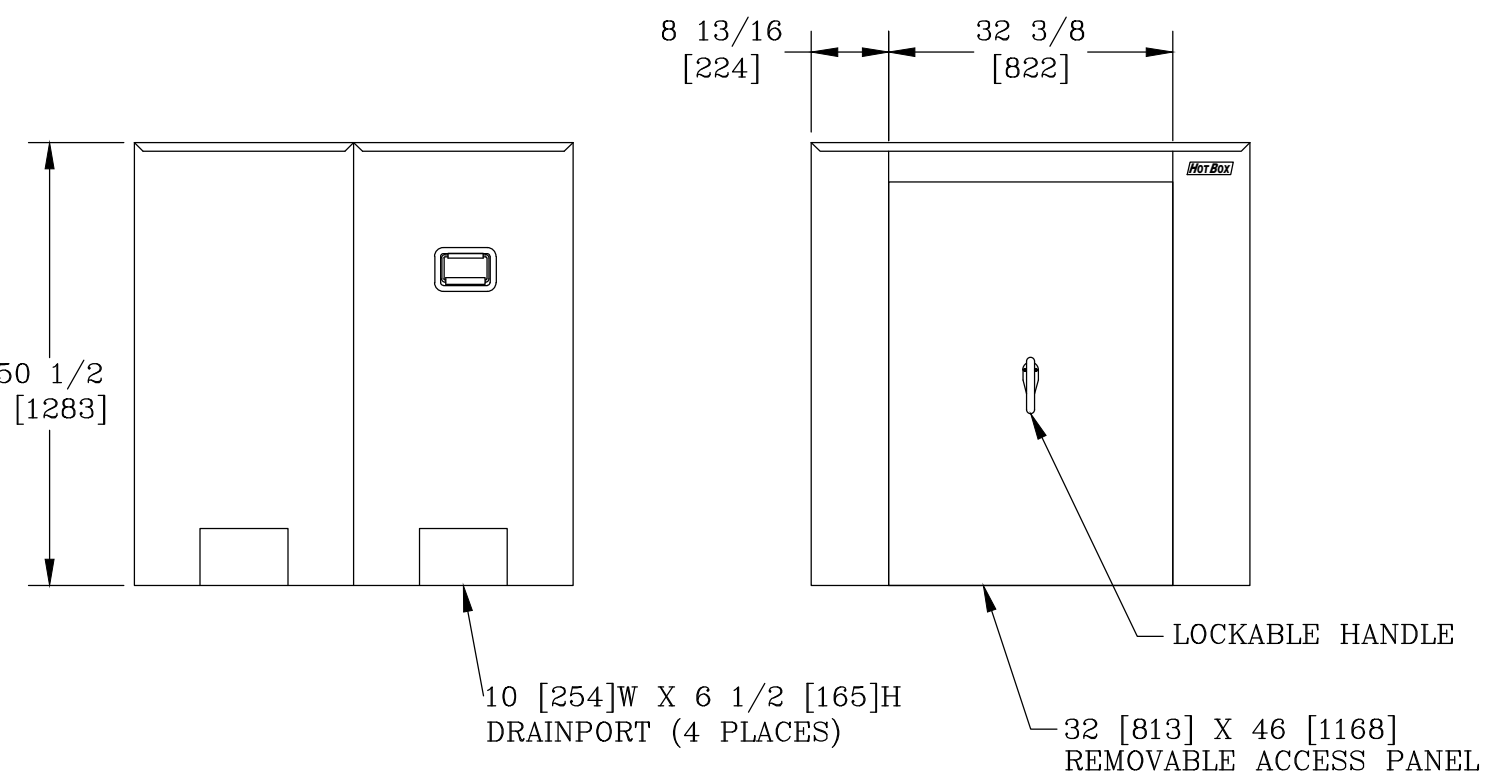


VIEW A-A



NOTES:

- HEAT IS NOT PROVIDED. (HEATER OPTIONS AVAILABLE)
- INTERNAL DIMENSIONS: 47 [1194]W X 47 [1194]L X 49 [1245]H
- FOR RECOMMENDED SLAB SIZE ADD 9" [229] TO THE ENCLOSURE EXTERIOR.

HOTBOX ENCLOSURES ARE NON-RETURNABLE. A SIGNED DRAWING MUST BE RETURNED AT THE TIME OF ORDER. DIMENSIONS ARE IN INCHES OR MILLIMETERS IN BRACKETS UNLESS OTHERWISE NOTED.				
DRN	BY	DATE	WEIGHT	LOC
	KPC	9/24/09	149# 68kg	LC
CHK			SCALE	S
ENG			1/2"=1'	REV
APR			SIZE	A
APR				
PROJECT NUMBER			DRAWING DESCRIPTION	9/09
09940				
SHEET 1 OF 1			DRAWING NUMBER	
			LA047047049	