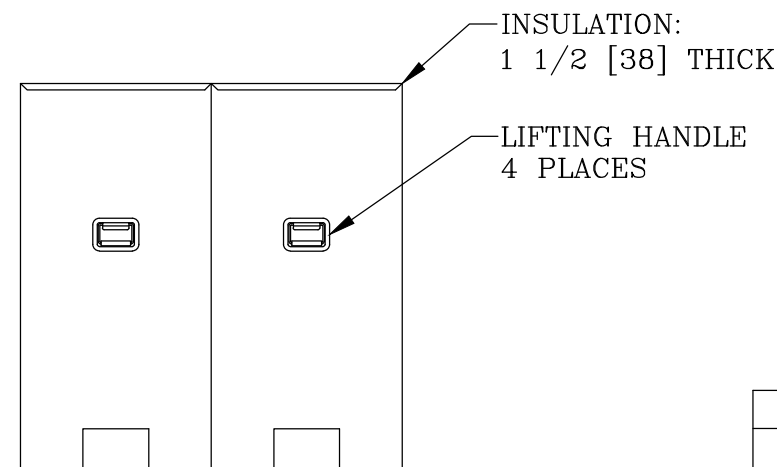
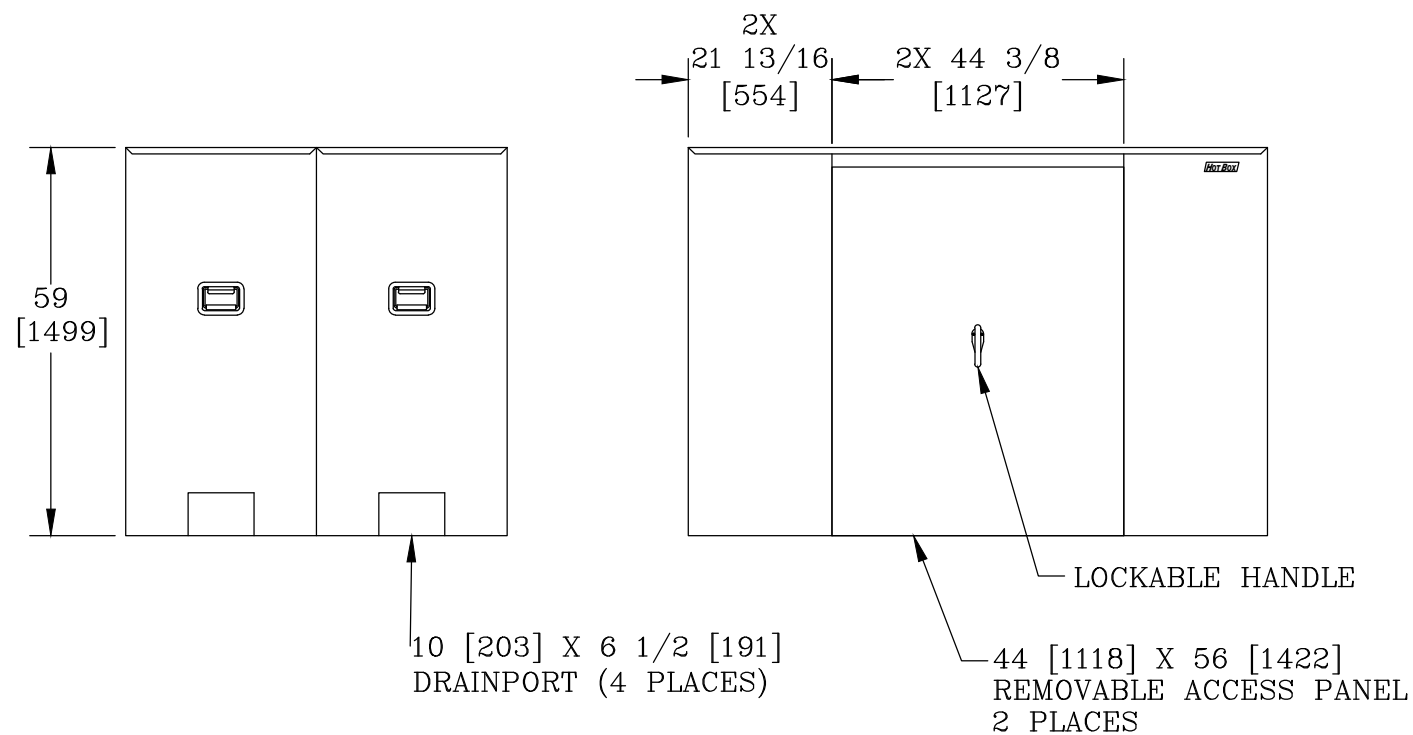



VIEW A-A



NOTES:

- INTERNAL DIMENSIONS: 55 [1397]W X 85 [2159]L X 57 1/2 [1461]H
- FOR RECOMMENDED SLAB SIZE ADD 9" [229] TO THE ENCLOSURE EXTERIOR.

HOTBOX ENCLOSURES ARE NON-RETURNABLE. A SIGNED DRAWING MUST BE RETURNED AT THE TIME OF ORDER. DIMENSIONS ARE IN INCHES OR MILLIMETERS IN BRACKETS UNLESS OTHERWISE NOTED.				 3621 INDUSTRIAL PARK DR LENOIR CITY, TN 37771 800-346-3062 www.hot-box.com		LOC
DRN	BY	DATE	WEIGHT	DRAWING DESCRIPTION	LC	
CHK	KPC	7/21/10	239#		S	
ENG			109kg		REV	
APR			SCALE		A	
APR			3/8"=1'	HOT BOX® (2 SECTION) ALUMINUM ENCLOSURE LB3E-DS	7/10	
PROJECT NUMBER			SIZE		DRAWING NUMBER	
101484			B	LA055085057		
SHEET 1 OF 1						