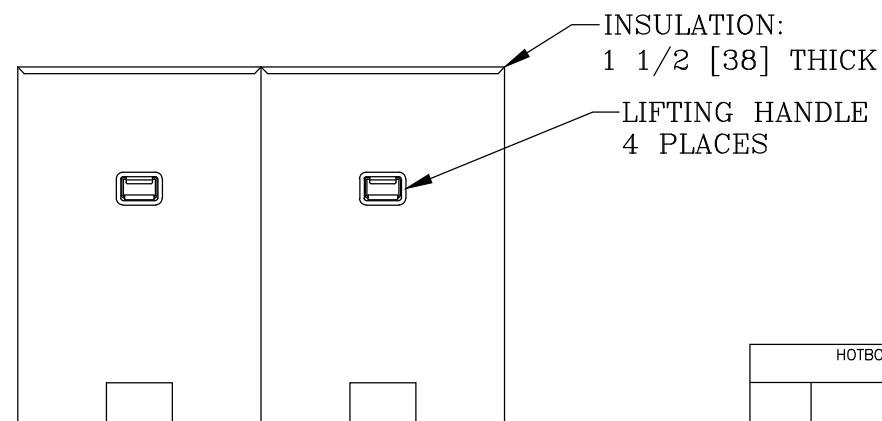
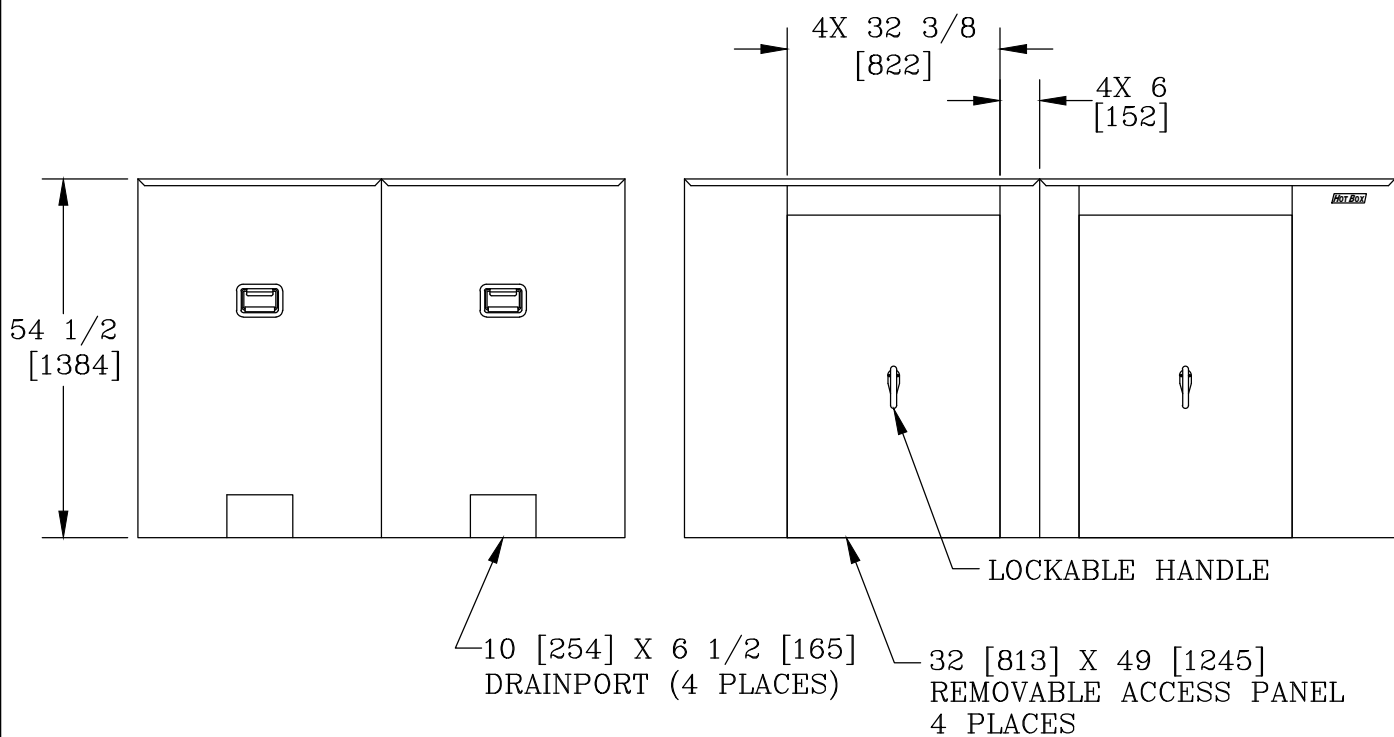


VIEW A-A



NOTES:

- INTERNAL DIMENSIONS: 71 [1803]W X 105 [2667]L X 53 [1346]H
- FOR RECOMMENDED SLAB SIZE ADD 9" [229] TO THE ENCLOSURE EXTERIOR.

HOTBOX ENCLOSURES ARE NON-RETURNABLE. A SIGNED DRAWING MUST BE RETURNED AT THE TIME OF ORDER. DIMENSIONS ARE IN INCHES OR MILLIMETERS IN BRACKETS UNLESS OTHERWISE NOTED.				HUBBELL®		3621 INDUSTRIAL PARK DR LENOIR CITY, TN 37771 800-346-3062 www.hot-box.com		LOC
DRN	BY	DATE	WEIGHT	DRAWING DESCRIPTION	HOT BOX® (4 SECTION) ALUMINUM ENCLOSURE LB6N-D	SIZE	REV	LC
CHK	KPC	9/9/09	338# 153kg					S
ENG			SCALE					A
APR			3/8"=1'					
APR			B					9/09
PROJECT NUMBER				DRAWING NUMBER				
09849				LA071105053		SHEET 1 OF 1		