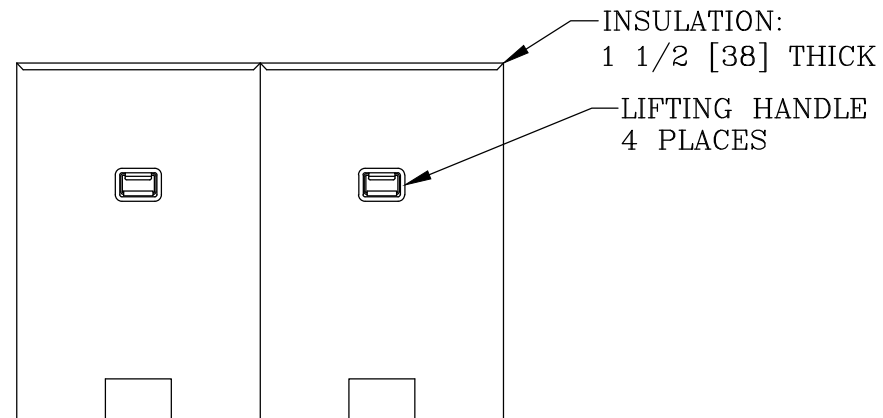
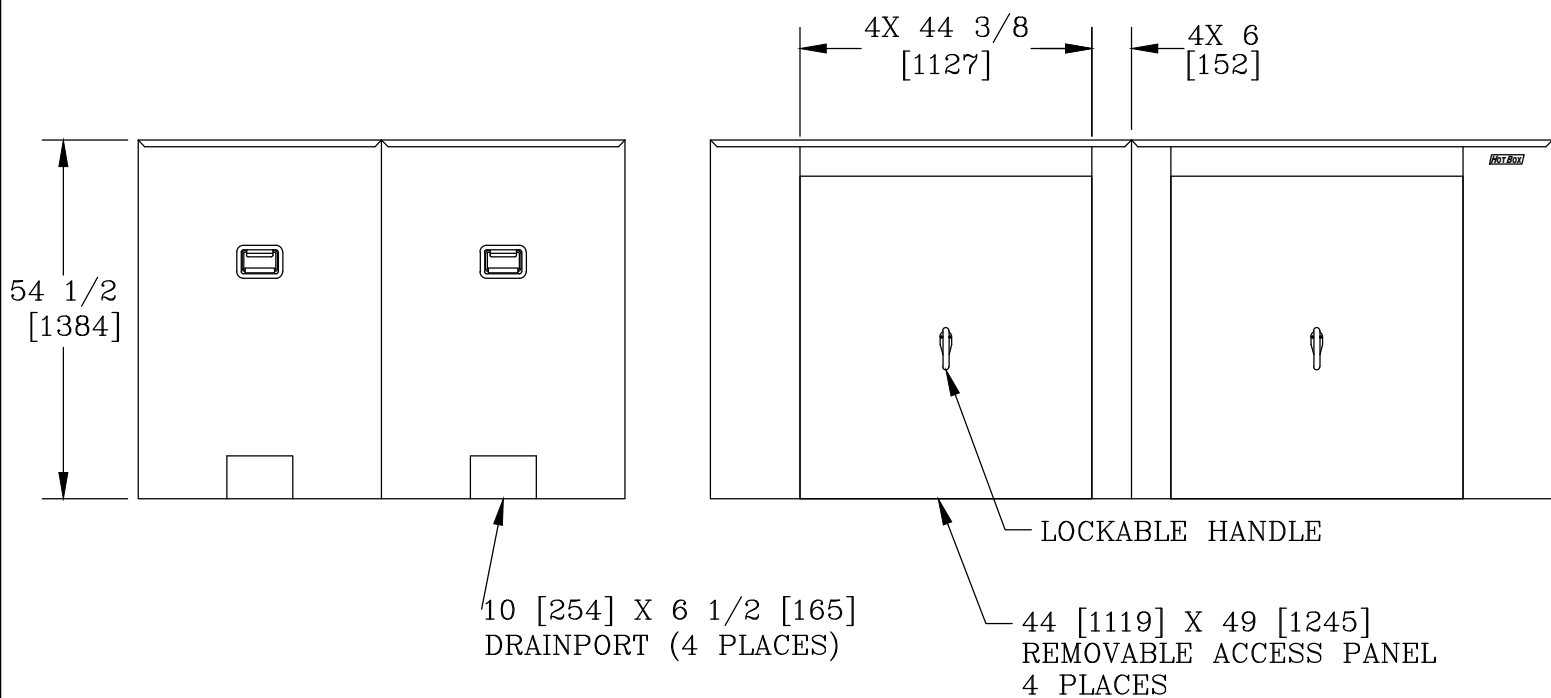



VIEW A-A



NOTES:

- INTERNAL DIMENSIONS: 71 [1803]W X 125 [3175]L X 53 [1346]H
- FOR RECOMMENDED SLAB SIZE ADD 9" [229] TO THE ENCLOSURE EXTERIOR.

HOTBOX ENCLOSURES ARE NON-RETURNABLE. A SIGNED DRAWING MUST BE RETURNED AT THE TIME OF ORDER. DIMENSIONS ARE IN INCHES OR MILLIMETERS IN BRACKETS UNLESS OTHERWISE NOTED.				 3621 INDUSTRIAL PARK DR LENOIR CITY, TN 37771 800-346-3062 www.hot-box.com		LOC
DRN	BY	DATE	WEIGHT	DRAWING DESCRIPTION	HOT BOX® (4 SECTION) ALUMINUM ENCLOSURE LB6N-DS	LC
CHK			373#			REV
ENG			169kg			A
APR			SCALE			9/09
APR			3/8"=1'			
PROJECT NUMBER			SIZE	DRAWING NUMBER		
			B	LA071125053		
SHEET 1 OF 1						