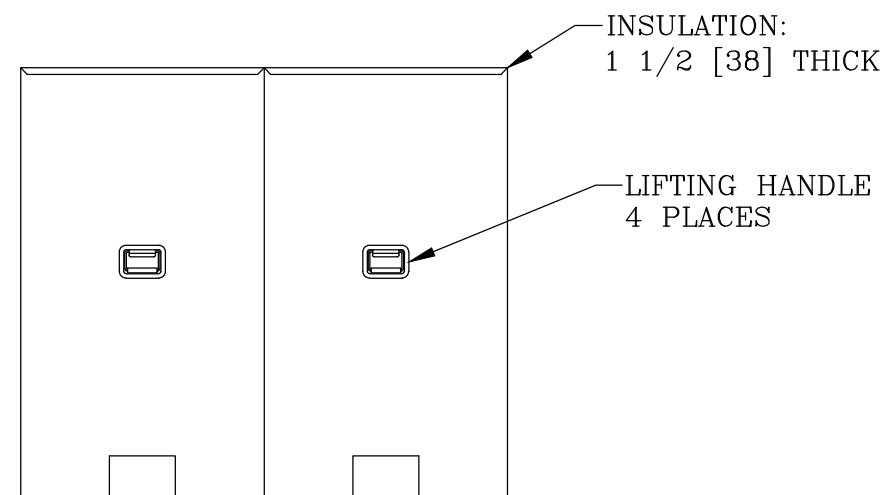
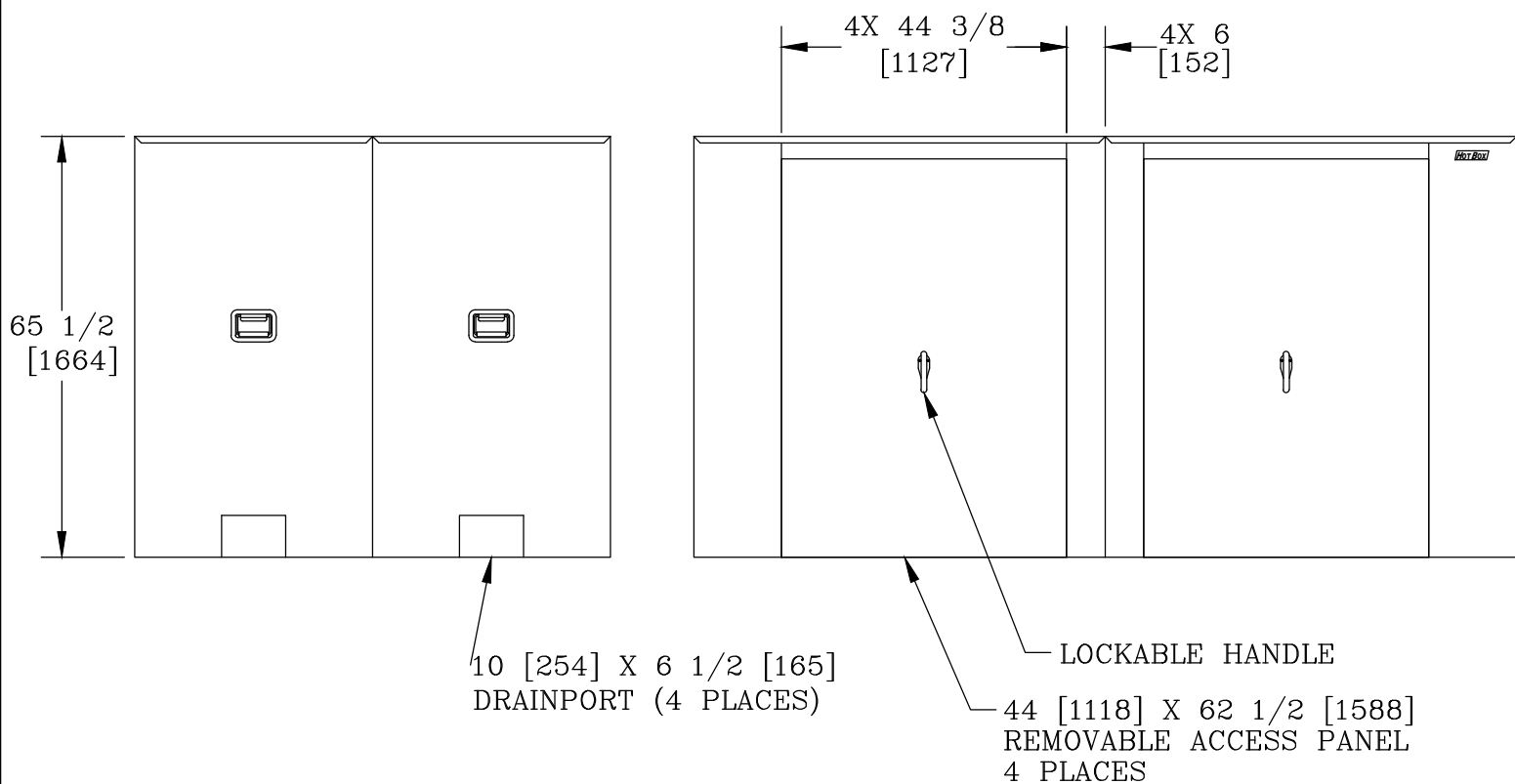



VIEW A-A



NOTES:

- INTERNAL DIMENSIONS: 71 [1803]W X 125 [3175]L X 64 [1626]H
- FOR RECOMMENDED SLAB SIZE ADD 9" [229] TO THE ENCLOSURE EXTERIOR.

HOTBOX ENCLOSURES ARE NON-RETURNABLE. A SIGNED DRAWING MUST BE RETURNED AT THE TIME OF ORDER. DIMENSIONS ARE IN INCHES OR MILLIMETERS IN BRACKETS UNLESS OTHERWISE NOTED.				
BY	DATE	WEIGHT	 3621 INDUSTRIAL PARK DR LENOIR CITY, TN 37771 800-346-3062 www.hot-box.com	LOC
DRN	9/10/09	415# 188kg		LC
CHK		SCALE	DRAWING DESCRIPTION	REV
ENG		3/8"=1'		A
APR		SIZE		
APR		B		9/09
PROJECT NUMBER			DRAWING NUMBER	
09852			LA071125064	
SHEET 1 OF 1				