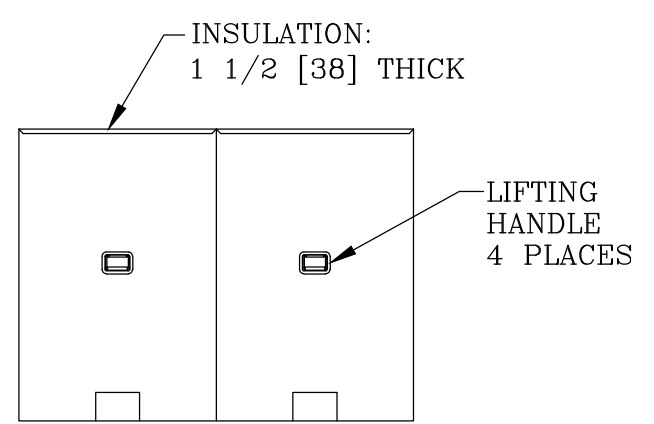
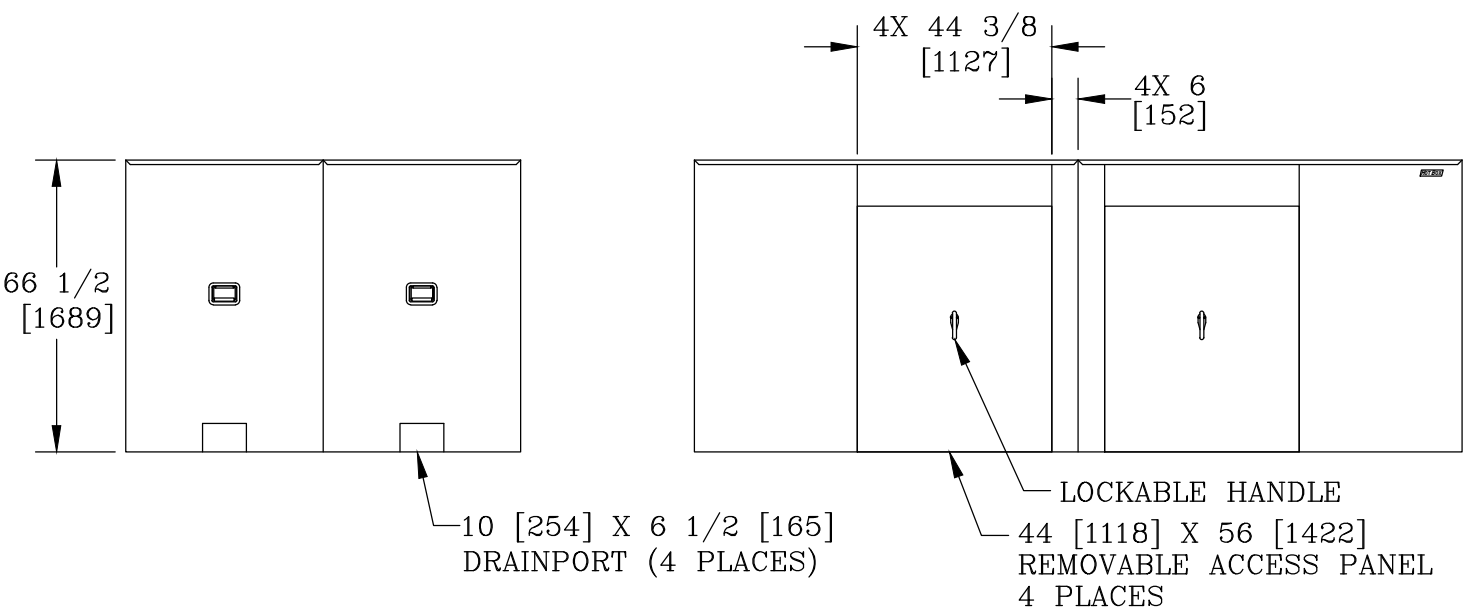



VIEW A-A



NOTES:

- INTERNAL DIMENSIONS: 87 [2210]W X 172 [4369]L X 65 [1651]H
- FOR RECOMMENDED SLAB SIZE ADD 9" [229] TO THE ENCLOSURE EXTERIOR.

HOTBOX ENCLOSURES ARE NON-RETURNABLE. A SIGNED DRAWING MUST BE RETURNED AT THE TIME OF ORDER. DIMENSIONS ARE IN INCHES OR MILLIMETERS IN BRACKETS UNLESS OTHERWISE NOTED.				
BY	DATE	WEIGHT	 3621 INDUSTRIAL PARK DR LENOIR CITY, TN 37771 800-346-3062 www.hot-box.com	LOC
DRN	KPC	9/14/09		615# 279kg
CHK			SCALE	DRAWING DESCRIPTION
ENG			1/4"=1'	HOT BOX® (4 SECTION) ALUMINUM ENCLOSURE LB10N-DS
APR			SIZE	
APR			B	A
PROJECT NUMBER			DRAWING NUMBER	
09858			LA087172065	
SHEET			1 OF 1	