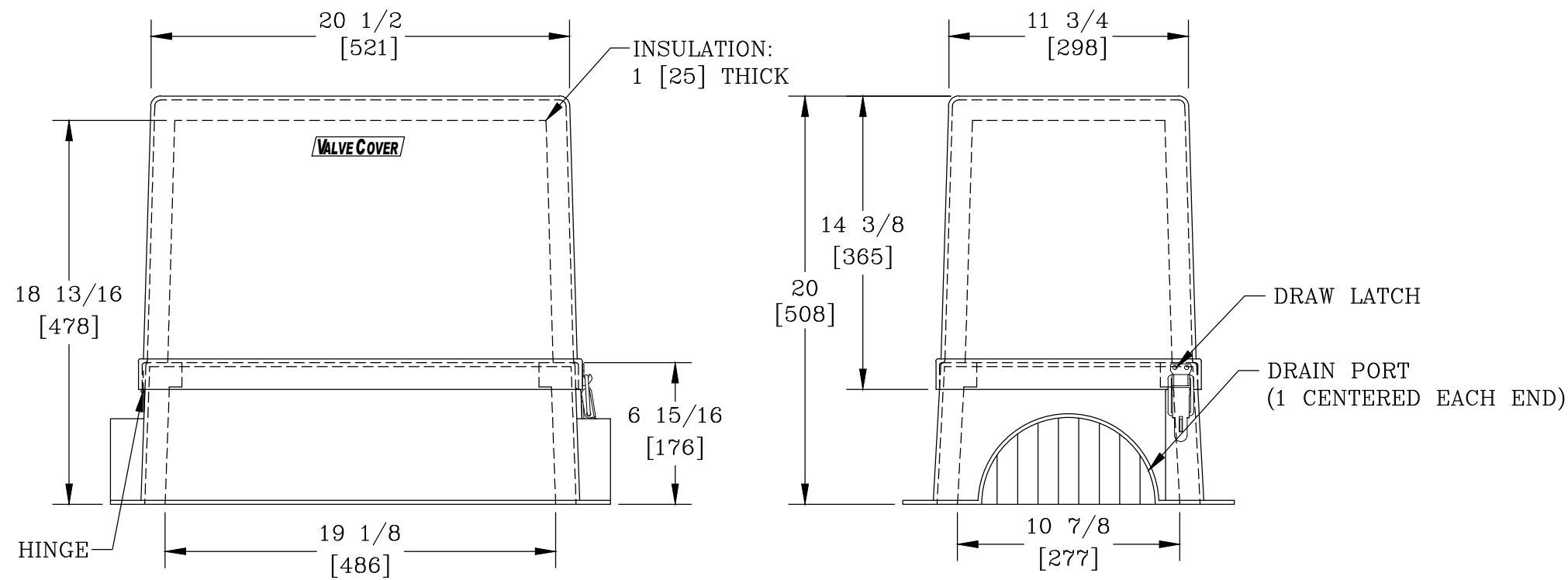
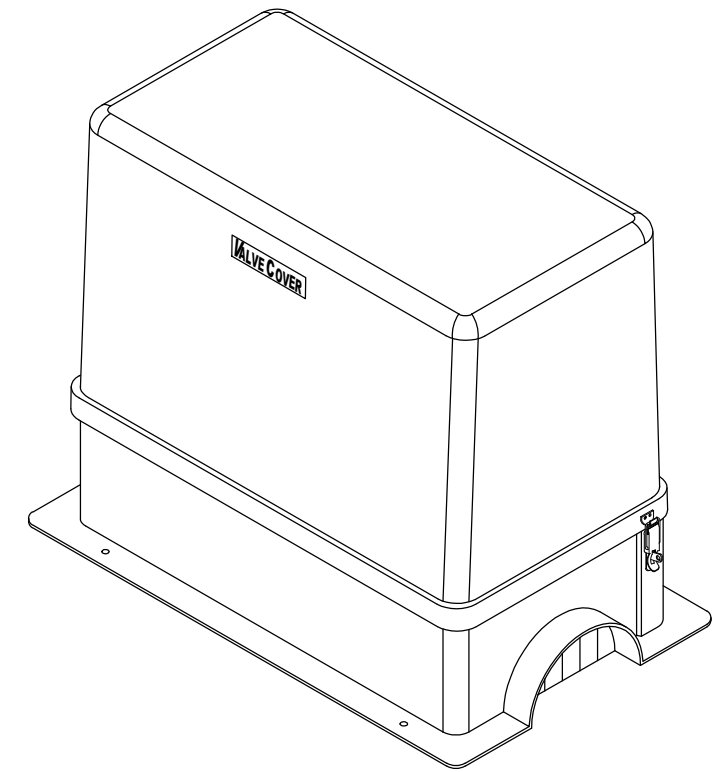


CUSTOMER APPROVAL


APPROVED BY: \_\_\_\_\_

DATE: \_\_\_\_\_



**NOTES:**

- HEAT IS NOT PROVIDED WITH THIS ENCLOSURE.
- 1/4" X 2" HAMMER DRIVEN ANCHORS FOR MOUNTING THROUGH THE ANCHOR LIP ARE SUPPLIED WITH THE ENCLOSURE. (NOT SHOWN)
- STANDARD COLOR IS BEIGE. (OPTIONS AVAILABLE)
- FOR RECOMMENDED SLAB SIZE ADD 9" [229] TO THE ENCLOSURE EXTERIOR.

HOTBOX ENCLOSURES ARE NON-RETURNABLE. A SIGNED DRAWING MUST BE RETURNED AT THE TIME OF ORDER. DIMENSIONS ARE IN INCHES OR MILLIMETERS IN BRACKETS UNLESS OTHERWISE NOTED.				 3621 INDUSTRIAL PARK DR LENOIR CITY, TN 37771 800-346-3062 www.hot-box.com	LOC
DRN	BY	DATE	WEIGHT		LC
CHK	ENG	APR	APR	32# 14.5kg	S
				SCALE	REV
				1 1/2"=1'	B
				SIZE	1/22
				B	
DRAWING DESCRIPTION				HOT BOX® FIBERGLASS ENCLOSURE VC1	
PROJECT NUMBER				DRAWING NUMBER	
SHEET 1 OF 1				LC009018018	