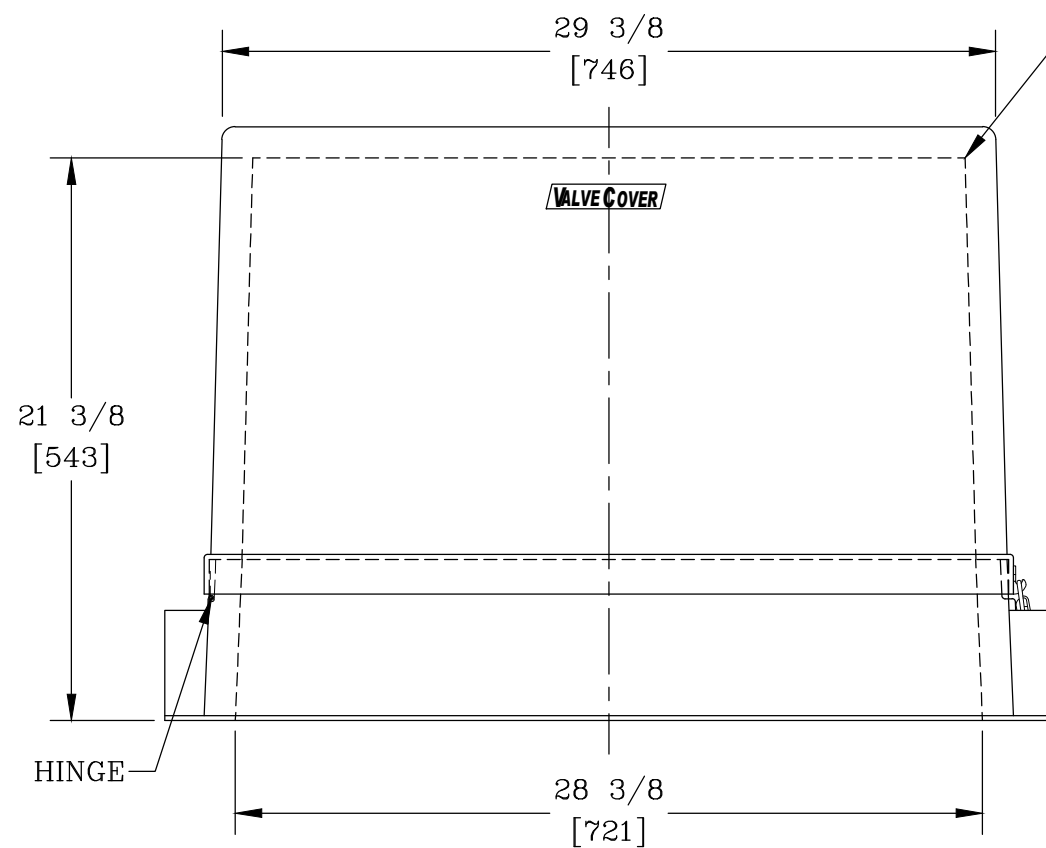
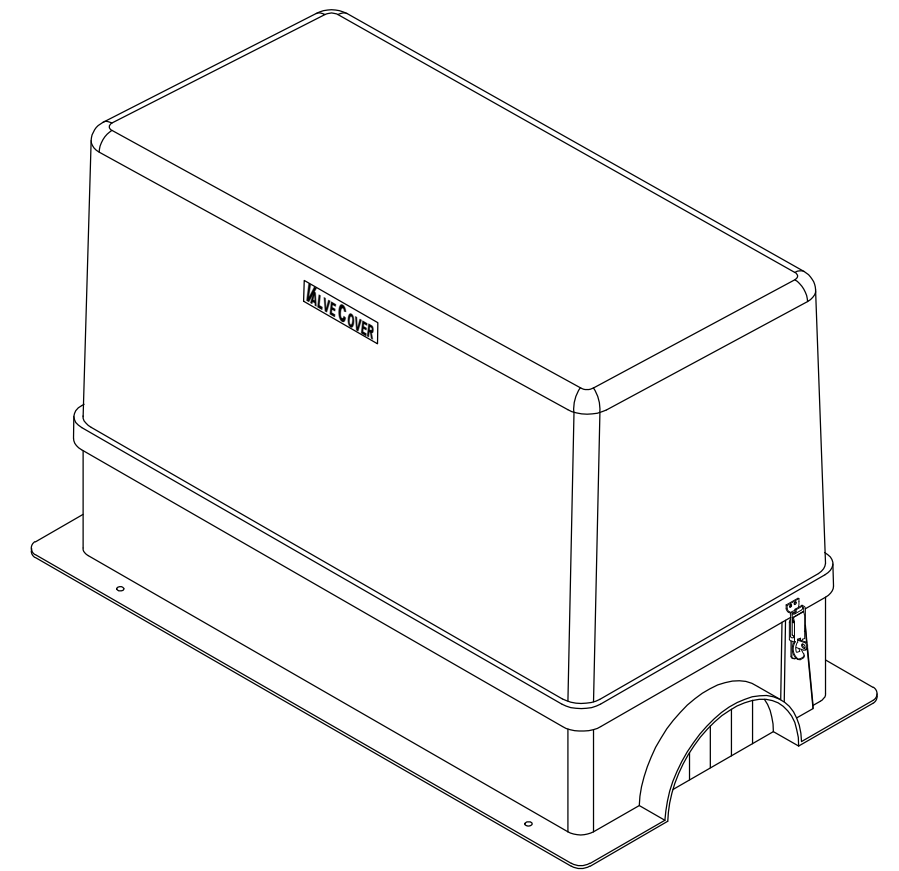


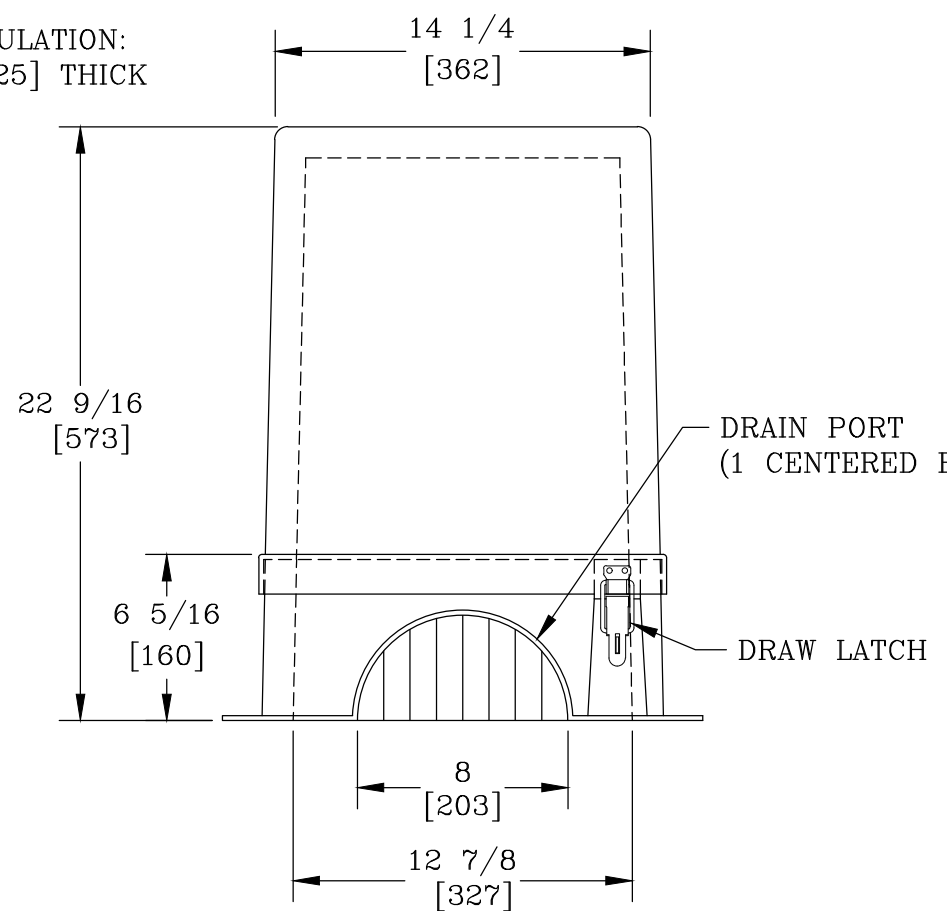
CUSTOMER APPROVAL

APPROVED BY: _____

DATE: _____




INSULATION:
1 [25] THICK



NOTES:

- HEAT IS NOT PROVIDED WITH THIS ENCLOSURE.
- 1/4" X 2" HAMMER DRIVEN ANCHORS FOR MOUNTING THROUGH THE ANCHOR LIP ARE SUPPLIED WITH THE ENCLOSURE. (NOT SHOWN)
- ENCLOSURE COLOR IS BEIGE.
- FOR RECOMMENDED SLAB SIZE ADD 9" [229] TO THE ENCLOSURE EXTERIOR.

HOTBOX ENCLOSURES ARE NON-RETURNABLE. A SIGNED DRAWING MUST BE RETURNED AT THE TIME OF ORDER. DIMENSIONS ARE IN INCHES OR MILLIMETERS IN BRACKETS UNLESS OTHERWISE NOTED.					
DRN	BY	DATE	WEIGHT	 3621 INDUSTRIAL PARK DR LENOIR CITY, TN 37771 800-346-3062 www.hot-box.com	LOC
CHK			48# 22kg		LC
ENG			SCALE		S
APR			1 1/2"=1'		REV
APR			SIZE		A
DRAWING DESCRIPTION				6/15	
HOT BOX® FIBERGLASS ENCLOSURE VC2					
PROJECT NUMBER			DRAWING NUMBER		
SHEET 1 OF 1			LC012026020		