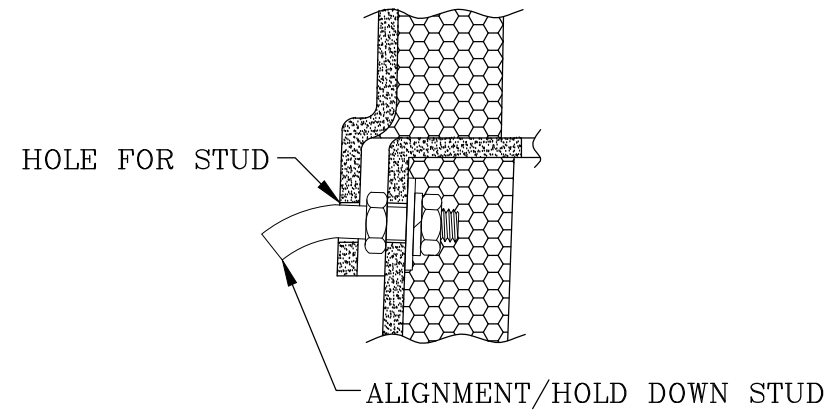
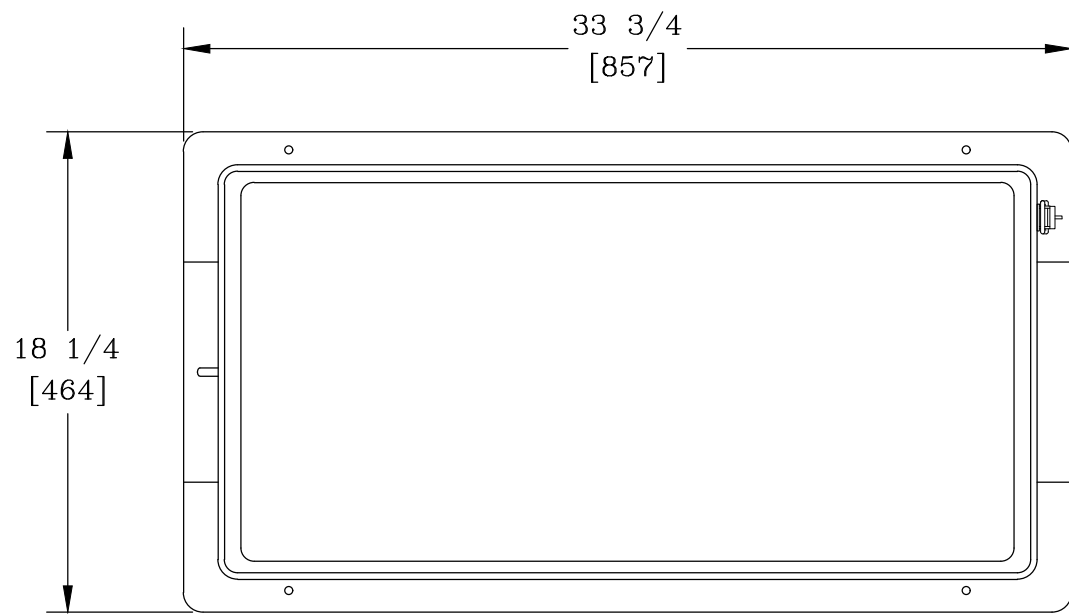
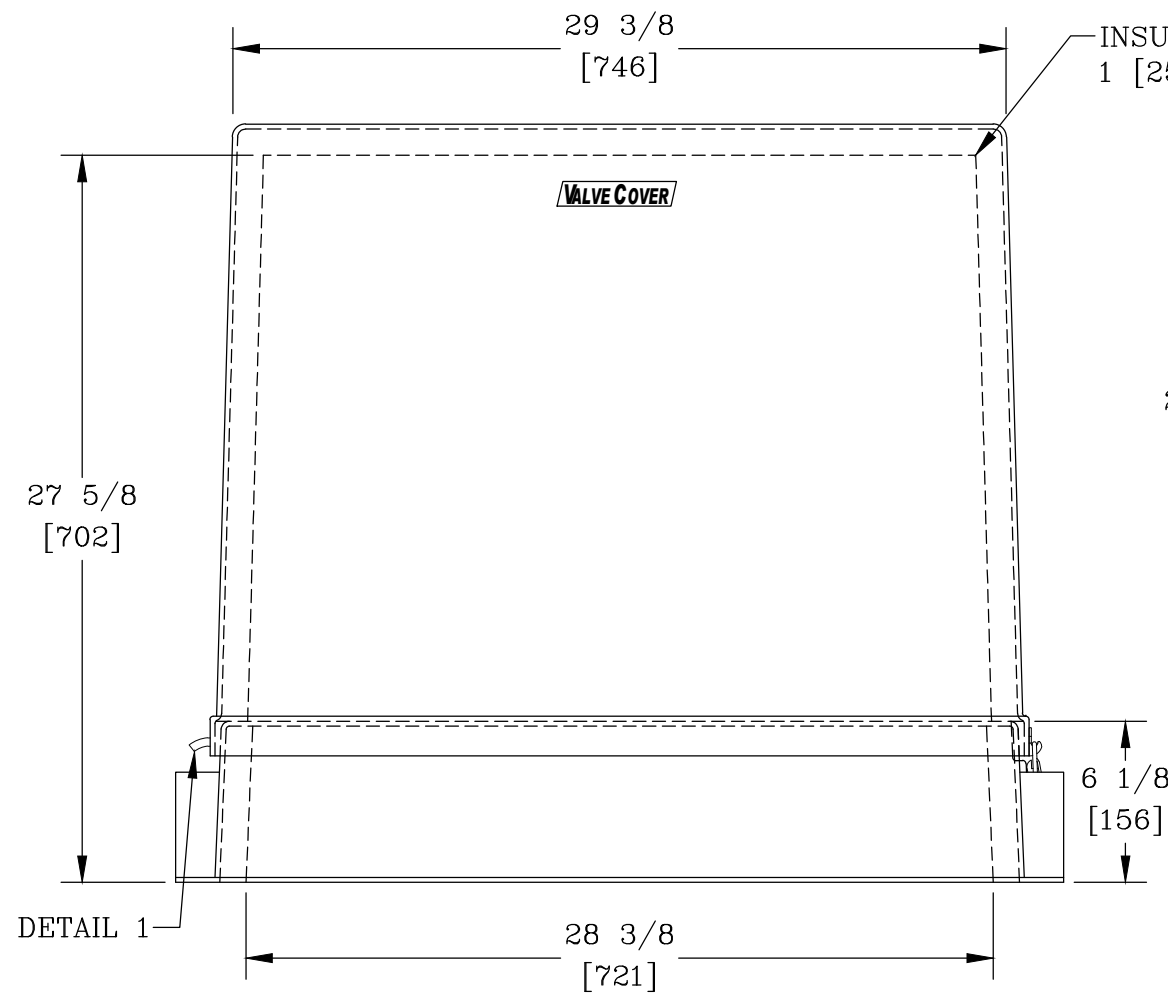
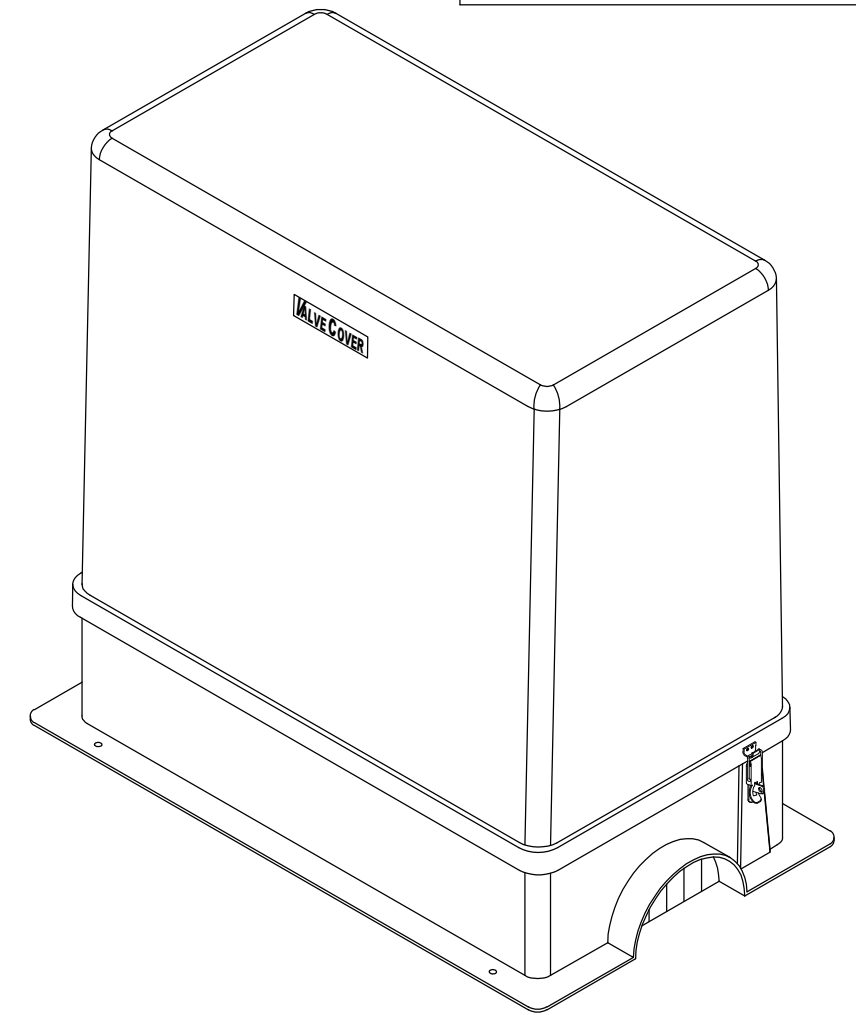


CUSTOMER APPROVAL

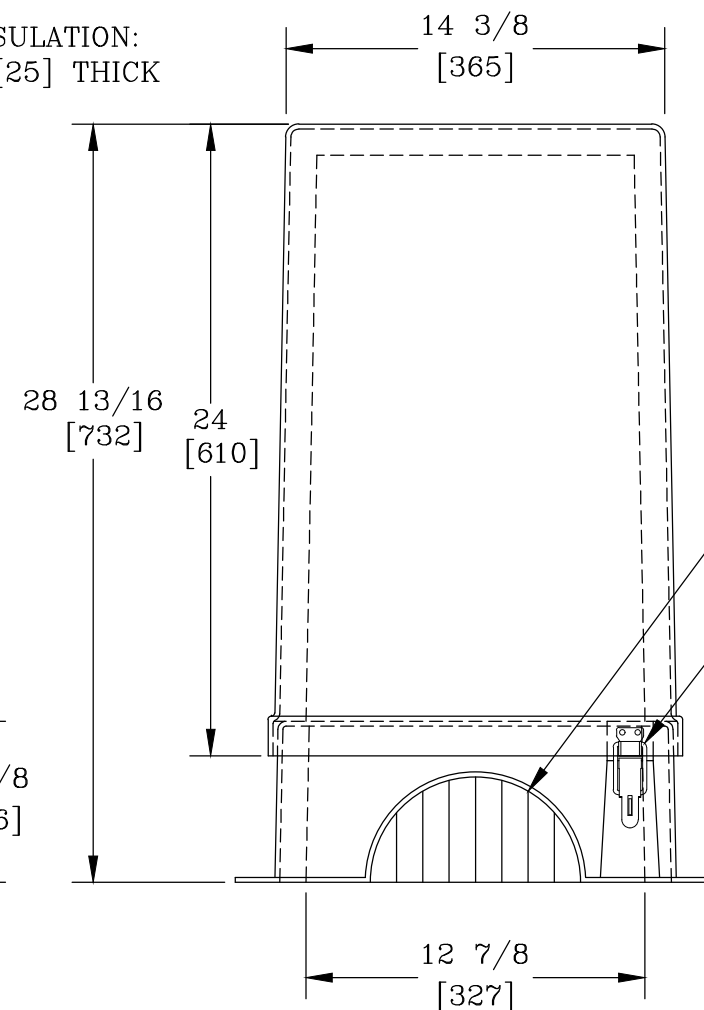
APPROVED BY: _____
DATE: _____



DETAIL 1
1 REQUIRED



INSULATION:
1 [25] THICK




DRAIN PORT
(1 CENTERED EACH END)

DRAW LATCH

NOTES:

- HEAT IS NOT PROVIDED WITH THIS ENCLOSURE.
- 1/4" X 2" HAMMER DRIVEN ANCHORS FOR MOUNTING THROUGH THE ANCHOR LIP ARE SUPPLIED WITH THE ENCLOSURE. (NOT SHOWN)
- STANDARD COLOR IS BEIGE. (OPTIONS AVAILABLE)
- FOR RECOMMENDED SLAB SIZE ADD 9" [229] TO THE ENCLOSURE EXTERIOR.

DETAIL 1
28 3/8 [721]

HOTBOX ENCLOSURES ARE NON-RETURNABLE. A SIGNED DRAWING MUST BE RETURNED AT THE TIME OF ORDER. DIMENSIONS ARE IN INCHES OR MILLIMETERS IN BRACKETS UNLESS OTHERWISE NOTED.						
DRN	BY	DATE	WEIGHT		3621 INDUSTRIAL PARK DR LENOIR CITY, TN 37771 800-346-3062 www.hot-box.com	
CHK			56# 25kg			
ENG			SCALE	DRAWING DESCRIPTION	LOC	
APR			1 1/2"=1'		HOT BOX® FIBERGLASS ENCLOSURE VC2T	LC
APR			SIZE			S
PROJECT NUMBER				B	REV	
SHEET 1 OF 1				DRAWING NUMBER		
				LC012026028		