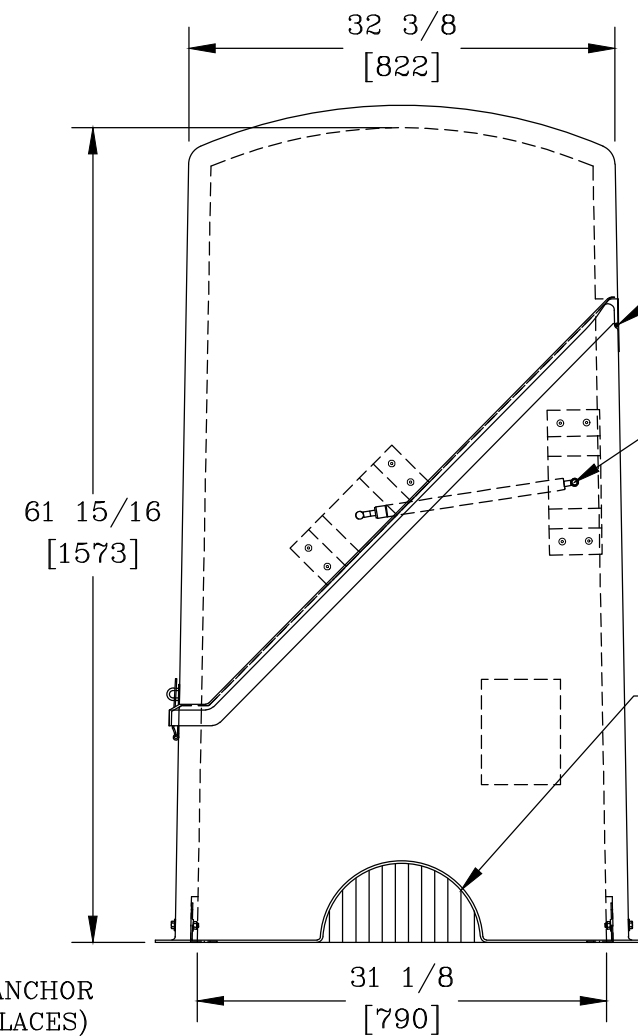


INSULATION:
1 1/2 [38] THICK




CONTINUOUS HINGE LOCATION

GAS SHOCK
2 PLACES
(ONE LOCKING)

NOTES:

1. HEAT IS NOT PROVIDED WITH THIS ENCLOSURE.
2. ENCLOSURE COLOR IS BEIGE.
3. FOR RECOMMENDED SLAB SIZE ADD 9" [229] TO THE ENCLOSURE EXTERIOR.

HOTBOX ENCLOSURES ARE NON-RETURNABLE. A SIGNED DRAWING MUST BE RETURNED AT THE TIME OF ORDER. DIMENSIONS ARE IN INCHES OR MILLIMETERS IN BRACKETS UNLESS OTHERWISE NOTED.				 3621 INDUSTRIAL PARK DR LENOIR CITY, TN 37771 800-346-3062 www.hot-box.com		LOC
DRN	BY	DATE	WEIGHT	DRAWING DESCRIPTION	HOT BOX® FIBERGLASS FLIPTOP ENCLOSURE BF4E	LC
CHK	JJP	12/10/19	265# 120kg			S
ENG			SCALE			REV
APR			NTS			A
APR			SIZE			12/19
PROJECT NUMBER				DRAWING NUMBER		
				SHEET 1 OF 1		LF029083062