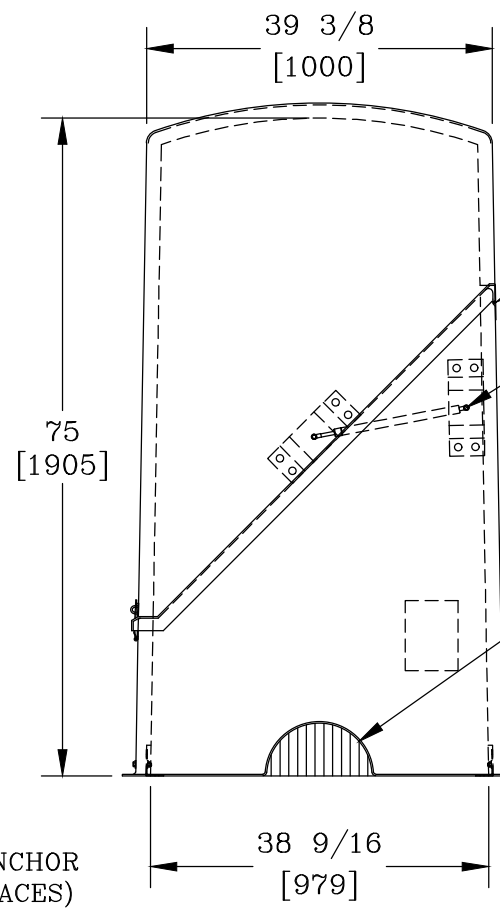


INSULATION:
1 1/2 [38] THICK




CONTINUOUS HINGE
LOCATION
GAS SHOCK
2 PLACES
(ONE LOCKING)

DRAIN PORT
(1 CENTERED
EACH END)

DOUBLE ANCHOR
PAD (4 PLACES)

NOTES:

- HEAT IS NOT PROVIDED WITH THIS ENCLOSURE.
- ENCLOSURE COLOR IS BEIGE.
- FOR RECOMMENDED SLAB SIZE ADD 9" [229] TO THE ENCLOSURE EXTERIOR.

HOTBOX ENCLOSURES ARE NON-RETURNABLE. A SIGNED DRAWING MUST BE RETURNED AT THE TIME OF ORDER. DIMENSIONS ARE IN INCHES OR MILLIMETERS IN BRACKETS UNLESS OTHERWISE NOTED.					
DRN	BY	DATE	WEIGHT	 3621 INDUSTRIAL PARK DR LENOIR CITY, TN 37771 800-346-3062 www.hot-box.com	LOC
CHK	<i>JJP</i>	12/11/19	417#		LC
ENG			189kg		S
APR			SCALE		REV
APR			NTS		A
DRAWING DESCRIPTION			HOT BOX®		
			FIBERGLASS FLIPTOP ENCLOSURE		
			BF8E		12/19
PROJECT NUMBER			DRAWING NUMBER		
			LF036115075		
SHEET 1 OF 1					