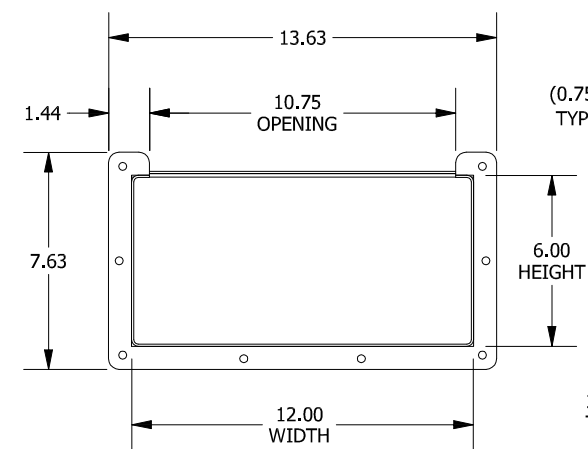
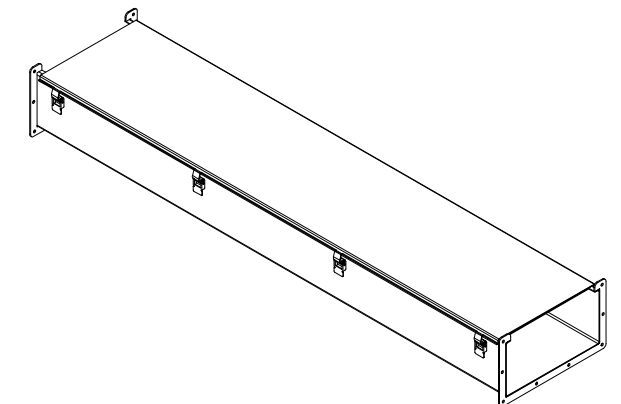
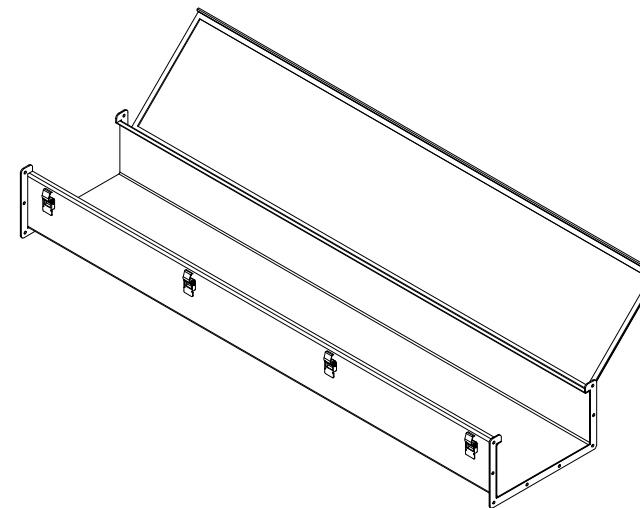
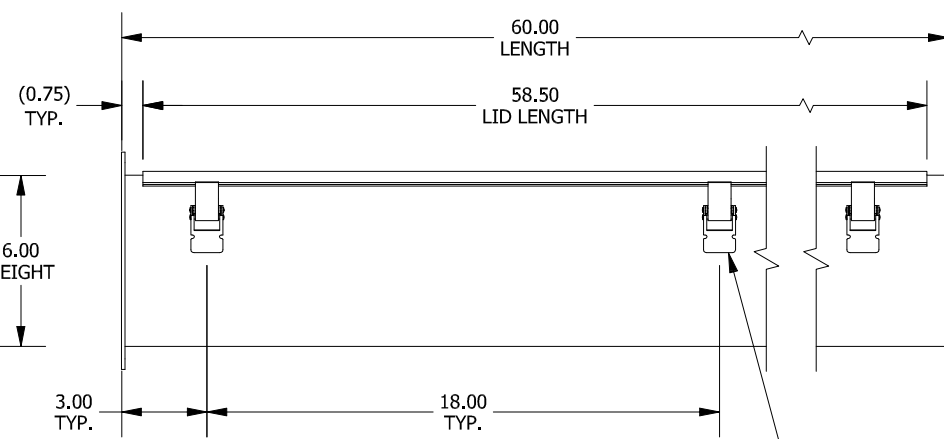


TOP VIEW

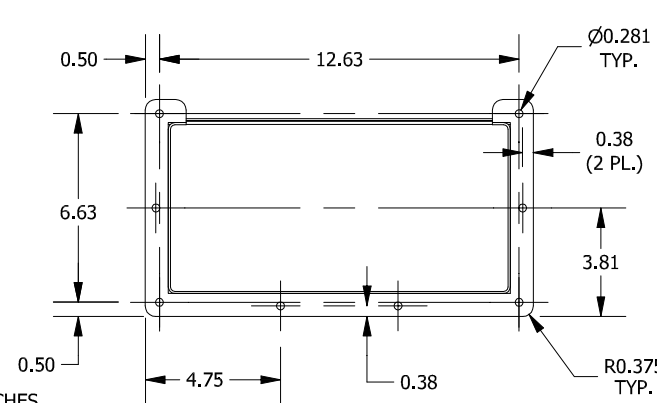


LEFT SIDE VIEW

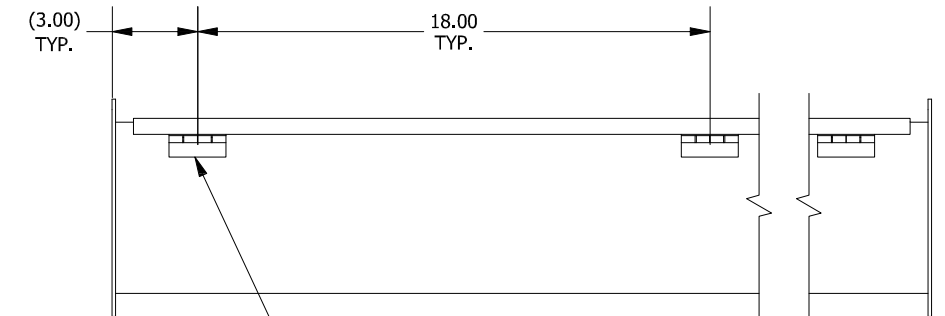


FRONT VIEW

QUICK RELEASE LATCHES SPOT WELDED TO TUB (4 PL.)

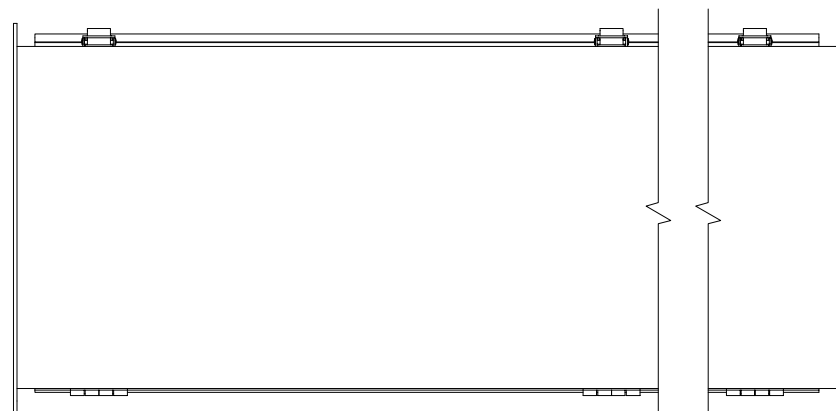


RIGHT SIDE VIEW



2" BUTT HINGES SPOT WELDED IN PLACE (4 PL.)

BACK VIEW



BOTTOM VIEW

PART#: LJW1265

(DATA SUBJECT TO CHANGE WITHOUT NOTICE)

THIS DRAWING IS PROPERTY OF HUBBELL INC. WIEGMANN  
ALL INFORMATION IS PROPRIETARY AND NOT TO BE DUPLICATED