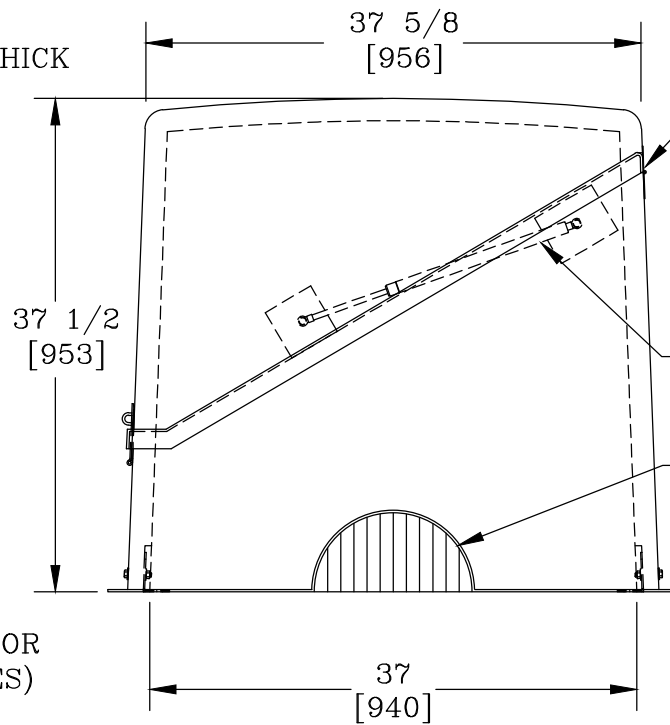


INSULATION:
1 1/2 [38] THICK



CONTINUOUS HINGE
LOCATION

GAS SHOCK
2 PLACES


R6 1/2 [165] DRAIN
PORT (1 CENTERED
EACH END)

LOCKING HASP
& STAPLE

DOUBLE ANCHOR
PAD (4 PLACES)

NOTES:

- HEAT IS NOT PROVIDED WITH THIS ENCLOSURE.
- STANDARD COLOR IS BEIGE (OPTIONS AVAILABLE)
- FOR RECOMMENDED SLAB SIZE ADD 9" [305] TO THE ENCLOSURE EXTERIOR.

HOTBOX ENCLOSURES ARE NON-RETURNABLE. A SIGNED DRAWING MUST BE RETURNED AT THE TIME OF ORDER. DIMENSIONS ARE IN INCHES OR MILLIMETERS IN BRACKETS UNLESS OTHERWISE NOTED.				 3621 INDUSTRIAL PARK DR LENOIR CITY, TN 37771 800-346-3062 www.hot-box.com		LOC
DRN	BY	DATE	WEIGHT	DRAWING DESCRIPTION	HOT BOX® FIBERGLASS FLIP TOP ENCLOSURE LB3000	LC
CHK			170# 77kg			S
ENG			SCALE			REV
APR			3/4"=1'			A
APR			SIZE			7/15
PROJECT NUMBER			DRAWING NUMBER			
111401			LL035045035			
SHEET 1 OF 1						