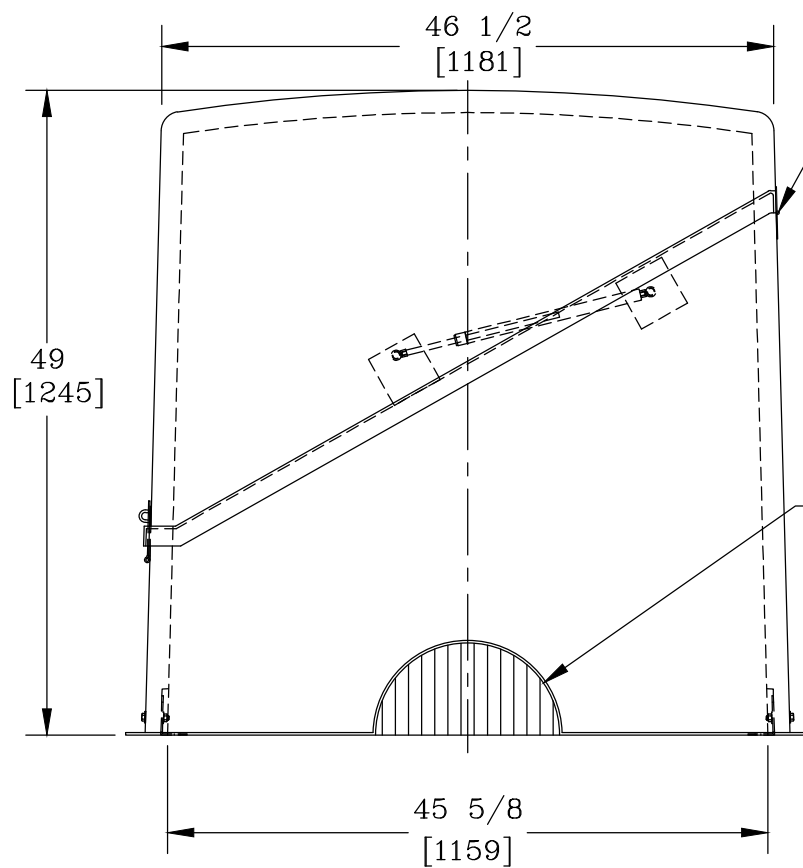
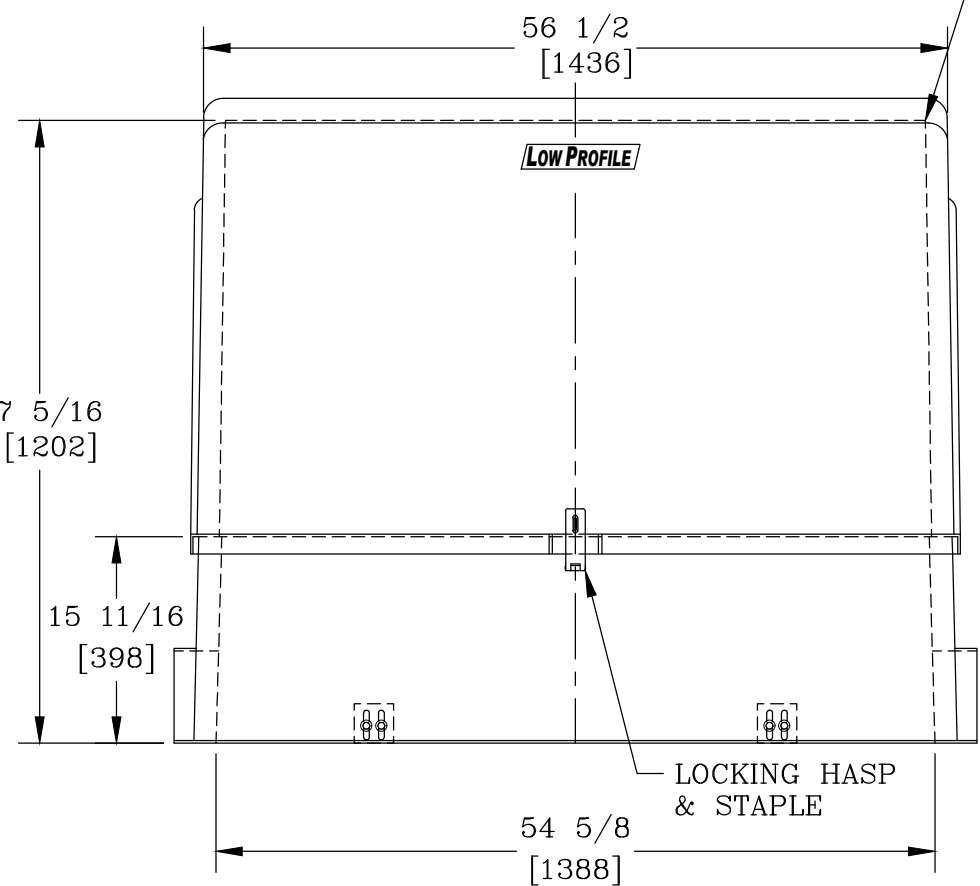


INSULATION:  
1 1/2 [38] THICK



CONTINUOUS HINGE LOCATION

R7 [178] DRAIN PORT  
(1 CENTERED EACH END)

**NOTES:**

1. HEAT IS NOT PROVIDED WITH THIS ENCLOSURE.
2. ENCLOSURE COLOR IS BEIGE.
3. FOR RECOMMENDED SLAB SIZE ADD 12" [305] TO THE ENCLOSURE INTERIOR.
4. INTERNAL BRACKETS AND CONCRETE ANCHORS ARE SUPPLIED WITH THE ENCLOSURE.

HOTBOX ENCLOSURES ARE NON-RETURNABLE. A SIGNED DRAWING MUST BE RETURNED AT THE TIME OF ORDER. DIMENSIONS ARE IN INCHES OR MILLIMETERS IN BRACKETS UNLESS OTHERWISE NOTED.				
DRN	BY	DATE	WEIGHT 251# 114kg	LOC LC S
CHK	JPH	7/7/15	SCALE 3/4"=1'	REV A
ENG			SIZE B	7/15
APR			DRAWING DESCRIPTION <b>HOT BOX®</b> FIBERGLASS FLIP TOP ENCLOSURE LB4000	
PROJECT NUMBER 111401			DRAWING NUMBER LL044053044	
SHEET 1 OF 1				



3621 INDUSTRIAL PARK DR  
LENOIR CITY, TN 37771  
800-346-3062  
www.hot-box.com