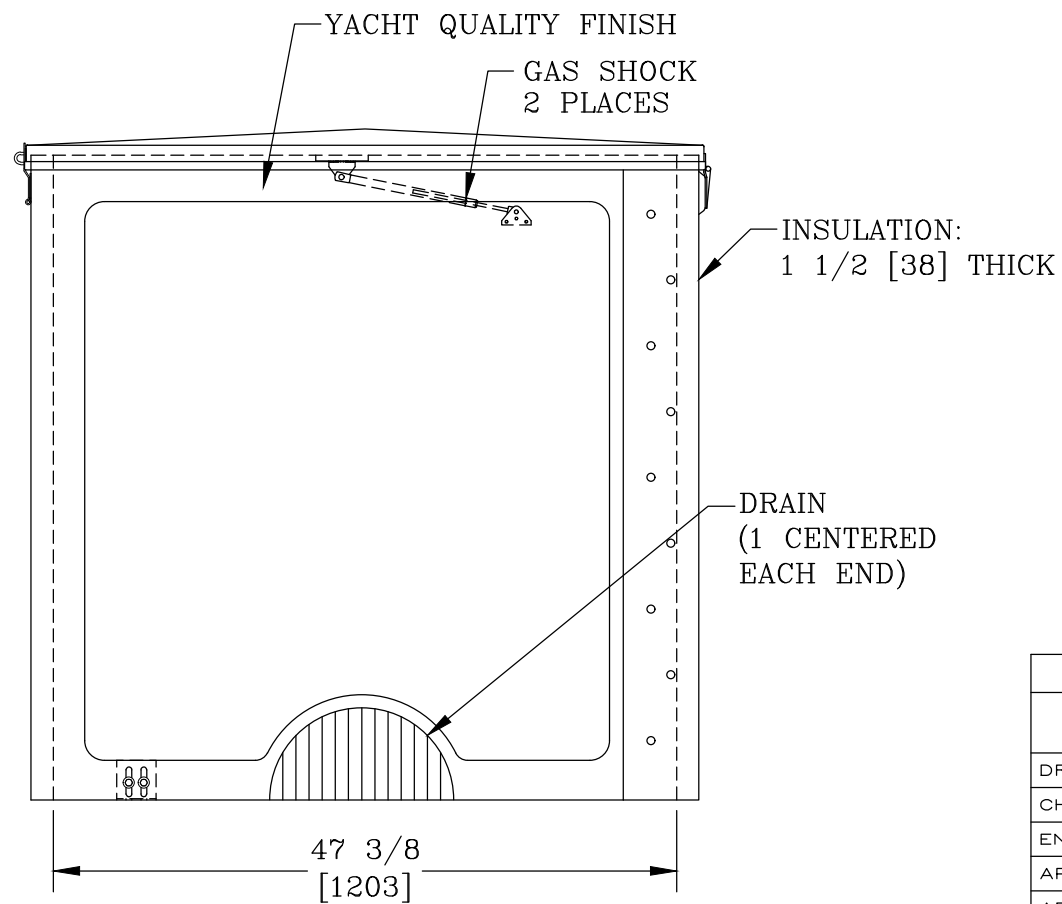
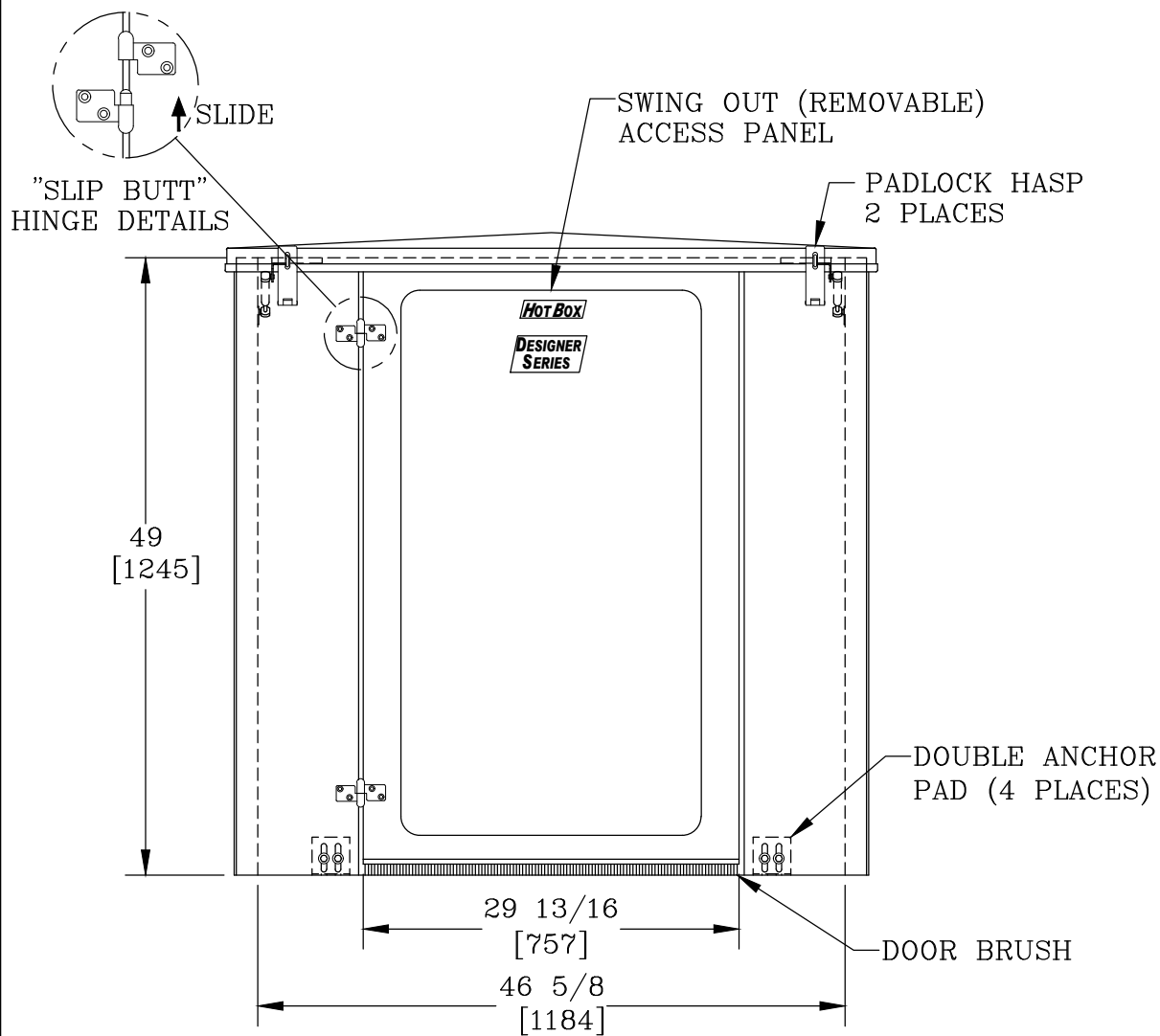
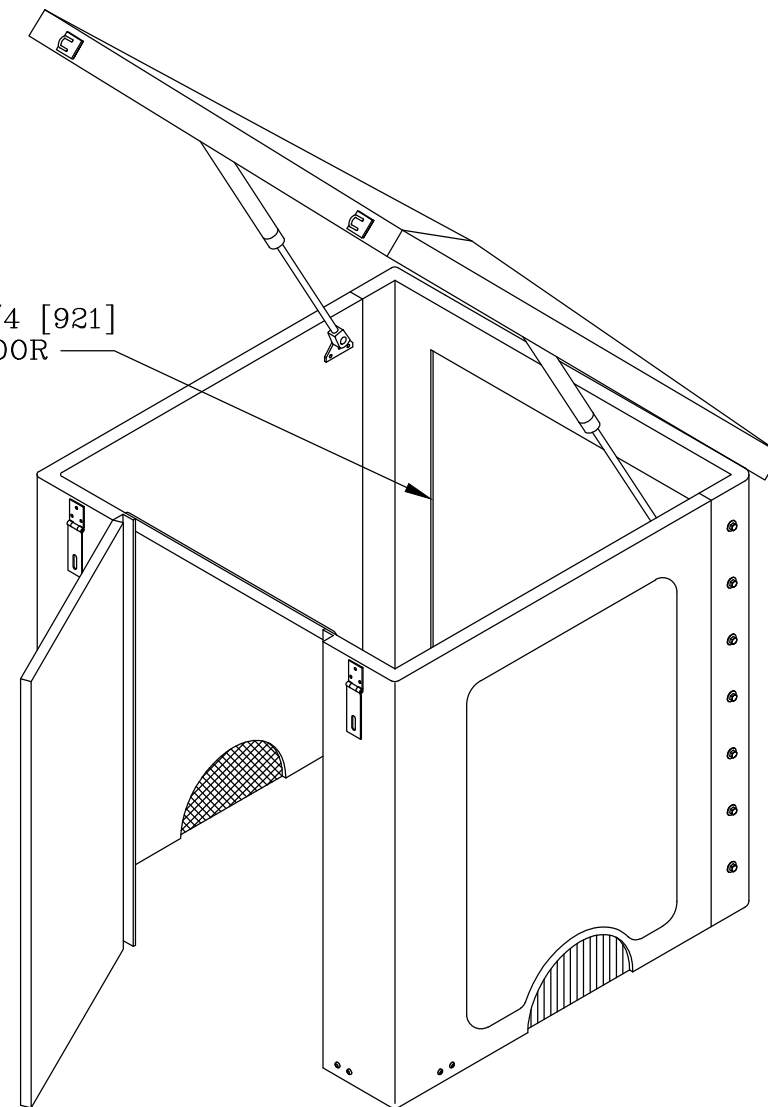


CUSTOMER APPROVAL
 APPROVED BY: _____
 DATE: _____

35 3/4 [908] X 36 1/4 [921]
 REMOVABLE ACCESS DOOR



NOTES:

- HEAT IS NOT PROVIDED WITH THIS ENCLOSURE.
- STANDARD COLOR IS BEIGE (OPTIONS AVAILABLE)
- FOR RECOMMENDED SLAB SIZE ADD 12" [305] TO THE ENCLOSURE INTERIOR.

HOTBOX ENCLOSURES ARE NON-RETURNABLE. A SIGNED DRAWING MUST BE RETURNED AT THE TIME OF ORDER. DIMENSIONS ARE IN INCHES OR MILLIMETERS IN BRACKETS UNLESS OTHERWISE NOTED.				
DRN	BY	DATE	WEIGHT	LOC
	JPH	6/30/15	287# 130kg	LC
CHK			SCALE	S
ENG			3/4"=1'	REV
APR	MEF	6/30/15	SIZE	A
APR			B	6/15
PROJECT NUMBER			DRAWING NUMBER	
111401			LM047047049	
SHEET 1 OF 1				

HUBBELL 3621 INDUSTRIAL PARK DR
 LENOIR CITY, TN 37771
 800-346-3062
 www.hot-box.com

DRAWING DESCRIPTION
HOT BOX®
 FIBERGLASS ENCLOSURE
 LB6FEM