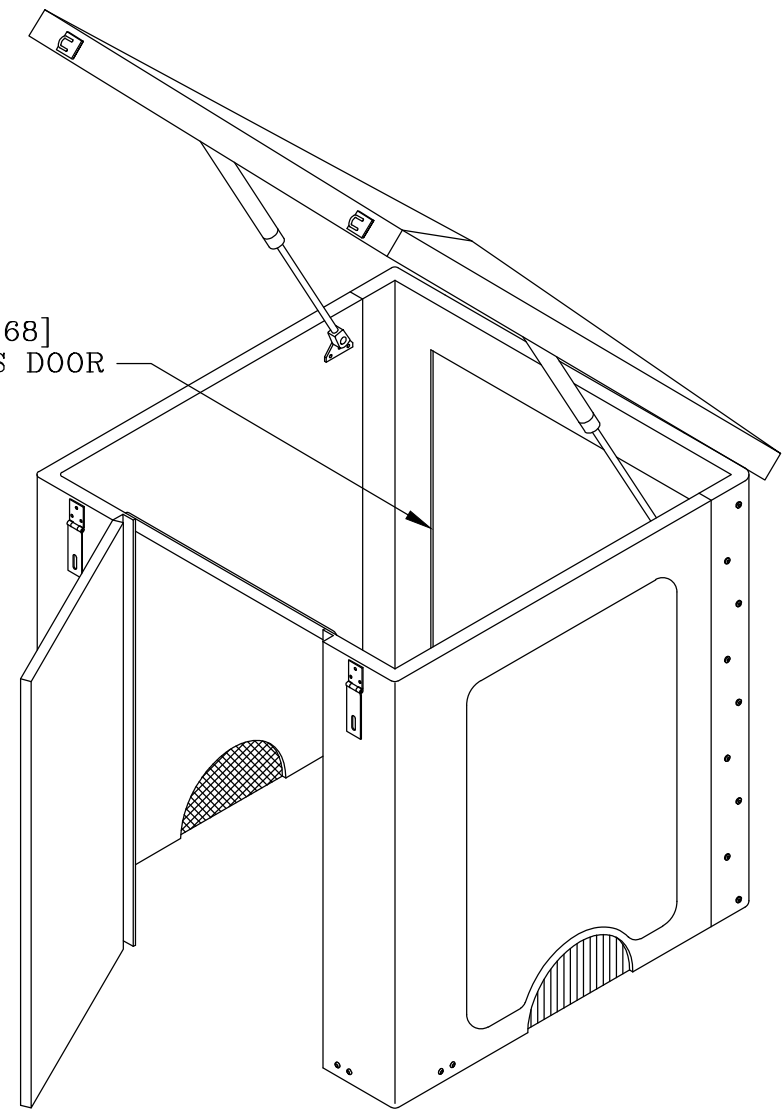
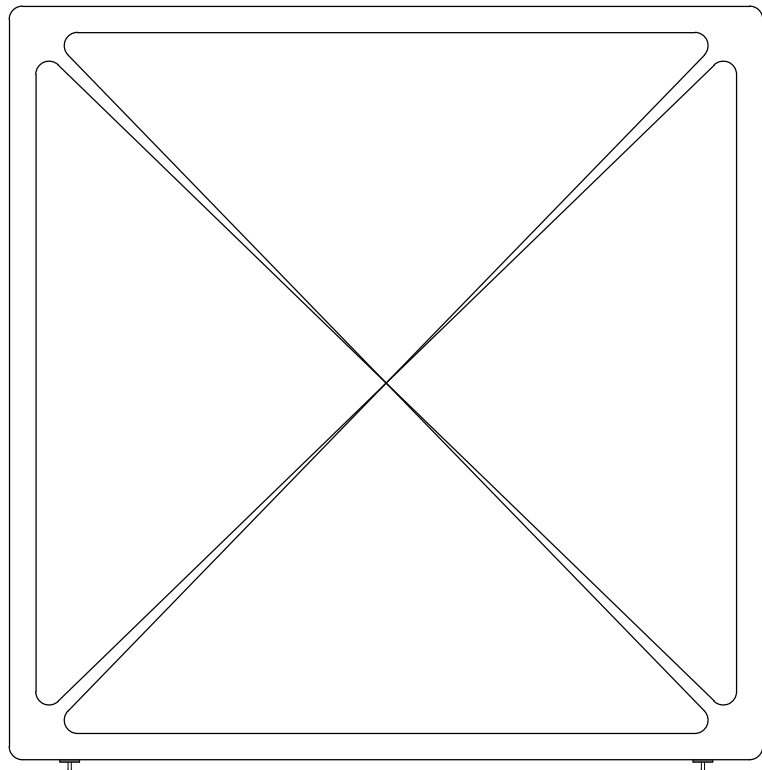
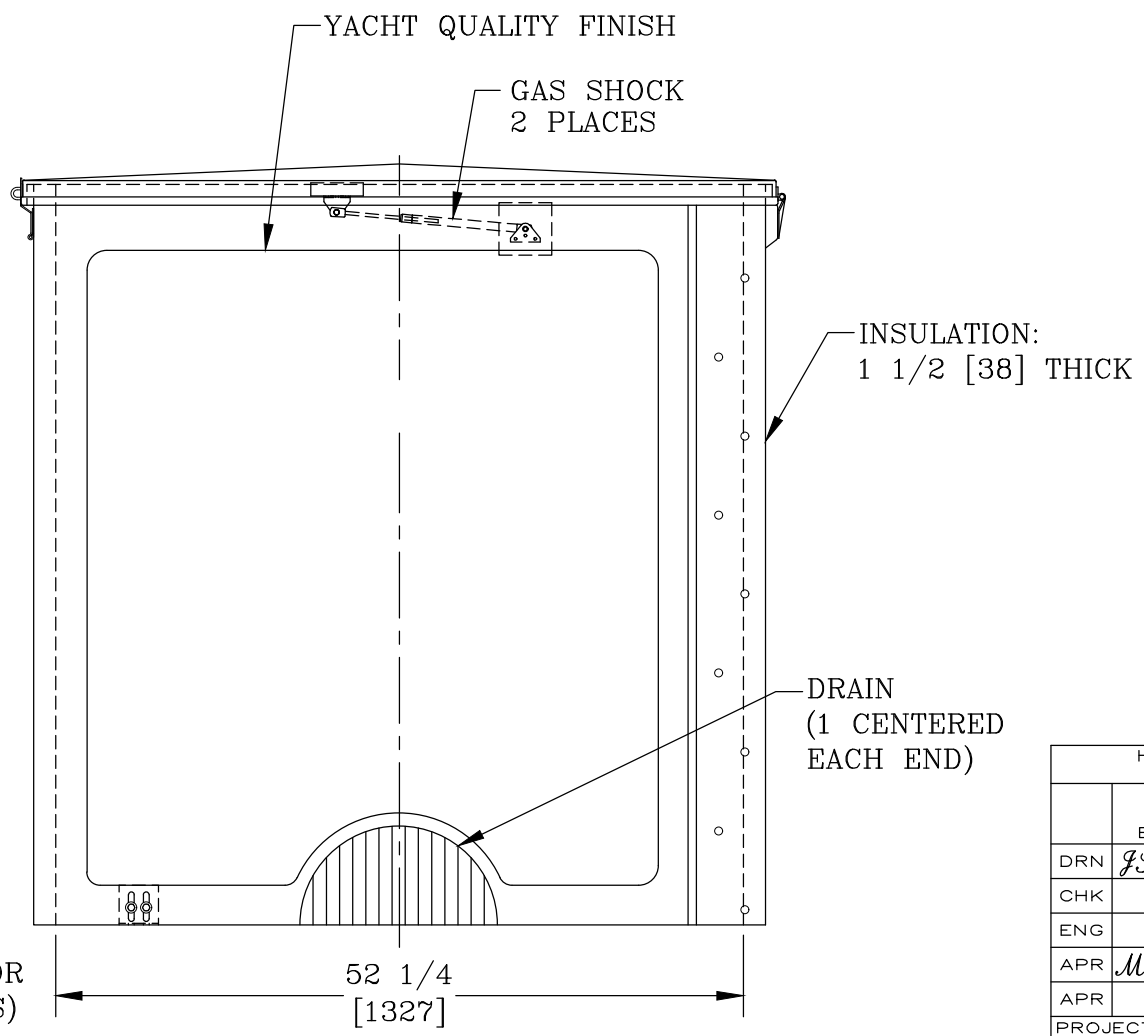
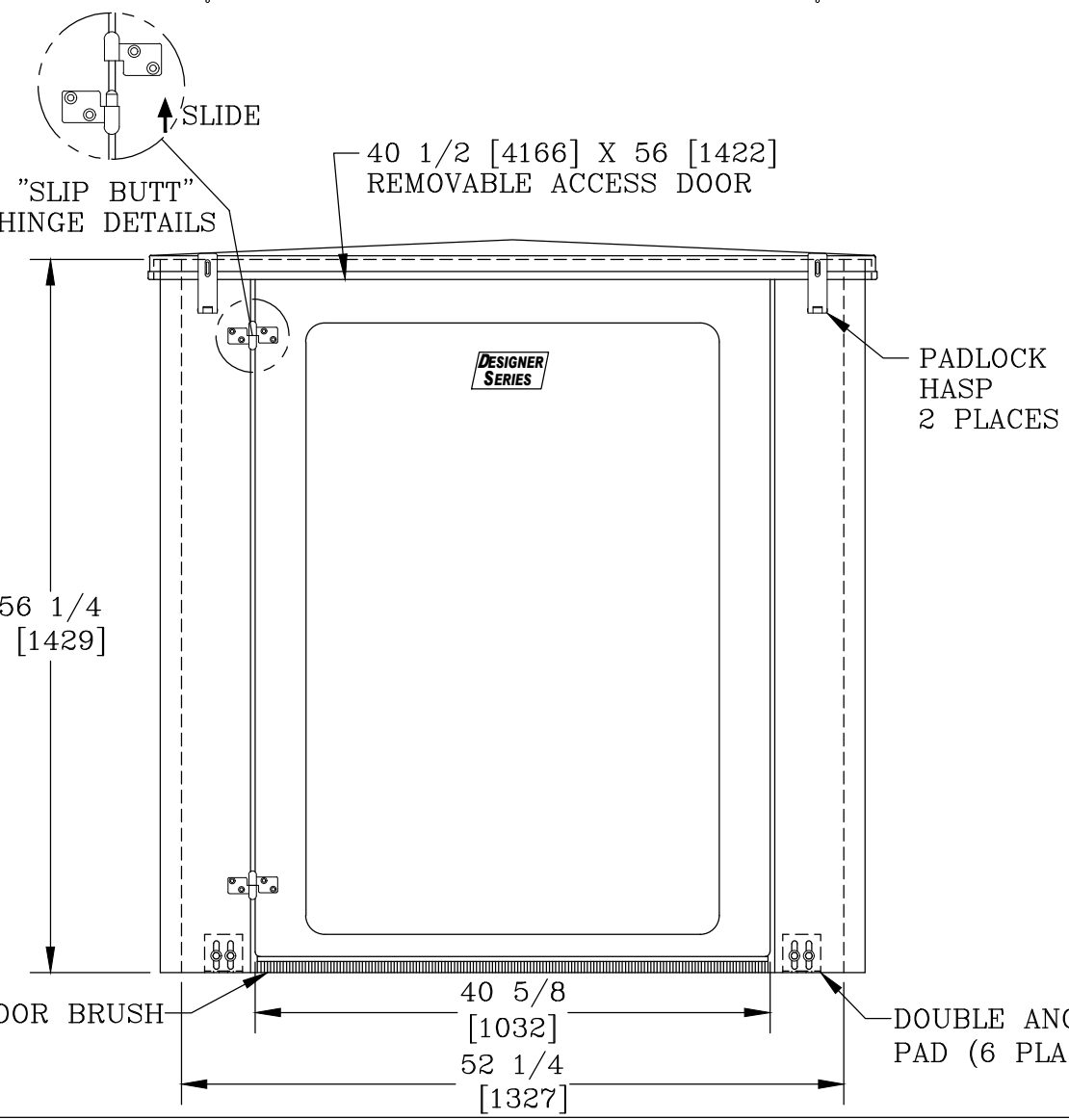


CUSTOMER APPROVAL  
 APPROVED BY: \_\_\_\_\_  
 DATE: \_\_\_\_\_




41 [1041] X 46 [1168]  
 REMOVABLE ACCESS DOOR



- NOTES:
- HEAT IS NOT PROVIDED WITH THIS ENCLOSURE.
  - STANDARD COLOR IS BEIGE (OPTIONS AVAILABLE)
  - FOR RECOMMENDED SLAB SIZE ADD 12" [305] TO THE ENCLOSURE INTERIOR.

HOTBOX ENCLOSURES ARE NON-RETURNABLE. A SIGNED DRAWING MUST BE RETURNED AT THE TIME OF ORDER. DIMENSIONS ARE IN INCHES OR MILLIMETERS IN BRACKETS UNLESS OTHERWISE NOTED.

DRN	BY	DATE	WEIGHT	 3621 INDUSTRIAL PARK DR LENOIR CITY, TN 37771 800-346-3062 www.hot-box.com	LOC
CHK	<i>JPH</i>	6/30/15	352#		LC
ENG			160kg		S
APR	<i>MEF</i>	6/30/15	SCALE		REV
APR			3/4"=1'		A
PROJECT NUMBER			SIZE	HOT BOX® FIBERGLASS ENCLOSURE LB8FEM	6/15
111401			B		
SHEET 1 OF 1				DRAWING NUMBER	
				LM053053056	