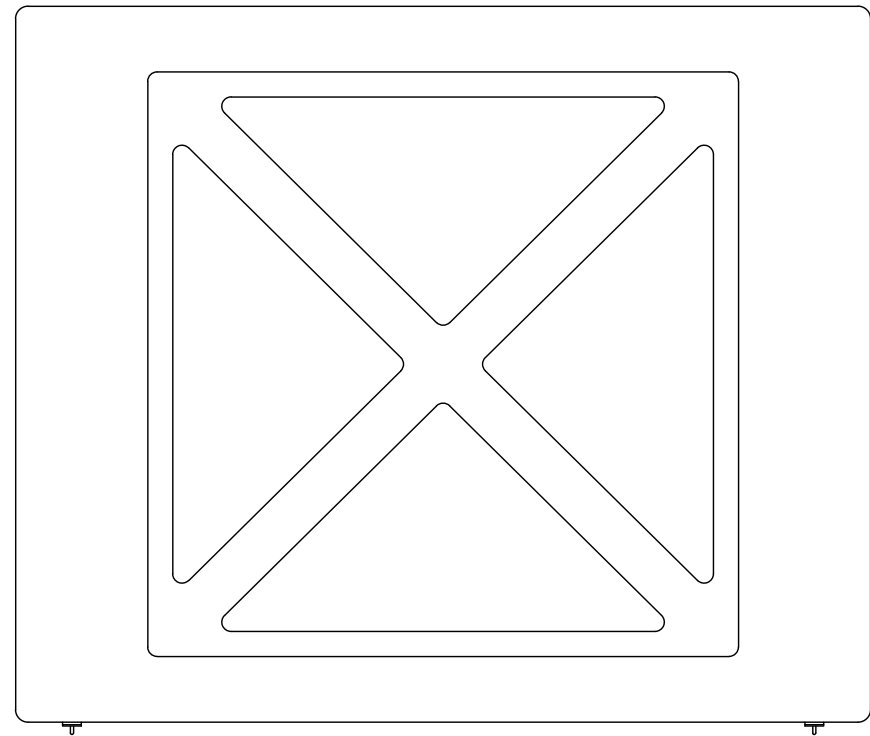
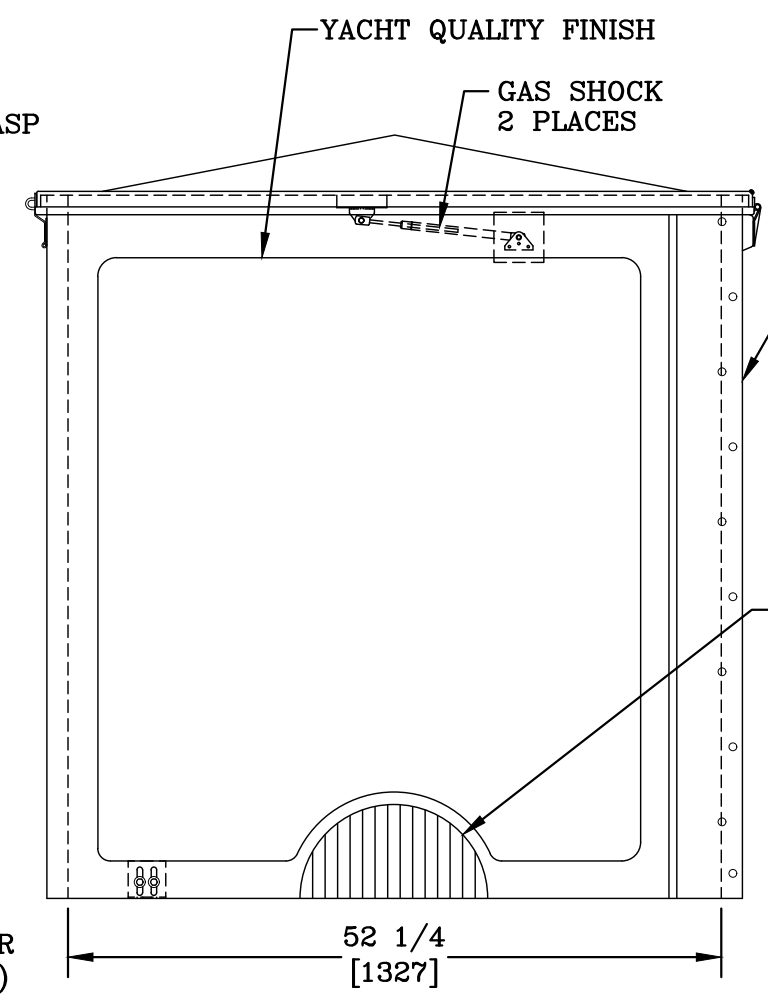
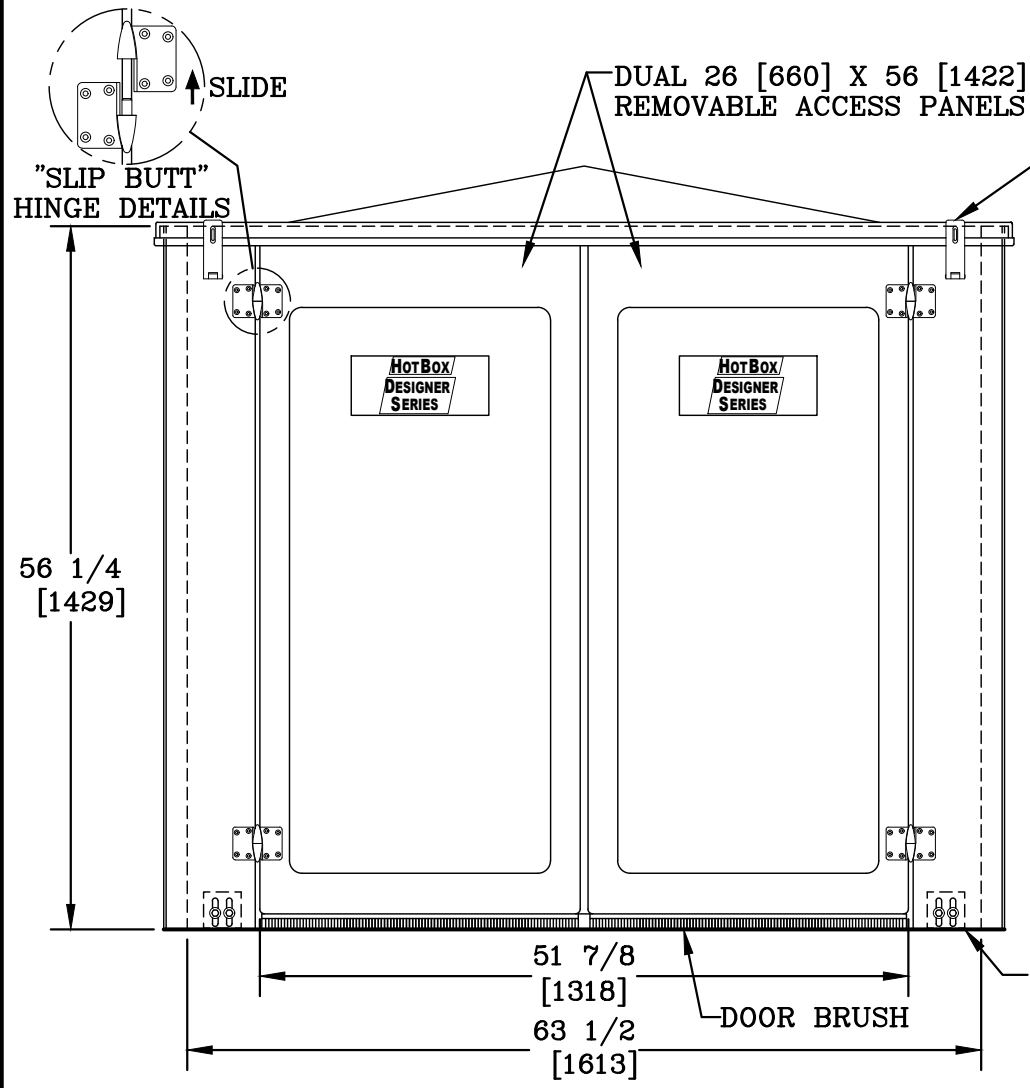
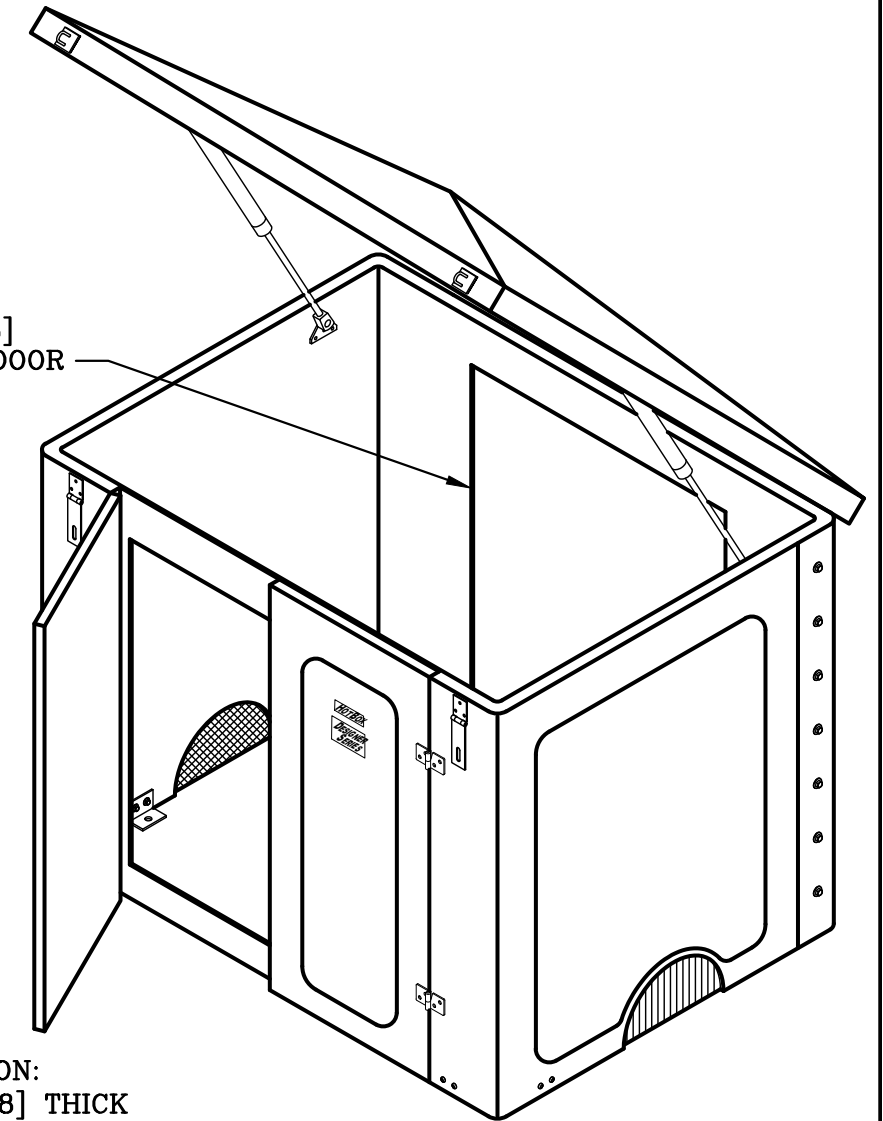


CUSTOMER APPROVAL
 APPROVED BY: _____
 DATE: _____



41 [1041] X 46 [1168]
 REMOVABLE ACCESS DOOR



NOTES:

1. HEAT IS NOT PROVIDED WITH THIS ENCLOSURE.
2. STANDARD COLOR IS BEIGE (OPTIONS AVAILABLE)
3. FOR RECOMMENDED SLAB SIZE ADD 12" [305] TO THE ENCLOSURE INTERIOR.

DOUBLE ANCHOR PAD (6 PLACES)

DOOR BRUSH

DIMENSIONS ARE IN INCHES OR MILLIMETERS IN BRACKETS UNLESS OTHERWISE NOTED.					3621 INDUSTRIAL PARK DR LENOIR CITY, TN 37771 800-346-3062 www.hot-box.com	LOC
BY	DATE	WEIGHT	LC			
DRN	JPL 6/30/15	389# 177kg	S			
CHK		SCALE	REV			
ENG		3/4"=1'	A			
APR	MSF 6/30/15	SIZE	6/15			
APR		B				
PROJECT NUMBER 111401				DRAWING DESCRIPTION HOT BOX® FIBERGLASS ENCLOSURE LB10FEM		
SHEET 1 OF 1				DRAWING NUMBER LM054062056		