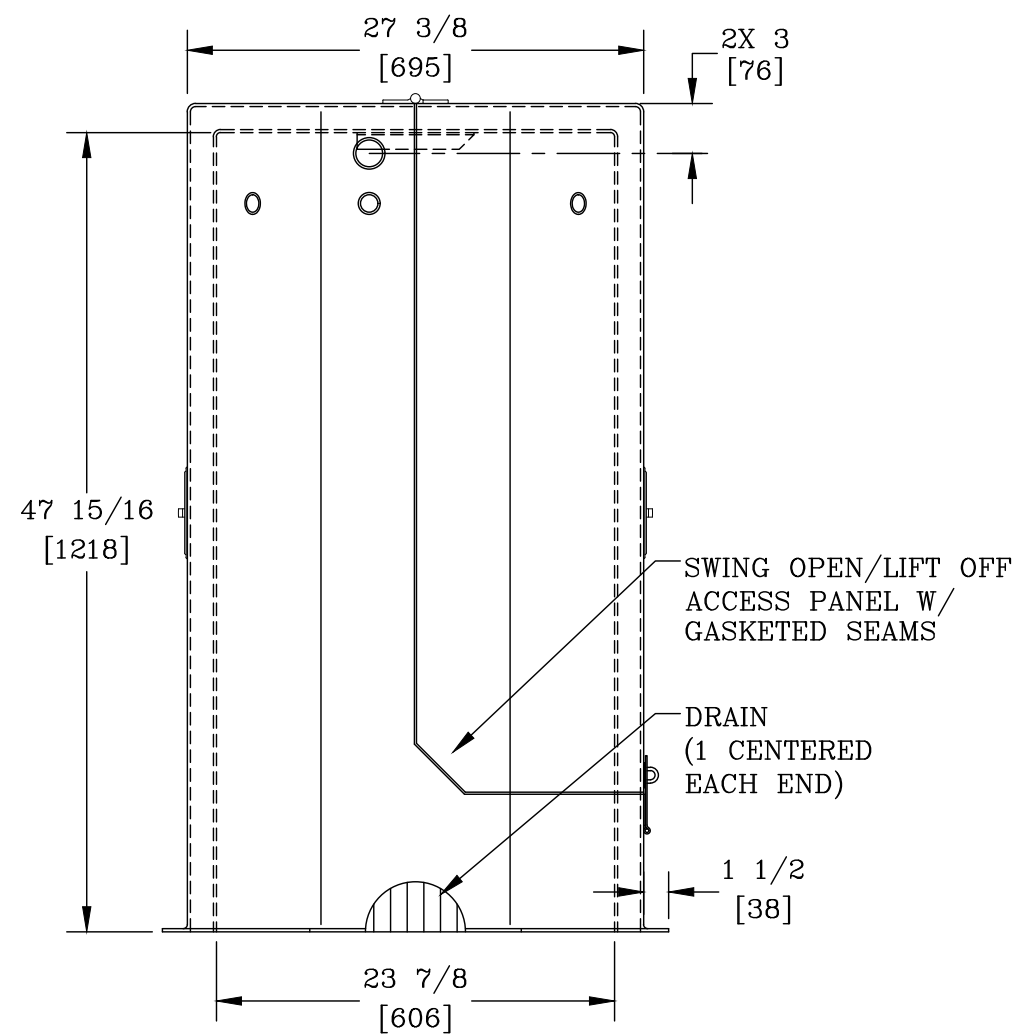


30 3/8
[772]



27 3/8
[695]

2X 3
[76]

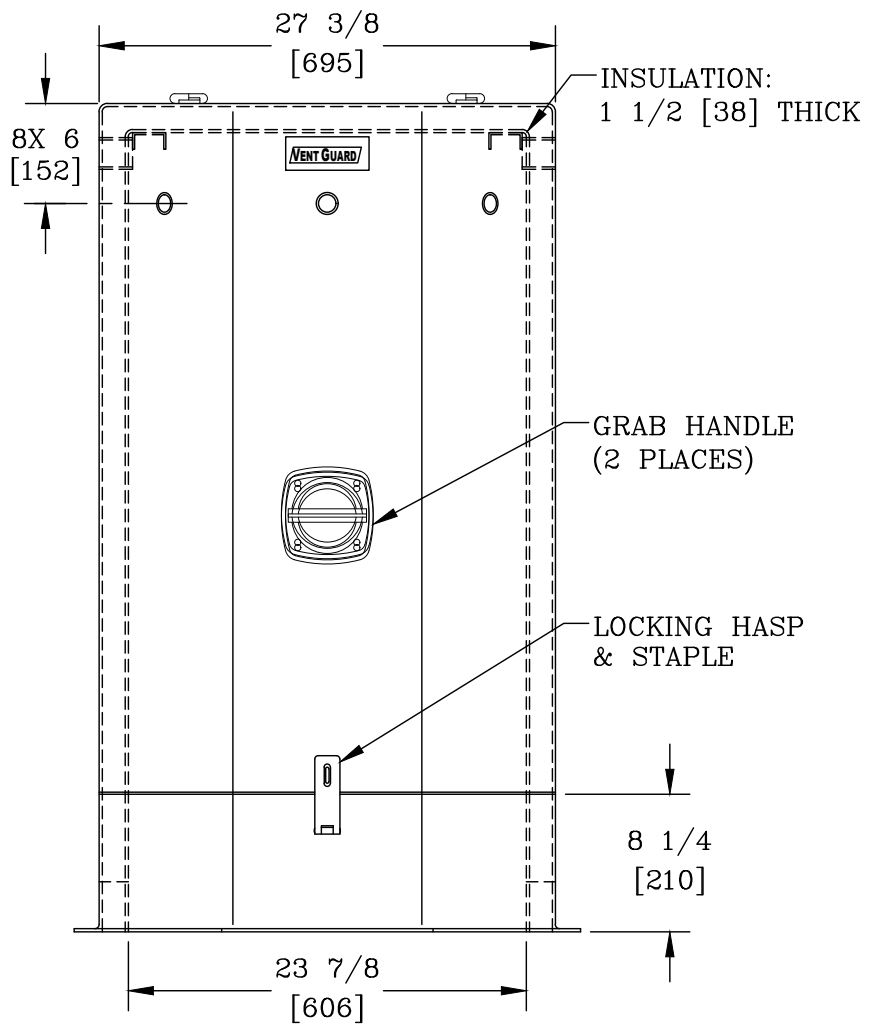
47 15/16
[1218]

SWING OPEN/LIFT OFF
ACCESS PANEL W/
GASKETED SEAMS

DRAIN
(1 CENTERED
EACH END)

1 1/2
[38]

23 7/8
[606]



27 3/8
[695]

8X 6
[152]

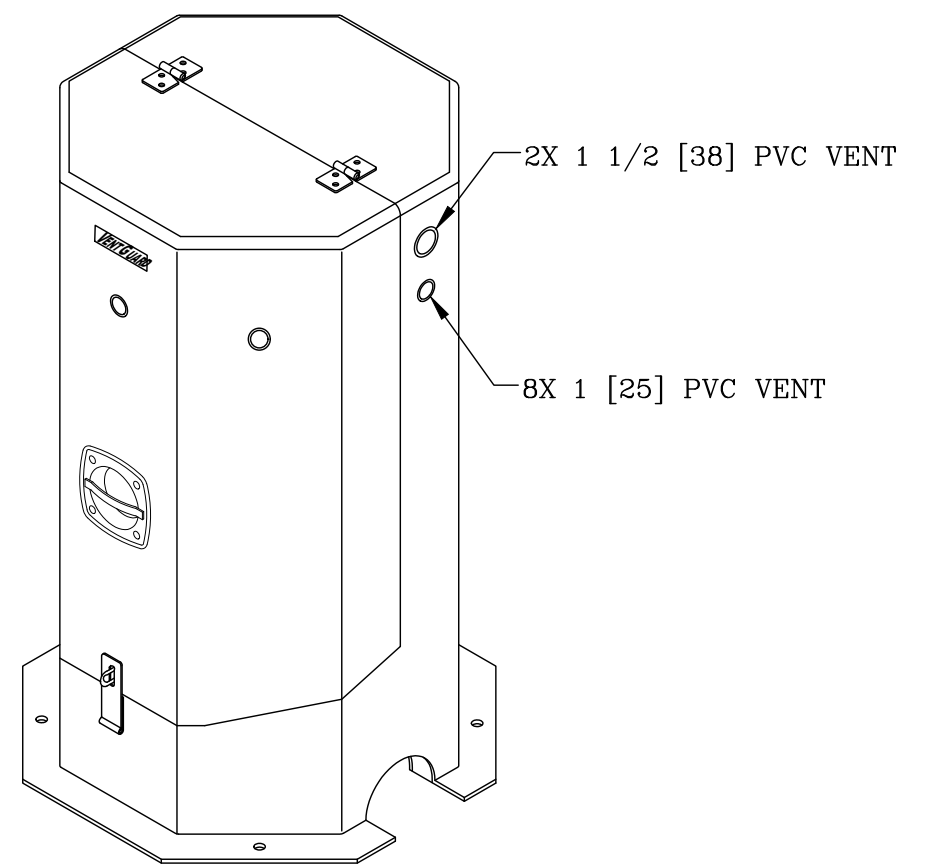
INSULATION:
1 1/2 [38] THICK

GRAB HANDLE
(2 PLACES)

LOCKING HASP
& STAPLE

8 1/4
[210]

23 7/8
[606]




2X 1 1/2 [38] PVC VENT

8X 1 [25] PVC VENT

NOTES:

1. THIS ENCLOSURE DOES NOT INCLUDE HEAT.
2. ENCLOSURE COLOR IS BEIGE.
3. FOR RECOMMENDED SLAB SIZE ADD 9" [229] TO THE ENCLOSURE EXTERIOR.
4. INTERIOR DIMENSIONS ARE NOMINAL.

DIMENSIONS ARE IN INCHES OR MILLIMETERS IN BRACKETS UNLESS OTHERWISE NOTED.					
DRN	BY	DATE	WEIGHT	 3621 INDUSTRIAL PARK DR LENOIR CITY, TN 37771 800-346-3062 www.hot-box.com	LOC
CHK			108# 49kg		LC
ENG			SCALE	DRAWING DESCRIPTION HOT BOX® FIBERGLASS AIR VALVE ENCLOSURE AVG2448	REV
APR			1"=1'		C
APR			SIZE		4/15
PROJECT NUMBER					DRAWING NUMBER
091149					LV024024048
SHEET 1 OF 1					