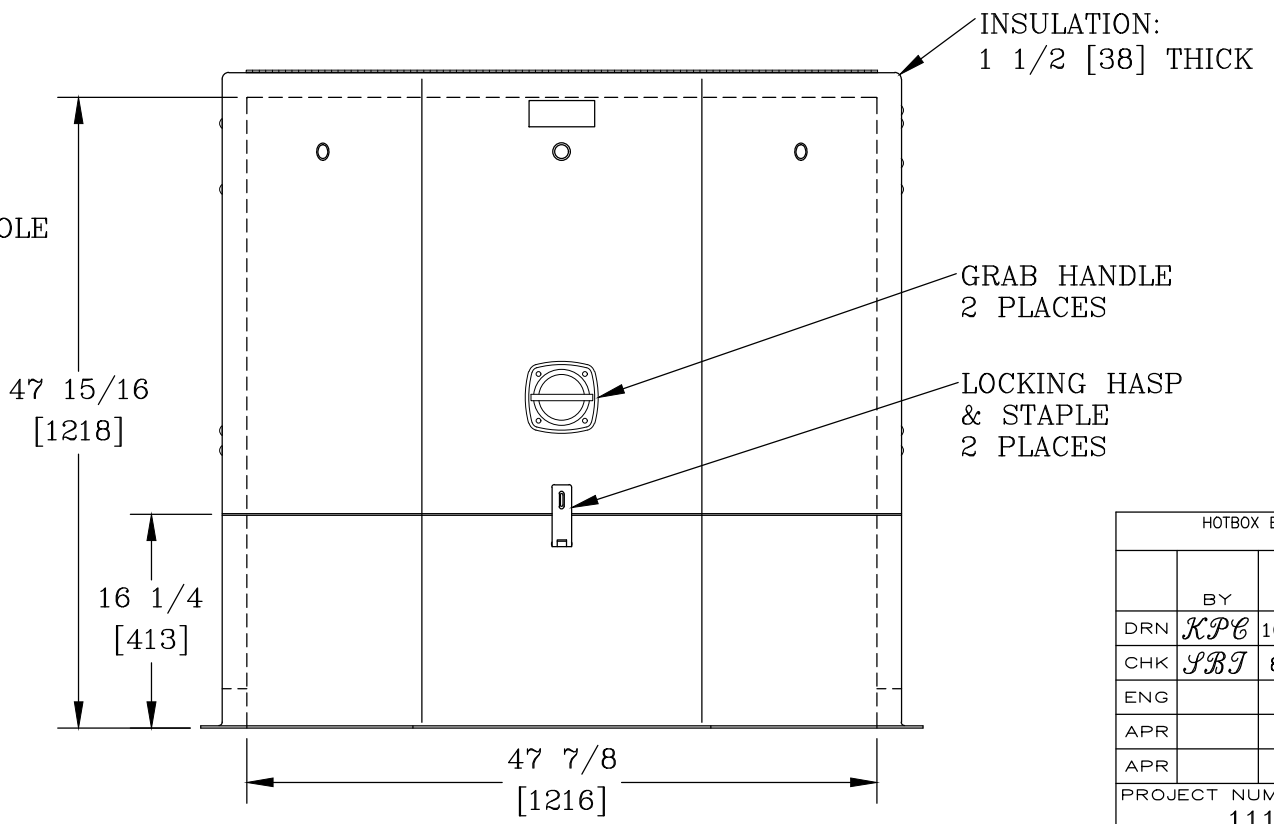
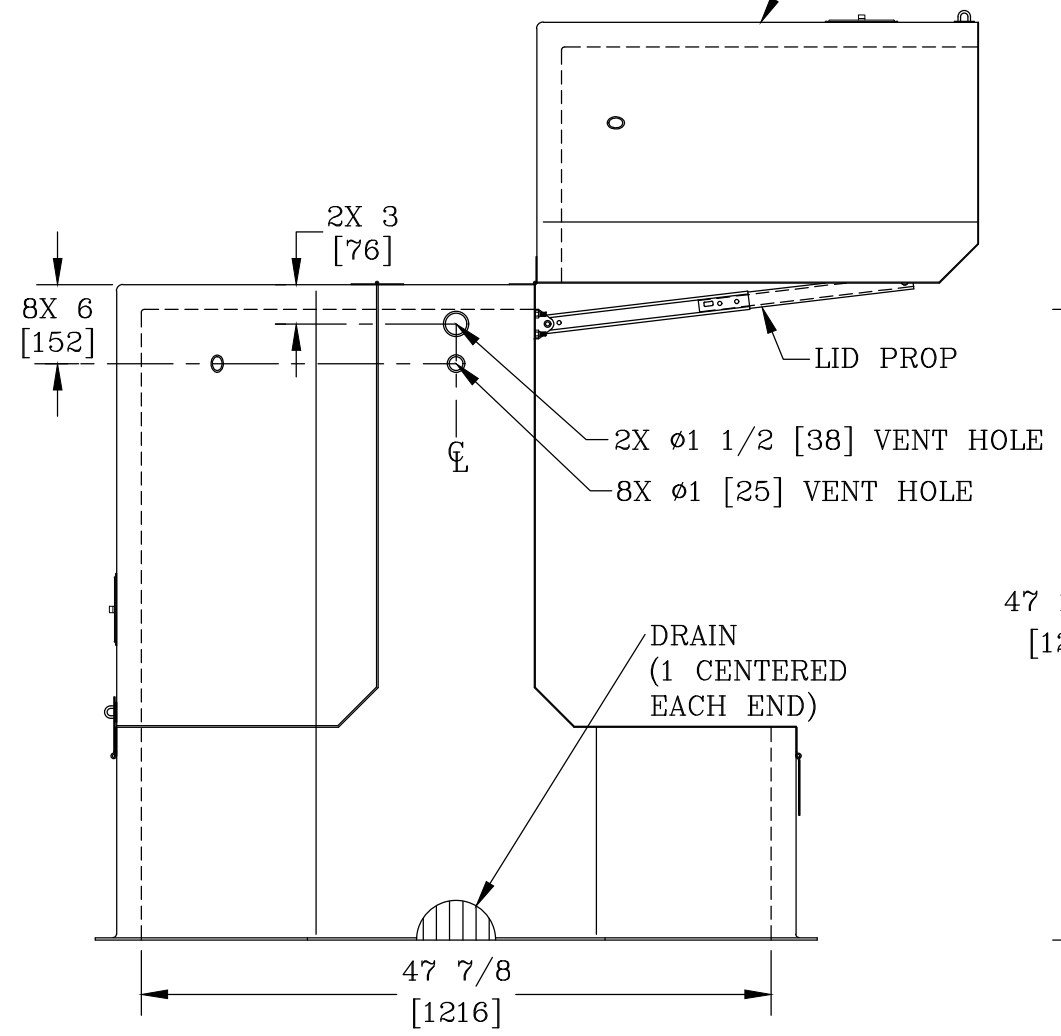



SWING OPEN ACCESS
PANEL (FRONT & REAR)



NOTES:

1. THIS ENCLOSURE DOES NOT INCLUDE HEAT.
2. STANDARD COLOR IS BEIGE (OPTIONS AVAILABLE).
3. FOR RECOMMENDED SLAB SIZE ADD 9" [229] TO THE ENCLOSURE EXTERIOR.
4. INTERIOR DIMENSIONS ARE NOMINAL.

HOTBOX ENCLOSURES ARE NON-RETURNABLE. A SIGNED DRAWING MUST BE RETURNED AT THE TIME OF ORDER. DIMENSIONS ARE IN INCHES OR MILLIMETERS IN BRACKETS UNLESS OTHERWISE NOTED.				 3621 INDUSTRIAL PARK DR LENOIR CITY, TN 37771 800-346-3062 www.hot-box.com	LOC
DRN	BY	DATE	WEIGHT		LC
CHK	ENG	APR	APR	260# 118kg	S
				SCALE	REV
				3/4"=1'	B
				SIZE	2/19
				B	
PROJECT NUMBER 111401				DRAWING DESCRIPTION HOT BOX® FIBERGLASS AIR VALVE ENCLOSURE AVG4848	
SHEET 1 OF 1				DRAWING NUMBER LV048048048	