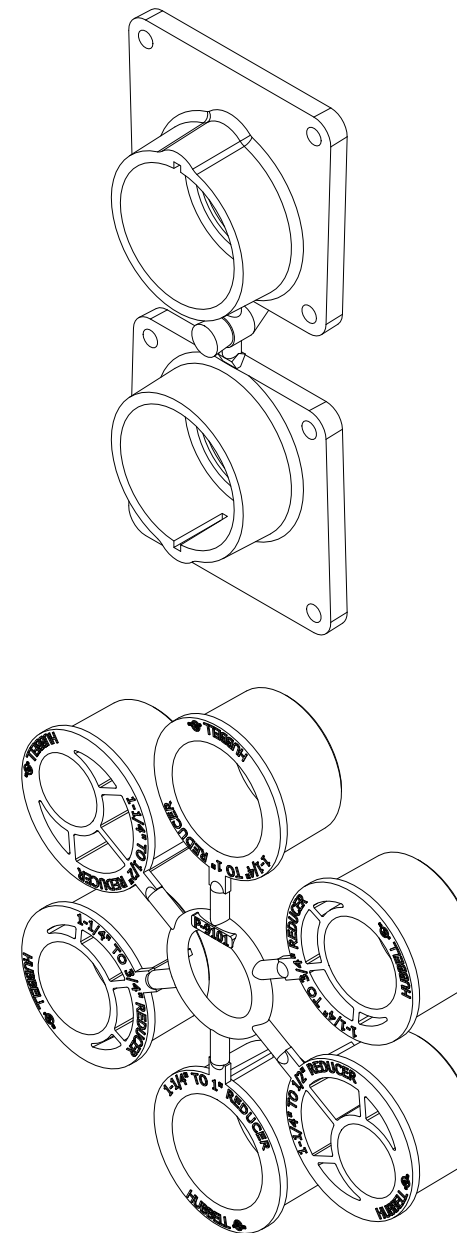
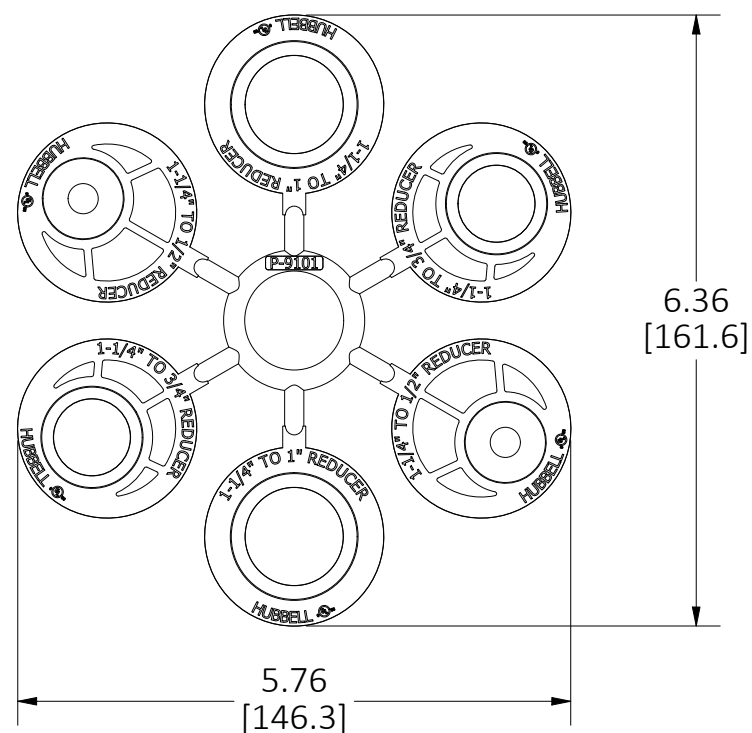
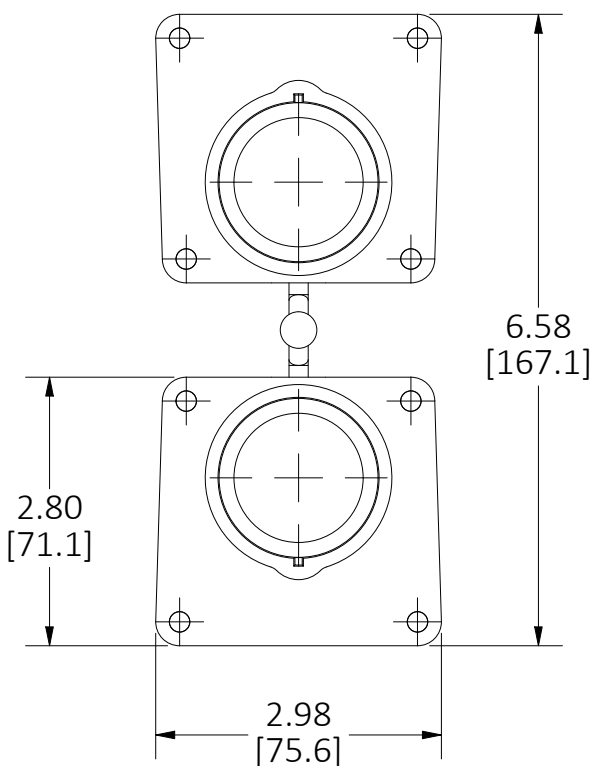
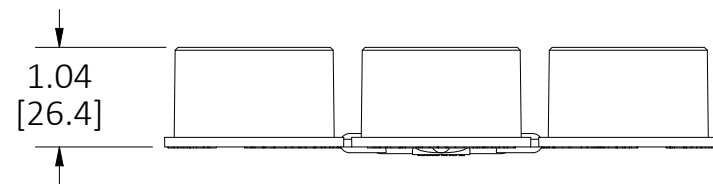
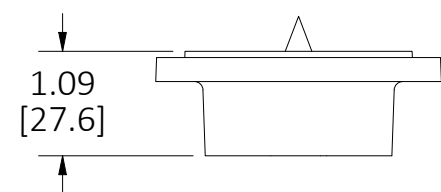


M-14135

1



LIST OF PARTS

DESCRIPTION	MATERIAL	FINISH
HUBS	PVC	GRAY
REDUCERS	PVC	GRAY
FASTENERS	STEEL	ZINC

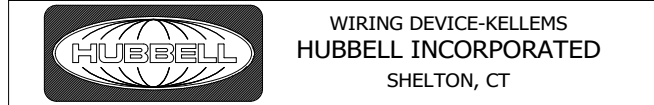
NOTES:

1. ALL DIMENSIONS ARE IN INCHES AND [MILLIMETERS].
2. HUBS ARE SOLD IN PAIRS.
3. FOR USE WITH THE FOLLOWING METALLIC FLOOR BOXES: CFB2G30, CFB2G30CR, CFB2G30R, CFB2G30RCR, CFB2G30E, CFB2G30CRE, CFB2G30RE, CFB2G30RCRE, CFB4G30, CFB4G30CR, CFB4G30R, CFB4G30RCR, CFB4G30E, CFB4G30CRE, CFB4G30RE, CFB4G30RCRE, CFB6G30, CFB6G30CR, CFB6G30R, CFB6G30RCR, CFB6G30E, CFB6G30CRE, CFB6G30RE, CFB6G30RCRE, CFB10G55, CFB10G55CR, CFB10G55R, CFB10G55RCR, CFB10G55E, CFB10G55CRE, CFB10G55RE, CFB10G55RCRE, CFB45G55E, CFB45G55CRE, CFB45G55RE, CFB45G55RCRE, CFBS1R4SFB, CFBS1R4SFBRCR.
4. FOR USE WITH THE FOLLOWING NON-METALLIC FLOOR BOXES: CFB4G30PFBE, CFB4G30PFBRE.
5. REDUCERS INCLUDE: (2) 1" REDUCERS, (2) 3/4" REDUCERS, AND (2) 1/2" REDUCER/PLUGS.
6. FASTENERS INCLUDED, NOT SHOWN.
7. PRODUCT IS cULus LISTED. COMPLIES WITH UL 651.

1	ORIGINAL RELEASE PER EC 200917000629	SBW	9/21/2020
REV	DESCRIPTION	APP	DATE

THE DESIGN AND DIMENSIONS OF THE PRODUCT SHOWN ON THIS DRAWING ARE SUBJECT TO CHANGE WITHOUT NOTICE. DIMENSIONS ARE IN INCHES [mm].

TITLE
1-1/4" NON-METALLIC CONDUIT HUBS WITH REDUCERS



TOLERANCES UNLESS OTHERWISE SPECIFIED .XX = ± .01 .XXX = ± .005 ANGLE TOL. ±2'	DR. BY SBW CHK. BY	SCALE 1 / 2 DATE 9/17/2020
---	-----------------------	-------------------------------

DIMENSION SHEET FOR CAT. NO. CFBHUB125PVC

B

M-14135

1