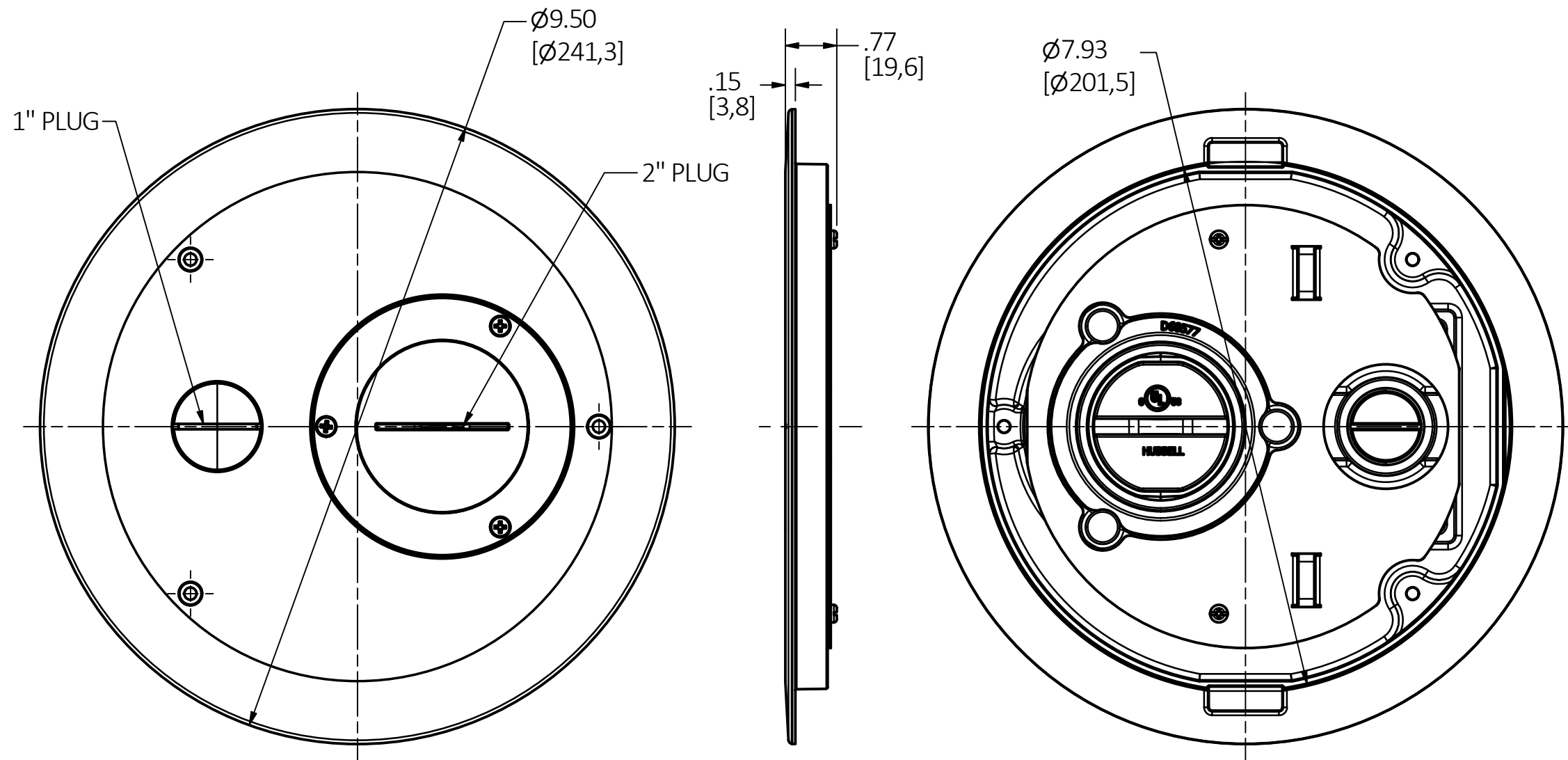


M-14150

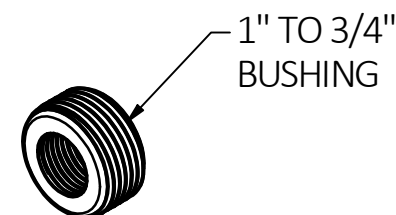
1



CATALOG NUMBER	FINISH
S1R8FFCVRALU	BRUSHED ALUMINUM
S1R8FFCVRBLK	BLACK POWDER COAT
S1R8FFCVRBRS	BRASS PLATED
S1R8FFCVRBRZ	BRONZE PLATED
S1R8FFCVRGRY	GRAY POWDER COAT
S1R8FFCVRNKL	SATIN NICKEL PLATED

NOTES:

1. ALL DIMENSIONS ARE IN INCHES AND [MILLIMETERS].
2. SUPPLIED WITH (3) MOUNTING SCREWS (NOT SHOWN).
3. ALL UNITS SUPPLIED WITH (1) REDUCING BUSHING 1" TO 3/4", SHIPPED LOOSELY IN BAG.
4. PRODUCT IS cULus LISTED.



LIST OF PARTS		
DESCRIPTION	MATERIAL	FINISH
COVER	ALUMINUM	SEE TABLE
LOW VOLTAGE COVER	ALUMINUM	SEE TABLE
COVER GASKET	FOAM RUBBER	BLACK
COVER SCREWS	STEEL	SEE TABLE
MOUNTING SCREWS	STEEL	SEE TABLE
FIRE BARRIER	FIRE BAR. MATL.	GRAY
FIRE BARRIER COVER	STEEL	GALVANIZED
2" CLOSURE PLUG	ALUMINUM	SEE TABLE
1" CLOSURE PLUG	ZINC	SEE TABLE
REDUCING BUSHING 1" TO 3/4"	STEEL	ZINC PLATE

1	RELEASED PER DCN200430105554	AD	4/30/20
REV	DESCRIPTION	APP	DATE

THE DESIGN AND DIMENSIONS OF THE PRODUCT SHOWN ON THIS DRAWING ARE SUBJECT TO CHANGE WITHOUT NOTICE.

TITLE
COVER, FURNITURE FEED,
8 INCH FRPT



WIRING DEVICE-KELLEMS
HUBBELL INCORPORATED
SHELTON, CT

TOLERANCES UNLESS OTHERWISE SPECIFIED .XX = ± .01 .XXX = ± .005 ANGLE TOL. ±2'	DR. BY AD	SCALE 1/2
	CHK. BY	DATE 8/23/19

DIMENSION SHEET FOR CAT. NO. SEE TABLE

B

M-14150

1